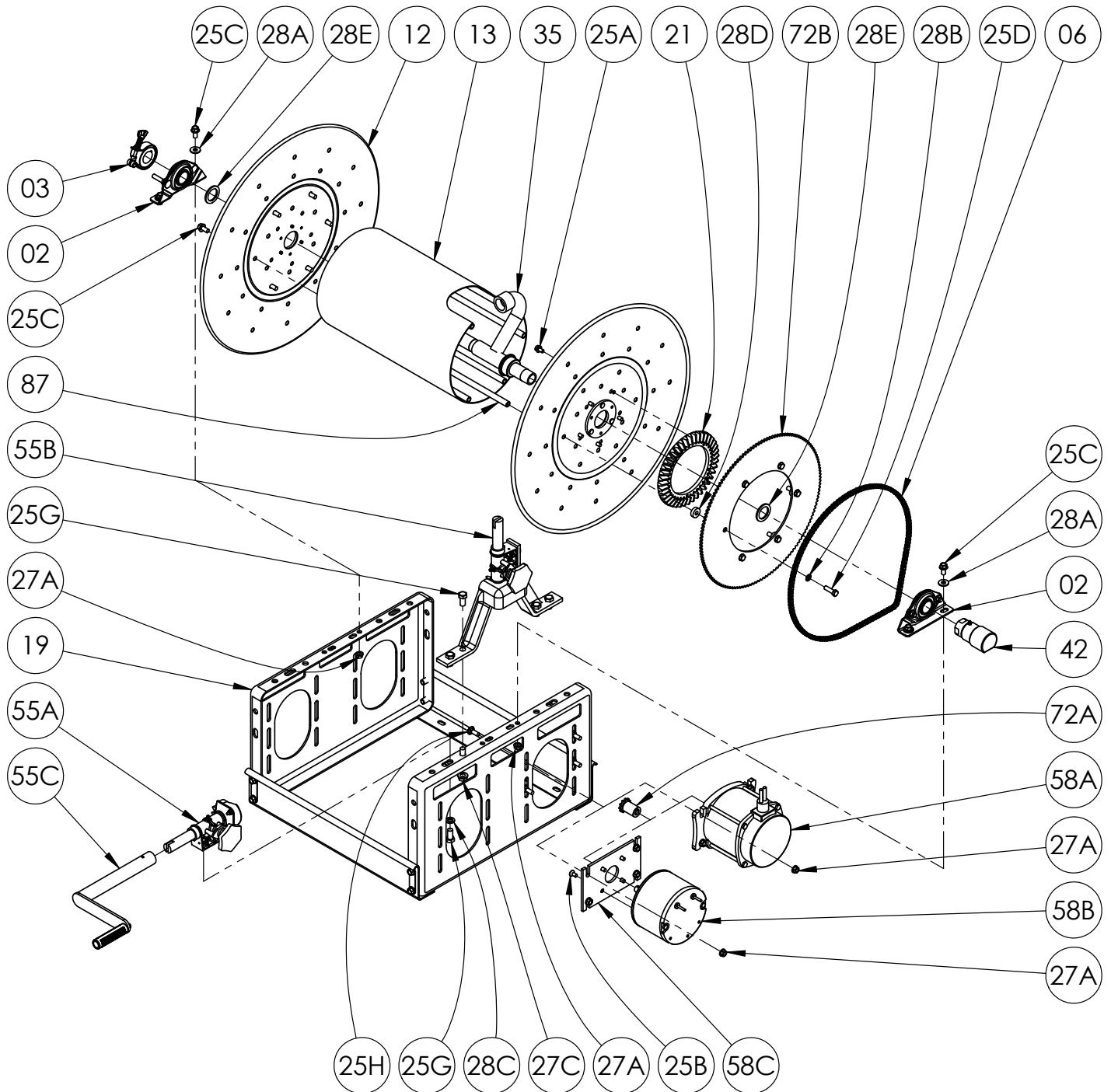


**ISO 84**  
**PARTS LIST**  
**1" HOSE REELS**



**PARTS LIST  
ISO 84  
1"Hose Reels**

**When Ordering Parts  
BE SURE TO SPECIFY COMPLETE MODEL NUMBER and SERIAL NUMBER OF REEL  
USE PART NUMBER!**

<u>Item No.</u>	<u>Description</u>	<u>Part No.</u>	<u>Qty</u>
02	1" Pipe-Size Self Aligning Bearing Complete (see ISO-210 for parts) .....	9902.1400	2
03	Band (Comet) Brake (Bearing Mounted) Complete (see ISO-212 for parts).....	9947.0090	1
06	#35 Chain .....	Specify Model	1
12	Disc Assembly .....	Specify Model/Serial #	2
13	Drum, 10-1/2" Dia 14 Gauge Steel (Specify Model - up to 32" width).....	9905.3131	1
19	Large Steel Pressed Frame Assembly - Up to 30-31 (Specify Model) .....	9908.3000	1
19	Small Steel Pressed Frame Assembly - Up to 23-24 (Specify Model) (not shown).....	9908.2000	1
21	H-26 Ring Gear (Up to 25-26) .....	9914.0372	1
21	H-28 Ring Gear (26-27 and above) (not shown) .....	9914.0382	1
25A	5/16"-18 x 1/2" Spinlock Bolt (for H-26 Ring Gear) .....	9904.2158	5
25B	5/16"-18 x 5/8" Hex Flat Head Socket Screw .....	9958.0027	4
25C	3/8"-16 x 3/4" Spinlock Bolt .....	9904.2201	10 or 16
25D	3/8"-16 x 1-1/4" Hex Head Cap Screw (for 138T35 Sprocket) .....	9904.1203	6
25E	3/8"-16 x 1" Spinlock Bolt (for H-28 Ring Gear) (not shown).....	9904.2202	6
25F	3/8"-16 x 1" Button Socket Head Cap Screw (for 180T35 Sprocket) (not shown).....	9904.9202	6
25G	1/2"-13 x 1" Hex Head Bolt.....	9904.1402	2 or 4
25H	3/8"-16 x 1" Steel Carriage Bolt w/ Nut (for Motor Plate) (includes 27A).....	9904.0200	4
27A	3/8"-16 Spinlock Nut.....	9904.6200	8
27B	3/8" Hex Head Jam Nut (for 180T35 Sprocket) (not shown).....	9965.0012	6
27C	1/2"-13 Spinlock Nut (for Vertical Rewind) .....	9904.5400	4
28A	3/8" Flat Washer .....	9954.0007	4
28B	3/8" Internal Tooth Lock Washer (for 138T35 Sprocket).....	9954.0095	6
28C	1/2" Split Lock Washer (Armor Coat).....	9954.0030	2
28D	EH-765 Special Spacer for Disc Sprocket (1" x 5/16" w/ 3/8" Hole).....	9954.0017	6
28E	1" Hub Spacer Washer - Plated (1-7/8" OD x 1-5/16" ID x 1/8" Thick).....	9954.0021	As Req.
29A	Woodruff Key #9 (3/16" x 3/4") (for Explosion Proof Motor and Strap Brake) (not shown) .....	9916.0080	2
29B	Woodruff Key #61 (3/16" x 5/8") (for Non-Explosion Proof Motor) (not shown) .....	9916.0081	1
35	1" Steel Hub Assembly - Thru H2M (Specify Model/Serial Number).....	9901.1600	1
42	1" 90 FxF Steel 4000 PSI Super Swivel Joint (GLT VITON) (HR42-0004).....	9929.8552	1
55A	Manual Rewind Assembly w/ H-27 (for reels up to and including 25-26) (see ISO-209 for parts) .....	9914.0200	1
55A	Manual Rewind Assembly w/ H-29 (for reels over 25-26) (see ISO-209 for parts).....	9914.0210	1
55B	VR-2 Vertical Rewind Assembly w/ H-27 (see ISO-209 for parts).....	9914.0223	1
55C	H-18 Steel Hand Crank - 10" Length (E-Coated) (see ISO-214 for parts) .....	9914.0011	1
58A	SX-001 12V DC Flange Mount 1/2 HP 650 RPM Explosion Proof Motor.....	9915.0003	1
58B	AN-227 12V DC Face Mount 1/3 HP 650 RPM Non-Explosion Proof Motor.....	9915.0042	1
58C	Motor Mounting Plate (for Non-Explosion Proof Motor), per P66A-00030 (GH-131) .....	9923.0008	1
72A	11T35 Motor Sprocket, 1-5/16" Long (Plated) .....	9910.1118	1
72A	11T35 Motor Sprocket, 1-3/4" Long (Plated) (for Non-Explosion Proof Motors) .....	9910.1119	1
72B	138T35 Disc Sprocket, 16-5/8" Dia - for 23-24 and 25-26 Discs.....	9910.1423	1
72B	112T35 Disc Sprocket, 13-3/8" Dia - for 19-21 Discs (not shown) .....	9910.1321	1
72B	180T35 Disc Sprocket, 21-3/4" Dia - for 30-31 Discs (not shown).....	9910.1526	1
87	Anodized Aluminum Threaded Spacer Pipe.....	Specify Model	6