



# Hannay Reels®

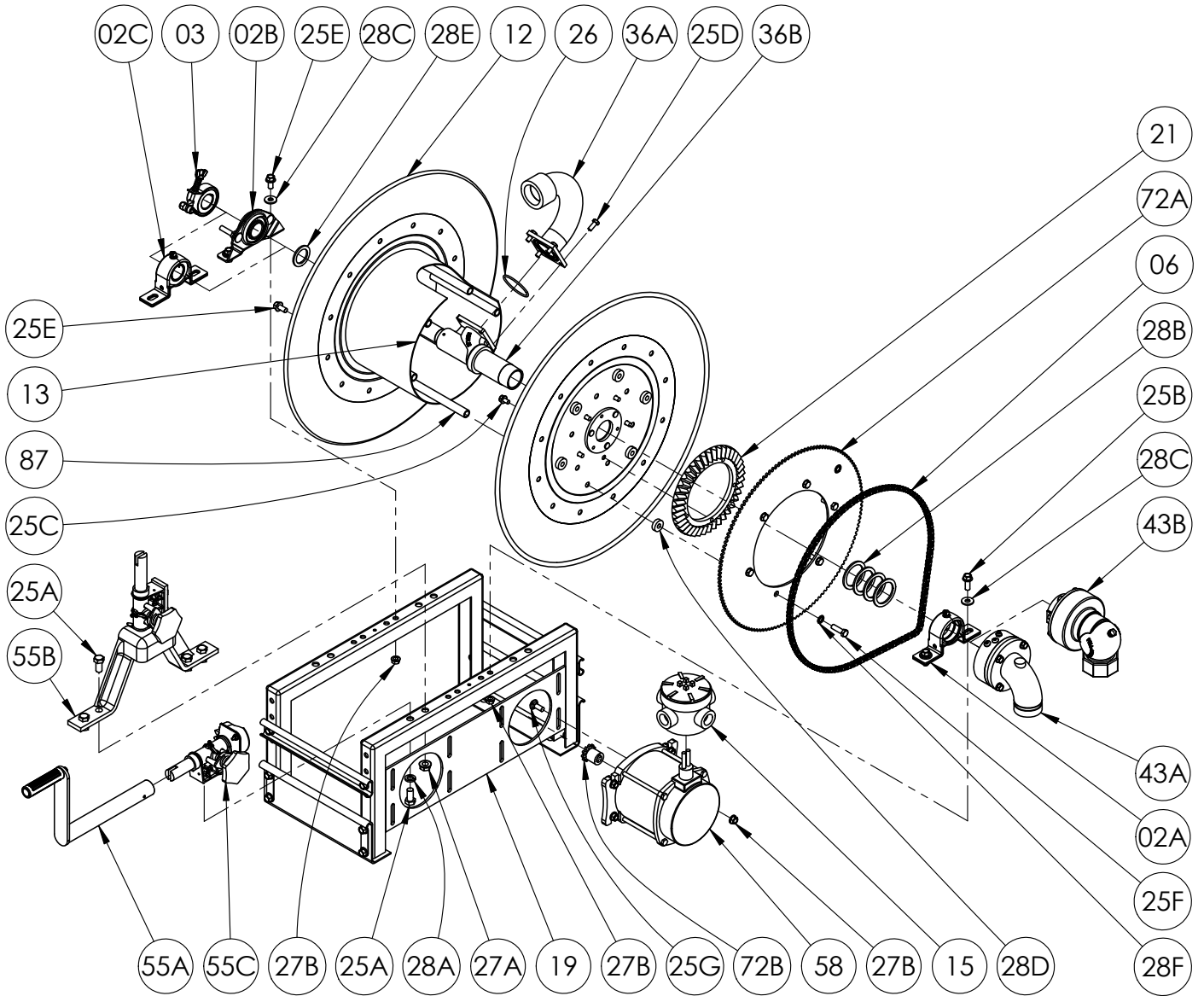
The reel leader.

Hannay Reels, Inc.  
 553 State Route 143, Westerlo, NY 12193  
 www.hannay.com  
 Email: reels@hannay.com

Phone 1-518-797-3791  
 Toll Free 1-877-GO-REELS (467-3357)  
 Fax 1-800-REELING (733-5464)  
 Int'l Fax 1-518-797-3259

## ISO 41 PARTS LIST

**1-1/2" Hose Reel  
 Manual or Power Rewind  
 Roll Form Frame (< 36" disc size)**



**PARTS LIST  
ISO 41**

**1-1/2" Hose Reel Manual or Power Rewind Roll Form Frame (< 36" disc size)**

**When Ordering Parts  
BE SURE TO SPECIFY COMPLETE MODEL NUMBER and SERIAL NUMBER OF REEL  
USE PART NUMBER!**

<u>Item No.</u>	<u>Description</u>	<u>Part No.</u>	<u>Qty</u>
02A	1-1/2" Split Bronze Strap Bearing Complete (see ISO-211 for parts).....	9902.1612	1
02B	1" Pipe-Size Self Aligning Bearing Complete (see ISO-210 for parts) .....	9902.1400	1
02C	1" Pipe-Size Strap Bearing Complete - for LPG reels (see ISO-211 for parts).....	9902.1630	1
03	Band (Comet) Brake (Bearing Mounted) Complete (see ISO-212 for parts).....	9947.0090	1
06	#35 Chain .....	Specify Model	1
12	Disc Assembly (Specify Front or Back) .....	Specify Model	2
13	Drum, 10-1/2" Dia 14 Gauge Steel (Specify Model up to 32" width) .....	9905.3131	1
15	Red Dot 5 Port Round Junction Box & Cover w/ 2 Plugs .....	9917.0061	1
19	1-1/2" Steel Roll Form Frame Assembly .....	9908.0155	1
21	H-26 Ring Gear .....	9914.0372	1
21	H-28 Ring Gear (not shown).....	9914.0382	1
25A	1/2"-13 x 1" Hex Head Bolt.....	9904.1402	2 or 4
25B	3/8"-16 x 1" Spinlock Bolt .....	9904.2202	2
25C	5/16"-18 x 1/2" Spinlock Bolt (for H-26 Ring Gear) .....	9904.2158	5
25D	5/16"-18 x 3/4" Hex Head Cap Screw (Grade 8).....	9904.1101	4
25E	3/8"-16 x 3/4" Spinlock Bolt .....	9904.2201	8
25F	3/8"-16 x 1-1/4" Hex Head Cap Screw (for 138T35 Sprocket) .....	9904.1203	6
25G	3/8"-16 x 1" Steel Carriage Bolt w/ Nut (for Motor Plate) (includes 27B).....	9904.0200	4
26	2-5/8" (BUNA) O-Ring for 1-1/2" Riser .....	9965.0028	1
26	2-5/8" (VITON) O-Ring for 1-1/2" Riser (Red Mark) .....	9965.0029	1
27A	1/2"-13 Spinlock Nut.....	9904.5400	4
27B	3/8"-16 Spinlock Nut.....	9904.6200	8
28A	1/2" Split Lock Washer (Armor Coat).....	9954.0030	2
28B	1-1/2" Hub Spacer Washer - Plated (2.5" OD x 1.920 ID x 0.125" Thick) .....	9954.0022	As Req'd
28C	3/8" Flat Washer .....	9954.0007	4
28D	EH-765 Special Spacer for Disc Sprocket (1" x 5/16" w/ 3/8" Hole).....	9954.0017	6
28E	1" Hub Spacer Washer - Plated (1-7/8" OD x 1-5/16" ID x 1/8" Thick).....	9954.0021	As Req'd
28F	3/8" Internal Tooth Lock Washer (for 138T35 Sprocket).....	9954.0095	6
29	Woodruff Key #9 (3/16" x 3/4") (for Explosion Proof Motor and Strap Brake) (not shown) ...	9916.0080	2
36A	1-1/2" Iron Pipe Riser (Specify Model, Riser Fitting Size & Thread) (includes 26).....	9901.3760	1
36A	1-1/2" FIPT Aluminum Riser-for Jet Fuel (Specify Model, Riser Fitting Size & Thread (includes 26)....	9901.3762	1
36B	1-1/2" Flange Iron Pipe Hub (Specify Model/Serial #).....	9901.3640	1
36B	1-1/2" Flange Aluminum Hub - for Jet Fuel (Specify Model/Serial #) .....	9901.3642	1
43A	1-1/2" 90 Degree 1000 PSI FxFxVIC WHJ-1590 Joint (BUNA Packing).....	9930.4210	1
43A	1-1/2" 90 Degree 1000 PSI FxFxVIC WHJ-1590 Joint (VITON Packing).....	9930.4220	1
43A	1-1/2" 90 Degree 600 PSI FxFxVIC WHJ-1590-AL Joint - for Jet Fuel (BUNA Packing) ...	9930.4312	1
43B	1-1/2" 90 Degree FxF Steel 350 PSI Full Circle Joint (for LP Gas).....	9930.0531	1
55A	H-18 Steel Hand Crank - 10" Length (E-Coated) (see ISO-214 for parts) .....	9914.0011	1
55B	VR-2 Vertical Rewind Assembly w/ H-27 Pinion (see ISO-209 for parts).....	9914.0223	1
55C	Manual Rewind Assembly w/ H-27 Pinion (see ISO-209 for parts) .....	9914.0200	1
55C	Manual Rewind Assembly w/ H-29 Pinion (see ISO-209 for parts) (not shown) .....	9914.0210	1
58	SX-001 12V DC Flange Mount 1/2 HP 650 RPM Explosion Proof Motor.....	9915.0003	1
72A	112T35 Disc Sprocket, 13-3/8" Dia. (E-Coated) (for 19-20 discs).....	9910.1321	1
72A	138T35 Disc Sprocket, 16-5/8" Dia. (E-Coated) (for 23-24 and 25-26 discs) .....	9910.1423	1
72A	180T35 Disc Sprocket, 21-3/4" Dia. (E-Coated) (for 30-31 discs).....	9910.1526	1
72B	11T35 Motor Sprocket, 1-5/16" Long.....	9910.1118	1
87	Anodized Aluminum Threaded Spacer Pipe.....	Specify Model	6