



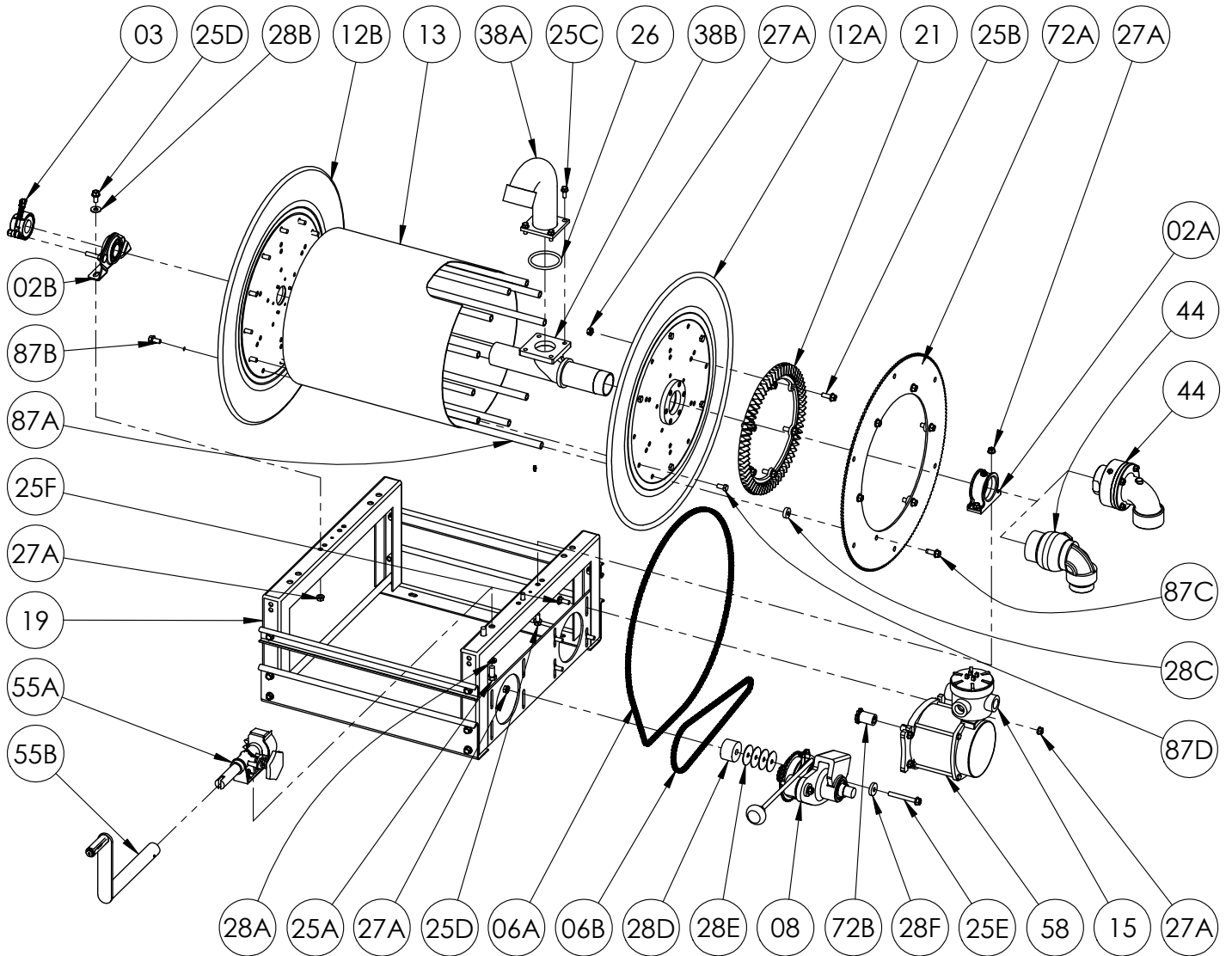
Hannay Reels®
The reel leader.

Hannay Reels, Inc.
553 State Route 143, Westerlo, NY 12193
www.hannay.com
Email: reels@hannay.com

Phone 1-518-797-3791
Toll Free 1-877-GO-REELS (467-3357)
Fax 1-800-REELING (733-5464)
Int'l Fax 1-518-797-3259

ISO 35
PARTS LIST

2" HOSE REELS



Hannay ISO Parts Lists are available
at www.hannay.com

**PARTS LIST
ISO 35
2" HOSE REELS**

**When Ordering Parts
BE SURE TO SPECIFY COMPLETE MODEL NUMBER and SERIAL NUMBER OF REEL
USE PART NUMBER!**

<u>Item No.</u>	<u>Description</u>	<u>Part No.</u>	<u>Qty</u>
02A	H-42B Front Bearing.....	9902.2300	1
02B	1" Self-Aligning Bearing Complete, (See ISO-210 for Parts)	9902.1400	1
03	Bearing Mounted Strap Brake Assembly (See ISO-212 for Parts).....	9947.0090	1
06A	Chain, #35, For Disc Sprocket.....	Specify Model	1
06A	Chain, #40, For Disc Sprocket.....	Specify Model	1
06B	Chain, #35, For Clutch/Reduction	Specify Model	1
08	Reduction Unit (See ISO-155 for Parts)	Specify Model	1
08	Manual Clutch & Reduction Unit (See ISO-160 for Parts).....	Specify Model	1
08	Electric Clutch & Reduction Unit (See ISO-249 for Parts).....	Specify Model	1
12A	Front Disc	Specify Model	1
12B	Back Disc.....	Specify Model/Serial #	1
13	Drum, 15-1/2" Diameter (Specify Model).....	9905.3171	1
15	Red Dot Round Junction Box, Cover and 2 Plugs.....	9917.0060	1
19	Frame Assembly	Specify Model	1
21	H-28 Ring Gear	9914.0382	1
25A	1/2"-13 x 1" Hex Head Bolt	9904.1402	2
25B	3/8"-16 x 1" Spinlock Bolt	9904.2202	6
25C	5/16"-18 x 3/4" Hex Head Cap Screw	9904.1101	4
25D	3/8"-16 x 3/4" Spinlock Bolt	9904.2201	4
25E	3/8"-16 x 1-1/4" Spinlock Bolt (For Reduction Unit).....	9904.2203	2
25E	3/8"-16 x 3" Hex Head Bolt (For Clutch/Reduction Unit)	9904.1208	2
25F	3/8"-16 x 1" Carriage Bolt.....	9904.0200	4
26	3-1/8" O.D. O-Ring for 2" Riser	9965.0027	1
27A	3/8"-16 Spinlock Nut.....	9904.6200	16
27B	3/8"-16 Spinlock Nut (For Clutch/Reduction Unit)	9904.6200	2
28A	1/2" Lock Washer	9954.0030	2
28B	3/8" Flat Washer	9954.0007	2
28C	Sprocket Spacer (5/16" Thick).....	9954.0017	6
28D	Clutch Spacer (2" OD x 1-1/4" thick)	9954.0049	2
28E	Clutch Spacer (2" OD x 1/32" thick)	9954.0048	As Needed
28F	Spacer for Clutch Mtg. Bolts (1.25" OD x 13/32" ID x 1/4" thick)	9954.0047	2
38A	2" Iron Riser.....	9901.5760	1
38A	2" Aluminum Riser	9901.5762	1
38B	2" Iron Hub Only (Specify Model/Serial Number)	9901.5640	1
38B	2" Aluminum Hub Only (Specify Model/Serial Number)	9901.5642	1
44	2" 90° FxF WHJ2290 Swivel Joint (Buna Seals for air/water).....	9931.4521	1
44	2" 90° FxF WHJ290 Swivel Joint (Viton Seals for petroleum).....	9931.4210	1
44	2" 90° FxV Aluminum Swivel Joint (for Jet Fuel)	9931.6302	1
55A	Manual Bevel Gear Rewind Assembly (See ISO-209 for Parts).....	Spec. Model	1
55B	H-18 Crank Handle (10" Length) Complete (See ISO-214 for Parts).....	9914.0011	1
58	SX-001 12V DC 1/2 HP Explosion Proof Motor.....	9915.0003	1
72A	Disc Sprocket, 180T35 (used on disc sizes up to 35-36).....	9910.1526	1
72A	Disc Sprocket, 146T40 (used on disc sizes 39-40 and up).....	9910.3128	1
72B	11T35 Motor Sprocket	9910.1118	1
87A	Anodized Threaded Spacer Pipe.....	Specify Model	6
87B	3/8"-16 x 3/4" Spinlock Bolt (For Use with Anodized Threaded Spacer Pipe).....	9904.2201	12
87C	3/8"-16 x 1" Spinlock Bolt (For Use with Anodized Threaded Spacer Pipe).....	9904.2202	6
87D	3/8"-16 x 3/4" Hex Head Cap Screw (For Use with Anodized Threaded Spacer Pipe)...	9904.1201	6
87E	3/8" Aluminum Spacer Pipe (Not Shown).....	Specify Model	12
87F	3/8"-16 Carriage Bolt w/ Nut (For Use with 3/8" Aluminum Spacer Pipe) (Not Shown)...	Specify Model	12