

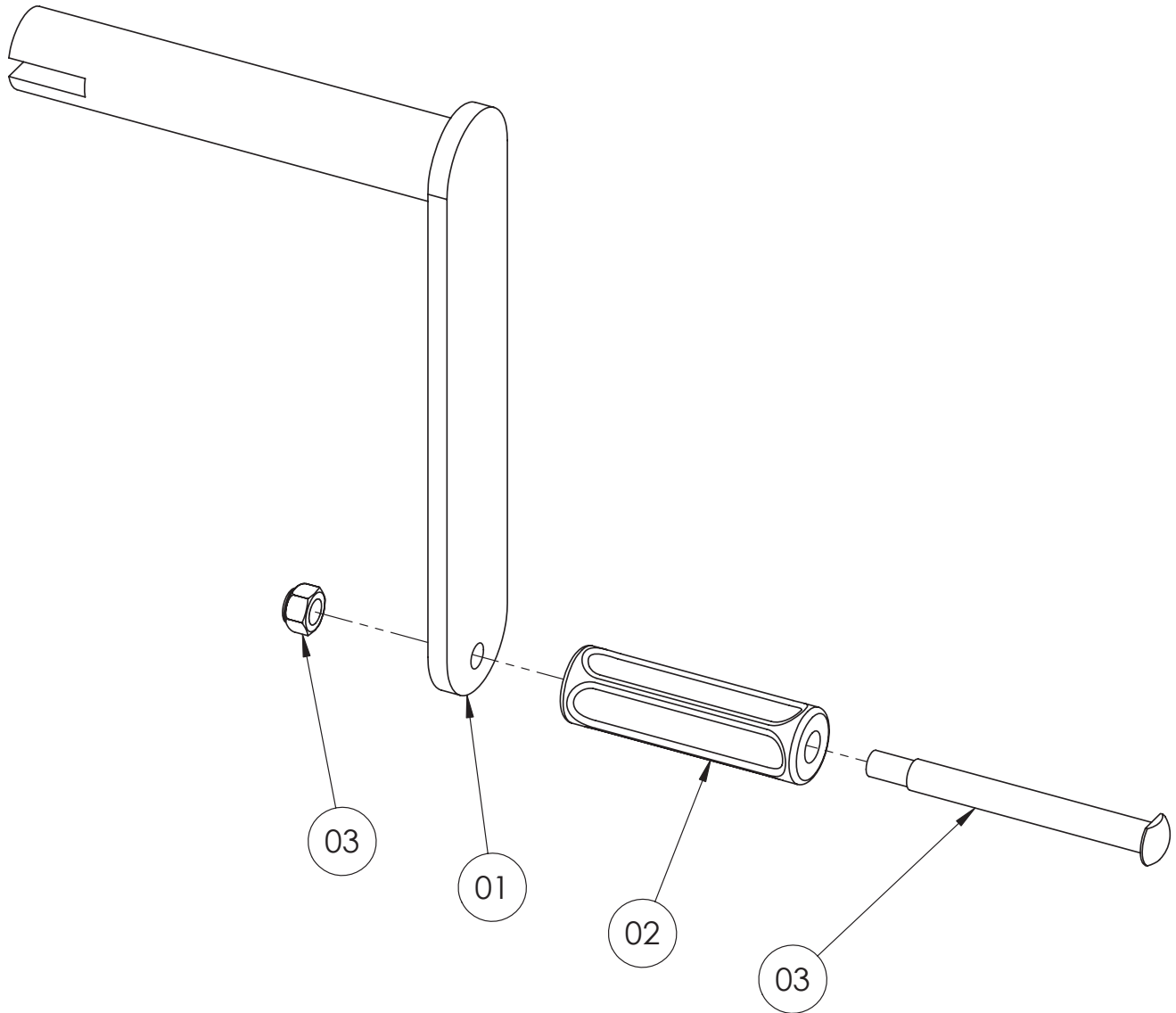


Hannay Reels, Inc.
553 State Route 143, Westerlo, NY 12193
www.hannay.com
Email: reels@hannay.com

Phone 1-518-797-3791
Toll Free 1-877-GO-REELS (467-3357)
Fax 1-800-REELING (733-5464)
Int'l Fax 1-518-797-3259

ISO 256 PARTS LIST

1" Pinned Hub Crank Handle Assembly



Hannay ISO Parts Lists are available
at www.hannay.com

PARTS LIST
ISO 256
1" Pinned Hub Crank Handle Assembly

When Ordering Parts
BE SURE TO SPECIFY COMPLETE MODEL NUMBER and SERIAL NUMBER OF REEL
USE PART NUMBER!

<u>Item No.</u>	<u>Description</u>	<u>Part No.</u>	<u>Quantity</u>
-	Removable Crank Handle Assembly for 4000/3000/1600/1300 Series Reels	9914.0031	1
-	Stainless Steel Removable Crank Handle Assembly for 4000/3000/1600/1300 Series Reels.....	9914.0034	1
01	Crank Handle Weldment for 4000/3000/1600/1300 Series Reels.....	9914.0032	1
01	Stainless Steel Crank Handle Weldment for 4000/3000/1600/1300 Series Reels	9914.0035	1
02	Hand Crank Handle	9914.0506	1
03	Hand Crank Handle Bolt w/ Nut.....	9914.0511	1