

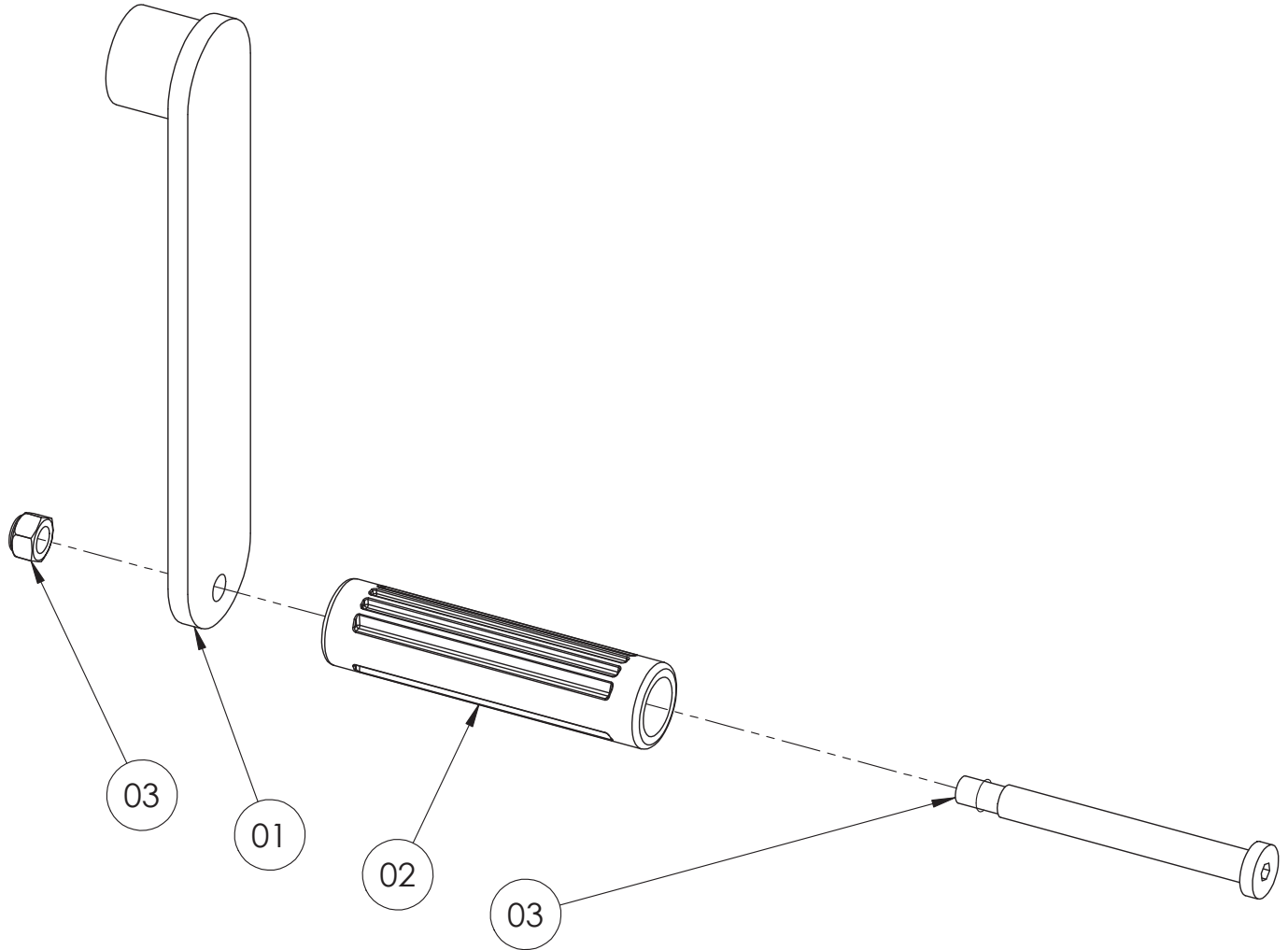


Hannay Reels, Inc.
553 State Route 143, Westerlo, NY 12193
www.hannay.com
Email: reels@hannay.com

Phone 1-518-797-3791
Toll Free 1-877-GO-REELS (467-3357)
Fax 1-800-REELING (733-5464)
Int'l Fax 1-518-797-3259

ISO 255 PARTS LIST

1/2" & 1" Threaded Crank Handle Assembly



Hannay ISO Parts Lists are available
at www.hannay.com

PARTS LIST
ISO 255
1/2" & 1" Threaded Crank Handle Assembly

When Ordering Parts
BE SURE TO SPECIFY COMPLETE MODEL NUMBER and SERIAL NUMBER OF REEL
USE PART NUMBER!

<u>Item No.</u>	<u>Description</u>	<u>Part No.</u>	<u>Quantity</u>
-	Crank Handle Assembly for 1000 Series Reels.....	9914.0020	1
-	Crank Handle Assembly for 1500/1100 Series Reels.....	9914.0021	1
-	Crank Handle Assembly for 1800/1200 Series Reels.....	9914.0041	1
-	Crank Handle Assembly for Stainless Steel 1500/1100 Series Reels.....	9914.0024	1
-	Crank Handle Assembly for Stainless Steel 1800/1200 Series Reels.....	9914.0044	1
01	1000 Series Crank Handle Weldment	9914.0029	1
01	1500/1100 Series Crank Handle Weldment	9914.0028	1
01	1800/1200 Series Crank Handle Weldment	9914.0042	1
01	Stainless Steel 1500/1100 Series Crank Handle Weldment.....	9914.0025	1
01	Stainless Steel 1800/1200 Series Crank Handle Weldment	9914.0045	1
02	Hand Crank Handle	9914.0506	1
03	Hand Crank Handle Bolt w/ Nut.....	9914.0511	1