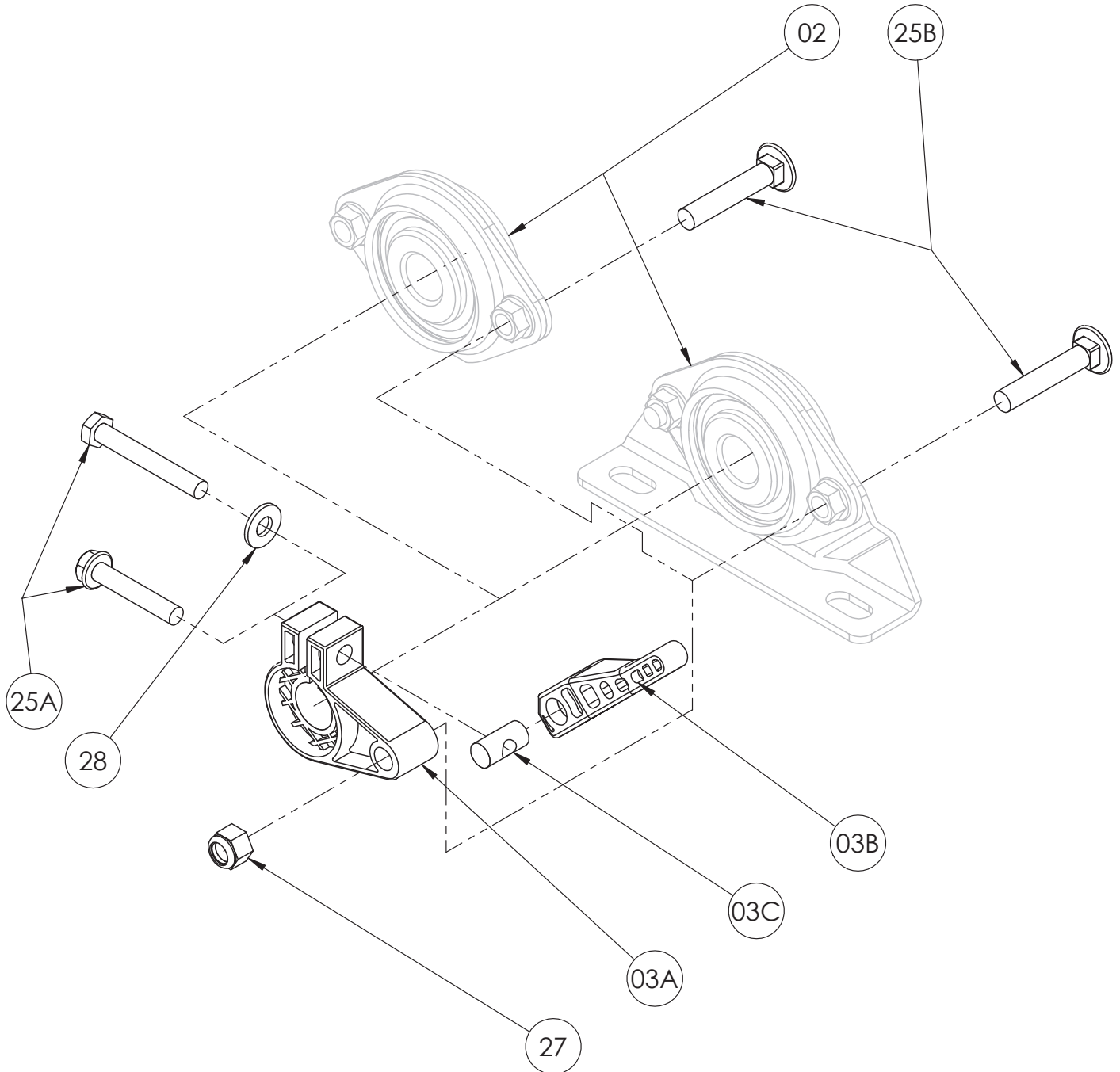


ISO 254
PARTS LIST
CAM-LOCK
BRAKE ASSEMBLY



**PARTS LIST
ISO 254
Cam-Lock Brake Assembly**

**When Ordering Parts
BE SURE TO SPECIFY COMPLETE MODEL NUMBER and SERIAL NUMBER OF REEL
USE PART NUMBER!**

<u>Item No.</u>	<u>Description</u>	<u>Part No.</u>	<u>Quantity</u>
-	Cam-Lock Brake Assembly for 1100/1500 Reels	9947.0130	1
-	Cam-Lock Brake Assembly for 4000 Reels	9947.0140	1
-	Cam-Lock Brake Assembly for 1100/1500 Reels w/ Stainless Hardware	9947.0129	1
-	Cam-Lock Brake Assembly for 4000 Reels w/ Stainless Hardware	9947.0139	1
02	Self Aligning Bearing Complete (Sold Separately)	Spec Model	1
03A	Camlock Drag Brake Body for 1100/1500 Reels	9947.0131	1
03A	Camlock Drag Brake Body for 4000 Reels	9947.0141	1
03B	Cam-Lock Lever	9947.0132	1
03C	Brass Barrel Nut for Cam-Lock Brakes	9947.0133	1
25A	5/16"-18 x 1-3/4" Hex Head Bolt w/ Nylock Patch	9947.0134	1
25A	5/16"-18 x 1-3/4" Stainless Steel Hex Head Bolt w/ Nylock Patch	9947.0137	1
25A	5/16"-18 x 2-1/4" Hex Head Bolt w/ Nylock Patch (for 4000 Reels)	9904.1107	1
25A	5/16"-18 x 2-1/4" Stainless Steel Hex Head Bolt (for 4000 Reels)	9947.0138	1
25B	3/8"-16 x 2" Carriage Bolt (Replaces x1 Bearing Carriage Bolt)	9904.0206	1
25B	Stainless Steel 3/8"-16 x 2" Carriage Bolt (Replaces x1 Bearing Carriage Bolt).....	9960.0097	1
27	3/8"-16 Hex Head Nut (ESNA)	9904.5201	1
27	3/8"-16 Stainless Steel Hex Head Nut (ESNA)	9960.0098	1
28	5/16" SAE Washer (for 4000 Reels) (Not Shown)	9954.0006	1
28	5/16" Stainless Steel Washer (for 4000 Reels) (Not Shown)	9960.0094	1