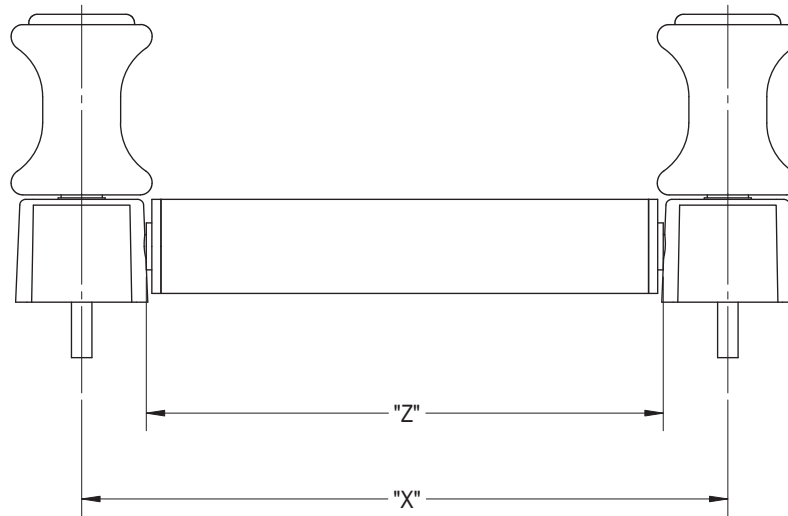


**When Ordering Parts BE SURE TO SPECIFY COMPLETE MODEL NUMBER and SERIAL NUMBER OF REEL
USE PART NUMBER!**

<u>Item No.</u>	<u>Description</u>	<u>Part No.</u>	<u>Quantity</u>
04	FH-302-2 (2" Trunnion Bearing)	9940.0008	2
25A	3/8"-16 x 6-1/2" Hex Head Bolt.....	9940.0017	2
25B	3/8"-16 Double-Ended Stud W/ Hex (Per KDF-2361)	9940.0301	4
27	3/8"-16 Spinlock Nut.....	9904.6200	6
28A	FH-3 Roller Bushing.....	9940.0018	2
28B	Nylon washer (1" OD x 7/16" ID x 0.032" thick)	9940.0014	2
28C	3/8" Flat Washer.....	9954.0007	2
70A	FH-301 Spool (chrome-plated), per P70A-01610.....	9940.0005	2
70B	FH-302 Block (chrome-plated)	9940.0006	2
70C	FH-309-P Black Plastic Cap.....	9940.0002	2
70D	FH-3 Bottom-Wind Mounting Bracket Steel Pair	9940.0058	1
70D	FH-3 Bottom-Wind Mounting Bracket Aluminum Pair.....	9940.0059	1
70E	FH-3 Center Mounting Bracket Steel (Specify Model).....	9940.0062	1
70E	FH-3 Center Mounting Bracket Aluminum (Specify Model).....	9940.0066	1
81	FH-304 SST Roller Rod (Specify Length)	9940.0009	1
91	FH-305 2" SST Roller Tubing (Polished) (Specify Length).....	9940.0010	1
Complete Assemblies (Mounting brackets (70D and 70E) must be ordered separately)			
N/A	FH Spool Assembly (Pair) (Less SST Roller, Rod & Trunnion Bearings).....	9940.0013	1
N/A	FH-3 Complete Roller & Spool Assembly (Specify Length, up to 30" Drum)	9939.0042	1
N/A	FH-3 Complete Roller & Spool Assembly (Specify Length, 31" to 50" Drums)	9939.0043	1
N/A	FH-3 Bottom Wind Mounting Brackets (W/ Hardware).....	9941.0024	1
N/A	Stainless Steel FH-3 Bottom Wind Mounting Brackets (W/ Hardware).....	9941.0026	1

**ISO 252
BOTTOM WIND FH-3 ROLLER MODELS**



FH Roller Model	Hannay Part Number	Drum Length (in)	Roller Length "Z" w/bushings (in)	Mtg. Hole "X" Dimension (in)
FH-306	9939.0027	6.0	6.5	9.25
FH-307.5	9939.0029	7.5	8.0	10.75
FH-308	9939.0021	8.0	8.5	11.25
FH-309.5	9939.0030	9.5	10.0	12.75
FH-310	9939.0022	10.0	10.5	13.25
FH-311.5	9939.0031	11.5	12.0	14.75
FH-312	9939.0028	12.0	12.5	15.25
FH-313.5	9939.0032	13.5	14.0	16.75
FH-314	9939.0024	14.0	14.5	17.25
FH-315.5	9939.0033	15.5	16.0	18.75
FH-316	9939.0025	16.0	16.5	19.25
FH-317.5	9939.0034	17.5	18.0	20.75
FH-318	9939.0026	18.0	18.5	21.25
FH-320	9939.0035	20.0	20.5	23.25
FH-322	9939.0036	22.0	22.5	25.25
FH-324	9939.0037	24.0	24.5	27.25
FH-326	9939.0038	26.0	26.5	29.25
FH-328	9939.0039	28.0	28.5	31.25
FH-329.5	9939.0040	29.5	30.0	32.75
FH-330	9939.0020	30.0	30.5	33.25
FH-338	9939.0041	38.0	38.5	41.25
All other lengths	9939.0042	---	---	---

*NOTES: 1) Actual roller tubing cut length is 5/8" less than "Z" dimension.
2) FH cross-bracket piece is always 6" longer than drum length of reel.*