

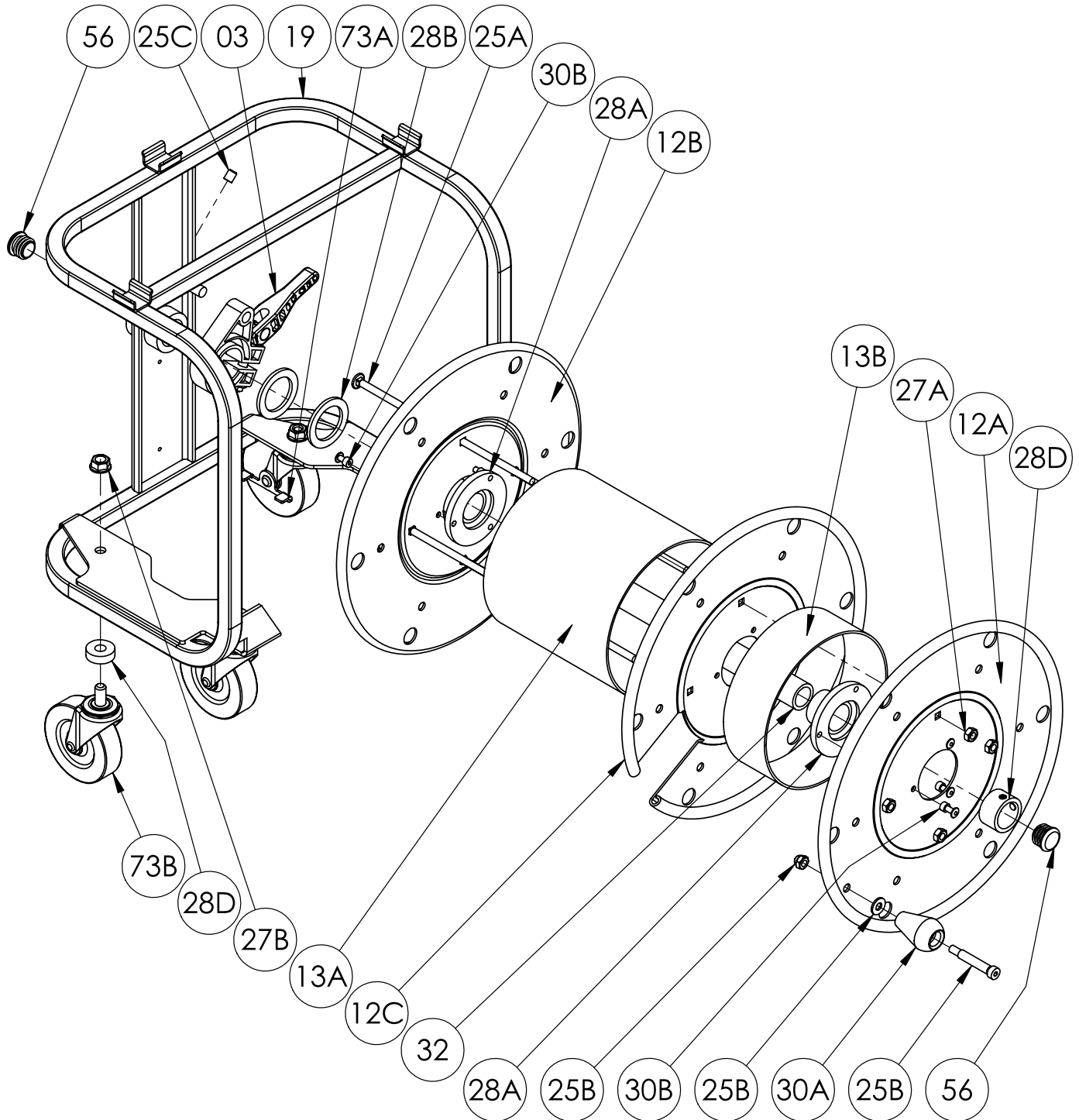


Hannay Reels®

The reel leader.

Hannay Reels, Inc., 553 State Route 143
Westerlo, NY 12193-0159
Telephone 518-797-3791 • Toll Free 1-877-GO-REELS (467-3357)
FAX 1-800-REELING (733-5464)
INT'L FAX (518) 797-3259
Website: www.hannay.com
E-mail: reels@hannay.com

ISO 222 PARTS LIST MODEL AVD - 1



**PARTS LIST
ISO 222
MODEL AVD - 1**

When ordering parts
**BE SURE TO SPECIFY COMPLETE MODEL NUMBER and SERIAL NUMBER OF REEL.
USE PART NUMBER!**

<u>Item No.</u>	<u>Description</u>	<u>PART NUMBER</u>	<u>Quantity</u>
03	Cam Lever Drag Brake Kit for AV Reels.....	9947.0140	1
12A	AVD-1 Front Disc (11-3/4" Dia.), per A12A-00140 (Includes 28A & 30C)	9949.0041	1
12B	AVD-1 Back Disc (11-3/4" Dia.), per A12A-00020 (Includes 28A & 30C).....	9949.0002	1
12C	AVD-1 Divider Disc (11-3/4" Dia.), per P12A-00440	9949.0003	1
13A	AVD-1 Drum (6" Dia. x 6" Long).....	9949.0025	1
13B	AVD-1 Drum (6" Dia. x 2" Long).....	9949.0028	1
19	AVD-1 Frame Assembly, per P19A-00040.....	9949.0011	1
25A	1/4"-20 x 10" Carriage Bolt.....	9949.0051	4
25B	5/16" Shoulder Bolt w/ Washer and Nut for Oval Handle	9914.0531	1
25C	5/16"-18 x 3/8" Long Set Screw w/ Nylock (For Hub Collar on Frame)	9958.0007	2
27A	1/4"-20 Finish Hex Nut w/ Black Zinc.....	9958.0059	4
27B	3/8"-16 Spinlock Nut (For Casters).....	9904.6200	4
28A	Zinc/Aluminum Disc Washer/ Brake Arbor (For AV Reels).....	9949.0211	2
28B	1-5/16" I.D. x 1-7/8" O.D. x 1/8" Thick Washer (Yellow Zinc)	9954.0021	2
28C	1" O.D. x 9/16" I.D. x 5/16" Thick Spacer (For Casters)	9954.0016	4
28D	1" I.D. Shaft Collar w/ Set Screws, per P28A-00790	9955.0250	1
30A	Oval Hand Crank Knob	9914.0565	1
30B	3/16" x 3/8" Grip SST Blind Pop Rivets (For AV Disc Washers).....	9949.0212	6
32	AVD-1 Hub, per P32A-00421	9949.0032	1
56	Hub End Cap (CCF- 7/8 14-20) (For Plugging AV Hub).....	9958.0062	2
73A	3" O.D. Caster	9949.0070	2
73B	3" O.D. Locking Caster.....	9949.0071	2
73C	3" O.D. Caster Kit (Includes Casters (73A & 73B), Nuts (27B) and Wrench)...	9949.0072	1