



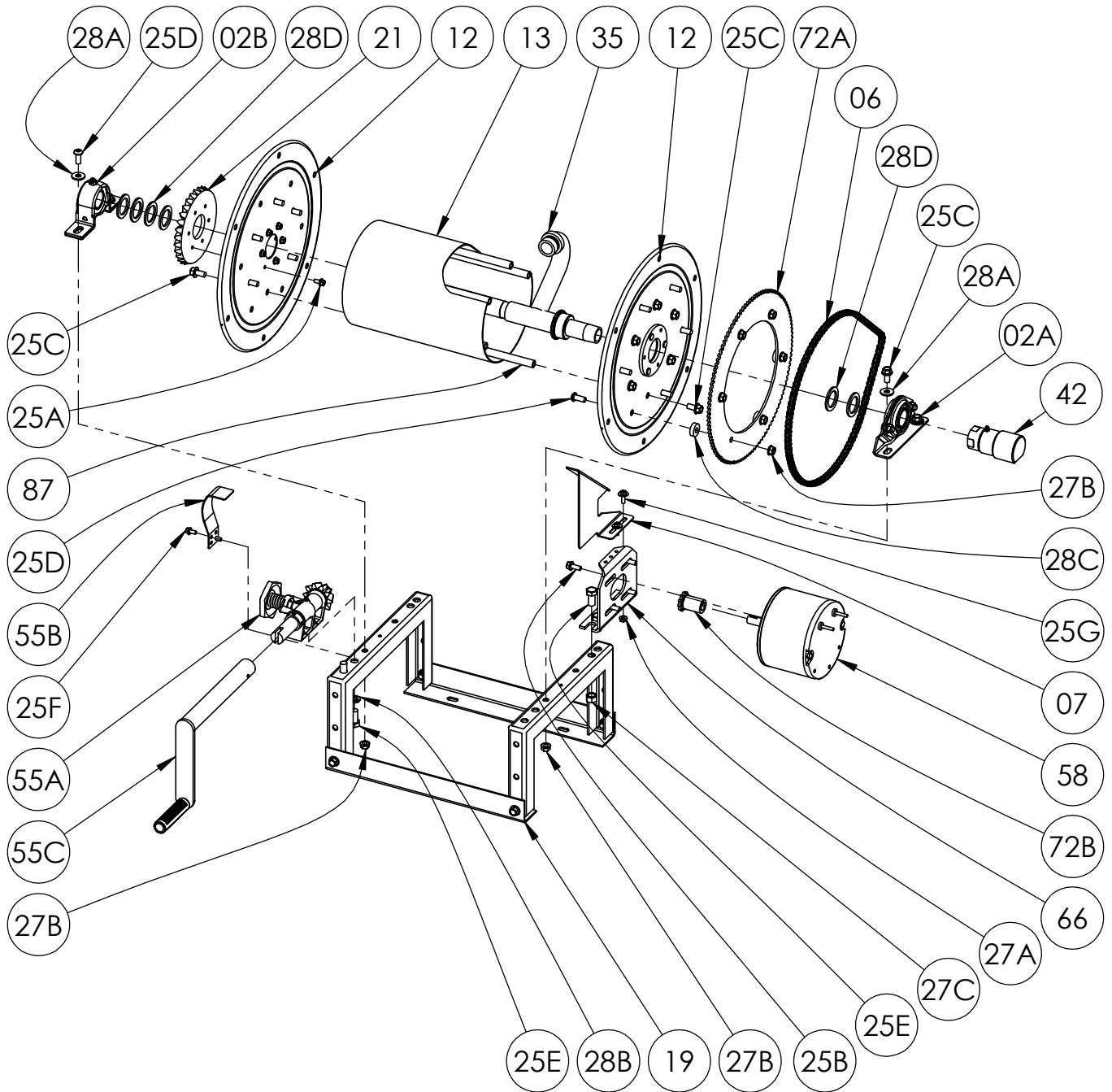
**Hannay Reels®**  
The reel leader.

Hannay Reels, Inc.  
553 State Route 143, Westerlo, NY 12193  
www.hannay.com  
Email: reels@hannay.com

Phone 1-518-797-3791  
Toll Free 1-877-GO-REELS (467-3357)  
Fax 1-800-REELING (733-5464)  
Int'l Fax 1-518-797-3259

**ISO 216**  
PARTS LIST

**4100 & F4100 SERIES**



**PARTS LIST**  
**ISO 216**  
**4100 & F4100 Series**

**When Ordering Parts**  
**BE SURE TO SPECIFY COMPLETE MODEL NUMBER and SERIAL NUMBER OF REEL**  
**USE PART NUMBER!**

<u>Item No.</u>	<u>Description</u>	<u>Part No.</u>	<u>Quantity</u>
02A	1" Self Aligning Bearing Complete (See ISO-210 for Parts).....	9902.1400	1
02B	1" Strap Bearing Complete (See ISO-211 for Parts) .....	9902.1630	1
06	#35 Chain-116 Links (43-1/2") w/ Connecting Link .....	9912.0028	1
07	Chain Guard for 4100 Series Reels (Specify Model).....	9957.0035	1
12	Disc, 16-1/2" Dia., 14 GA. w/ disc washer .....	9903.0721	2
13	Drum, 8" Dia. (Specify Model) .....	9905.3121	1
19	1-1/2" Rollform Frame Assembly (Spec Model) .....	9908.0140	1
21	Ring Gear for 8" Drums .....	9914.0360	1
25A	1/4" -20 x 1/2" Hex Head Spinlock Cap Screw .....	9904.1058	6
25B	5/16-18 x 5/8" Long Hex Head Flanged Bolt .....	9904.1159	4
25C	3/8-16 x 3/4" Spin Lock Bolt .....	9904.2201	15
25D	3/8-16 x 1" Button Head Cap Screw.....	9904.9202	7
25E	1/2-13 x 1" Hex Head Bolt .....	9904.1402	4
25F	1/4" -20 x 1/2" Hex Washer Head Tap Tite Screw .....	9904.1070	2
25G	1/4"-20 x 3/4" Hex Washer Head Black Zinc Screw .....	9904.1071	2
27A	1/4"-20 Small Flange Spin Lock Nut (For Chainguard) .....	9904.6000	2
27B	3/8"-16 Spin Lock Nut.....	9904.6200	10
27C	1/2"-13 Spin Lock Nut (For Motorplate).....	9904.5400	2
28A	3/8" Flat Washer .....	9954.0007	4
28B	1/2" Lock Washer .....	9954.0030	2
28C	Disc Sprocket Spacer (1" O.D. x 0.381" I.D. X 1/2" Thick).....	9954.0015	6
28D	1" Hub Spacer Washer, 1/8" Thick .....	9954.0021	As Req'd
35	1" Hub Assembly (Specify Model and Riser Fitting) .....	9901.1600	1
42	1" 90° FxF Full Flow Super Swivel Joint with GLT Viton Packing.....	9929.8552	1
55A	Horizontal Manual Rewind Assembly (For 8" Drums) (See ISO-209 for Parts).....	9914.0221	1
55B	Horizontal Manual Rewind Gear Guard for Reels w/ 8" drums .....	9914.0620	1
55C	H-18 Crank Handle (10" Length) Complete (See ISO-214 for Parts).....	9914.0011	1
58	AN-227 12V DC Face Mount 1/3 HP 650 RPM Motor.....	9915.0042	1
58	AN-239 12V DC Face Mount 1/5 HP 420 RPM Motor (Optional).....	9915.0040	1
66	Motor Mounting Plate .....	9923.0006	1
72A	112T35 x 13-3/8" Dia. Disc Sprocket.....	9910.1321	1
72B	11T35 x 1-3/4" Motor Sprocket .....	9910.1119	1
87	Anodized Threaded Spacer Pipe.....	Spec. Model	6