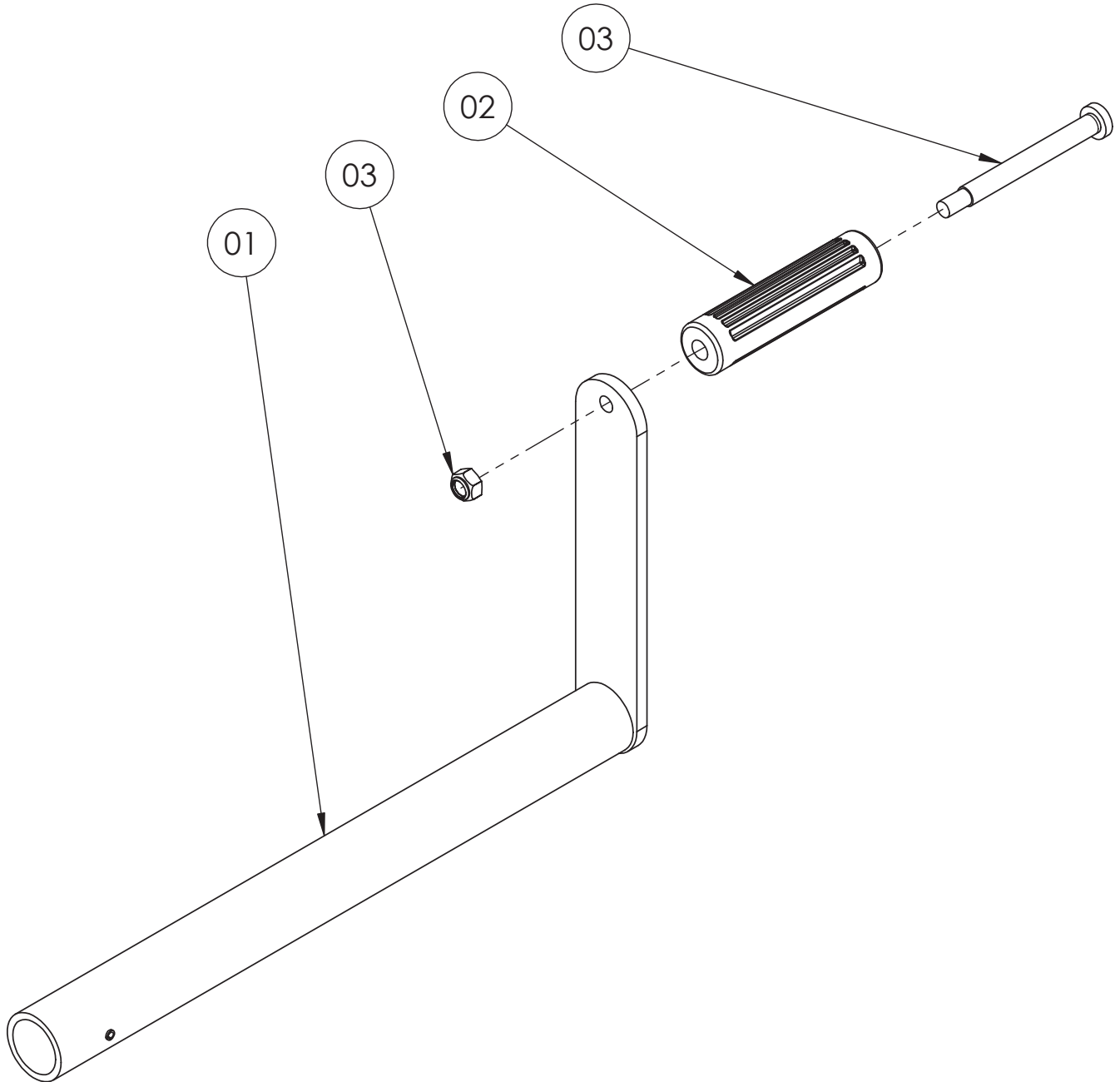


H-18 Crank Handle



**PARTS LIST
ISO 214
H-18 Crank Handle**

**When Ordering Parts
BE SURE TO SPECIFY COMPLETE MODEL NUMBER and SERIAL NUMBER OF REEL
USE PART NUMBER!**

<u>Item No.</u>	<u>Description</u>	<u>Part No.</u>	<u>Quantity</u>
-	H-18 Steel Hand Crank Complete (Standard 10" Length).....	9914.0011	1
-	H-18 Stainless Steel Hand Crank Complete (Standard 10" Length)	9914.0014	1
-	H-18 Steel Hand Crank Complete (Up to 30" Length)~ Spec Length	9914.0090	1
-	H-18 Stainless Steel Hand Crank Complete (Up to 30" Length) ~ Spec Length.....	9914.0092	1
01	H-18 Steel Hand Crank Weldment Only (Standard 10" Length)	9914.0098	1
01	H-18 Stainless Steel Hand Crank Weldment Only (Standard 10" Length).....	9914.0096	1
01	H-18 Steel Hand Crank Weldment Only (Up to 30" Length) ~ Spec Length	9914.0099	1
01	H-18 Stainless Steel Hand Crank Weldment Only (Up to 30" Length) ~ Spec Length.....	9914.0097	1
02	Hand Crank Handle	9914.0506	1
03	Hand Crank Handle Bolt w/ Nut.....	9914.0511	1