

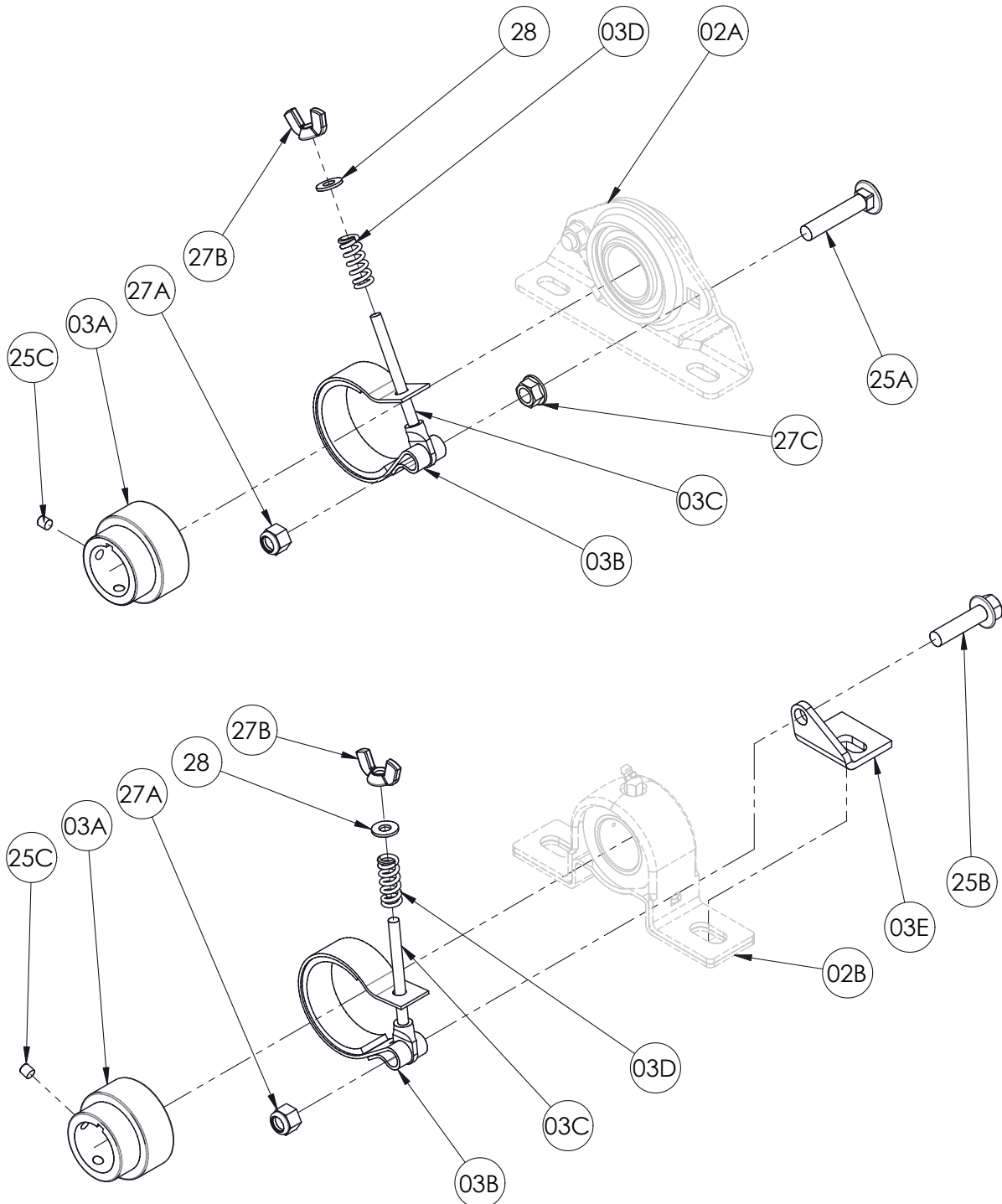


Hannay Reels®

The reel leader.

Hannay Reels, Inc., 553 State Route 143
Westerlo, NY 12193-0159
Telephone 518-797-3791 • Toll Free 877-GO REELS (467-3357)
FAX 1-800-REELING (733-5464)
INT'L FAX (518) 797-3259
Website: www.hannay.com
E-mail: reels@hannay.com

ISO 212 PARTS LIST BEARING MOUNTED STRAP BRAKE ASSEMBLY



PARTS LIST
ISO 212
BEARING MOUNTED STRAP BRAKE ASSEMBLY

When ordering parts

BE SURE TO SPECIFY COMPLETE MODEL NUMBER and SERIAL NUMBER OF REEL.

USE PART NUMBER!

<u>Item No.</u>	<u>Description</u>	<u>PART NUMBER</u>	<u>Quantity</u>
-	Comet Brake Assembly (1.285" Bore) (For Self Aligning Bearing)	9947.0090	-
-	Comet Brake Assembly (1.285" Bore) (For Strap Bearing)	9947.0099	-
-	Comet Brake Assembly (1.5" Bore).....	9947.0063	-
02A	Self Aligning Bearing Assembly (See ISO-210 For Parts)(Purchased Separately)	Spec Model	1
02B	Strap Bearing Assembly (See ISO-211 For Parts)(Purchased Separately)..	Spec Model	1
03A	Comet Brake Hub, Plated, 1.285" Bore.....	9947.0038	1
03A	Comet Brake Hub, Plated, 1.5" Bore.....	9947.0060	1
03B	Comet Brake Strap	9947.0091	1
03C	1/4"-20 Comet Brake Tension Adjustment Rod	9947.0094	1
03D	Stainless Steel Comet Brake Spring	9947.0096	1
03E	Comet Brake Bracket for Strap Brake	9947.0097	1
25A	3/8"-16 x 2" Carriage Bolt (Replaces x1 Bearing Carriage Bolt).....	9904.0206	1
25B	3/8"-16 x 1-1/2" Spinlock Bolt	9904.2204	1
25C	1/4"-20 x 1/4" Allen Set Screw	9958.0002	2
27A	3/8"-16 ESNA Locknut.....	9958.0040	1
27B	1/4"-20 Wing Nut	9947.0095	1
27C	3/8" -16 Spinlock Nut.....	9904.6200	1
28	1/4" Flat Washer	9954.0005	1