

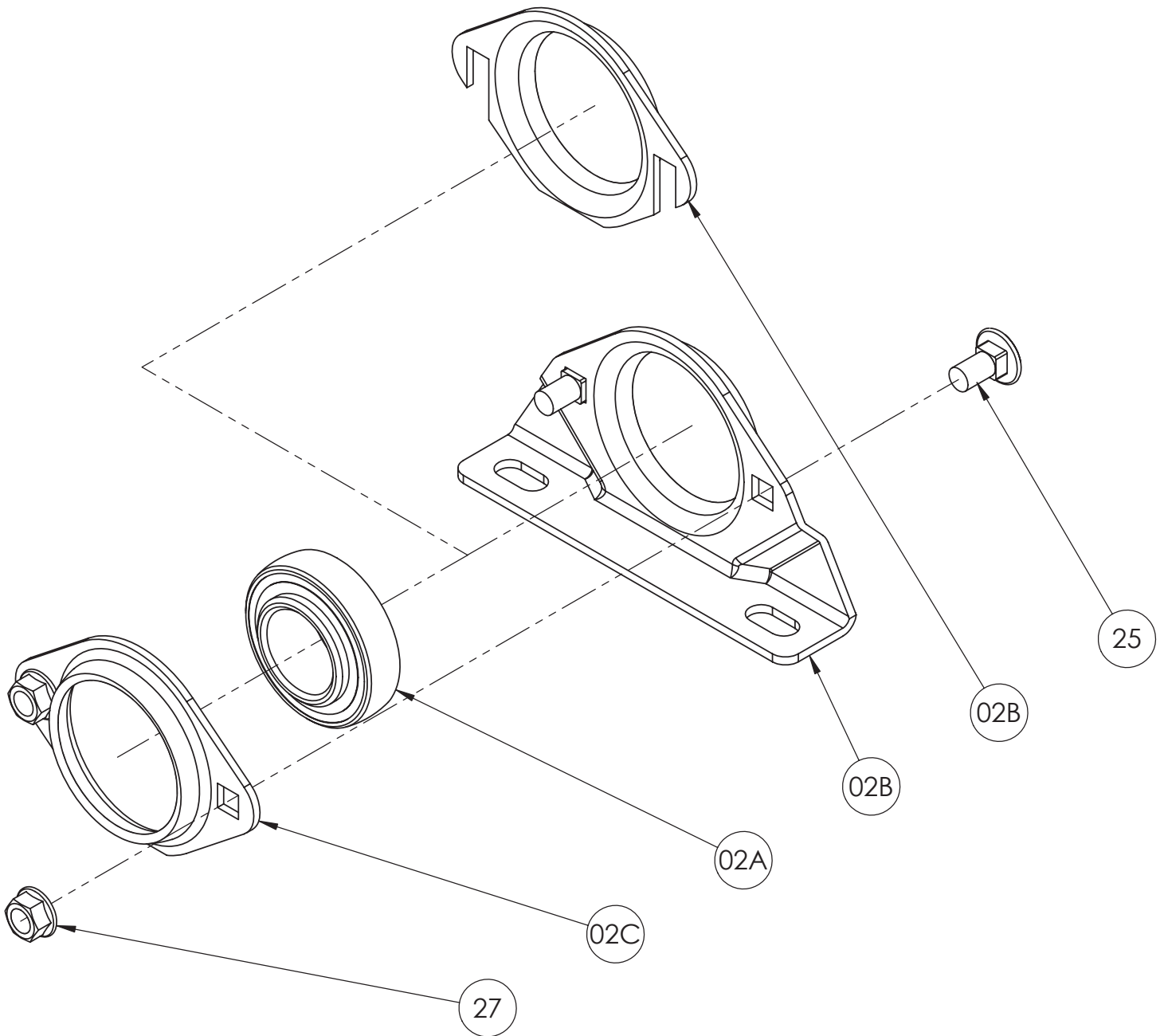


Hannay Reels®

The reel leader.

Hannay Reels, Inc., 553 State Route 143
Westerlo, NY 12193-0159
Telephone 518-797-3791 • Toll Free 877-GO REELS (467-3357)
FAX 1-800-REELING (733-5464)
INT'L FAX (518) 797-3259
Website: www.hannay.com
E-mail: reels@hannay.com

ISO 210 PARTS LIST SELF ALIGNING BEARING ASSEMBLY



**PARTS LIST
ISO 210
SELF ALIGNING BEARING ASSEMBLY**

When ordering parts

BE SURE TO SPECIFY COMPLETE MODEL NUMBER and SERIAL NUMBER OF REEL.

USE PART NUMBER!

<u>Item No.</u>	<u>Description</u>	<u>PART NUMBER</u>	<u>Quantity</u>
-	1/2" Self Aligning Bearing Complete, E-Coated Steel.....	9902.1200	1
-	1/2" Self Aligning Bearing Complete, E-Coated Steel (For 1000 Series)	9902.2610	1
-	1/2" Self Aligning Bearing Complete, Stainless Steel w/ SS Bearing	9902.1272	1
-	1/2" Self Aligning Bearing Complete, Stainless Steel w/ Plated Bearing	9902.1407	1
-	1/2" Self Aligning Bearing Complete, Stainless Steel (For 1000 Series)	9902.2630	1
-	1" Self Aligning Bearing Complete, E-Coated Steel.....	9902.1400	1
-	1" I.D. Self Aligning Bearing Complete, E-Coated Steel w/ Delrin Bearing	9902.1401	1
-	1" Self Aligning Bearing Complete, E-Coated Steel (For N-series) ..	9902.2600	1
-	1" Self Aligning Bearing Complete, Stainless Steel w/ Plated Bearing	9902.1405	1
-	1" Self Aligning Bearing Complete, Stainless Steel w/ SS Bearing ..	9902.1420	1
-	1" Self Aligning Bearing Complete, Stainless Steel (For N-series)...	9902.2620	1
-	1-1/2" (1.5") Self Aligning Bearing Complete	9902.4000	1
02A	Bearing Insert - 1/2" SA Ball Bearing Insert, Plated Steel	9902.1300	1
02A	Bearing Insert - 1/2" SA Ball Bearing Insert, Stainless Steel.....	9902.1270	1
02A	Bearing Insert - 1" SA Ball Bearing Insert, Plated Steel	9902.1500	1
02A	Bearing Insert - 1" SA Ball Bearing Insert, Stainless Steel.....	9902.1520	1
02A	Bearing Insert - 1-1/2" (1.5") SA Ball Bearing Insert, Plated Steel ...	9902.4001	1
02A	Bearing Insert - 1" Bearing Insert for WCR, Delrin	9902.1501	1
02B	Pillow Block, E-Coated Steel, P02A-00070.....	9902.2900	1
02B	Pillow Block, Stainless Steel, P02A-00070	9902.2902	1
02B	Bearing Holder, slotted for N Series, E-Coated Steel, P02A-00090.	9902.2801	1
02B	Bearing Holder, slotted for N Series, Stainless Steel, P02A-00090 .	9902.2904	1
02C	Bearing Holder, E-Coated Steel, P02A-00080.....	9902.2800	1
02C	Bearing Holder, Stainless Steel, P02A-00080	9902.2903	1
25	3/8" -16 x 3/4" Carriage Bolt.....	9904.0201	2
25	3/8" -16 x 3/4" Stainless Steel Carriage Bolt.....	9960.0096	2
27	3/8" -16 Spinlock Nut.....	9904.6200	2
27	3/8" -16 Stainless Steel Spinlock Nut.....	9960.0091	2