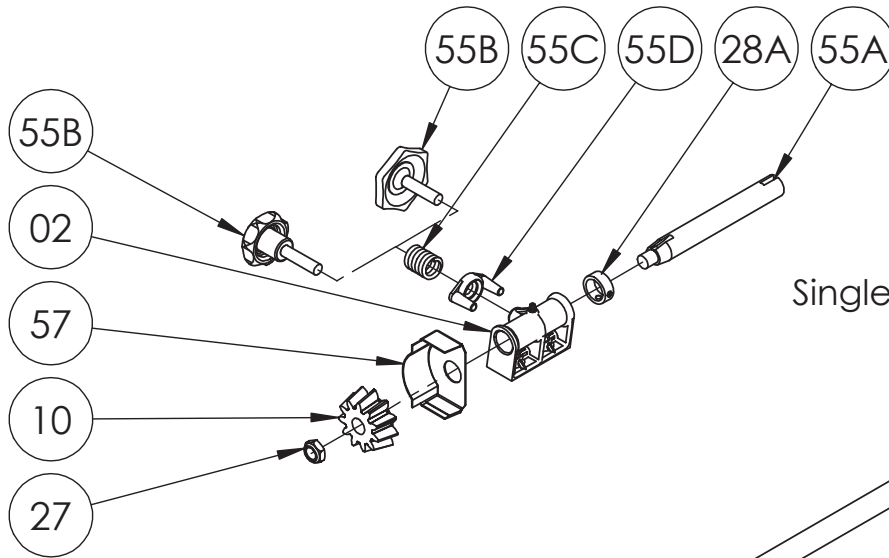
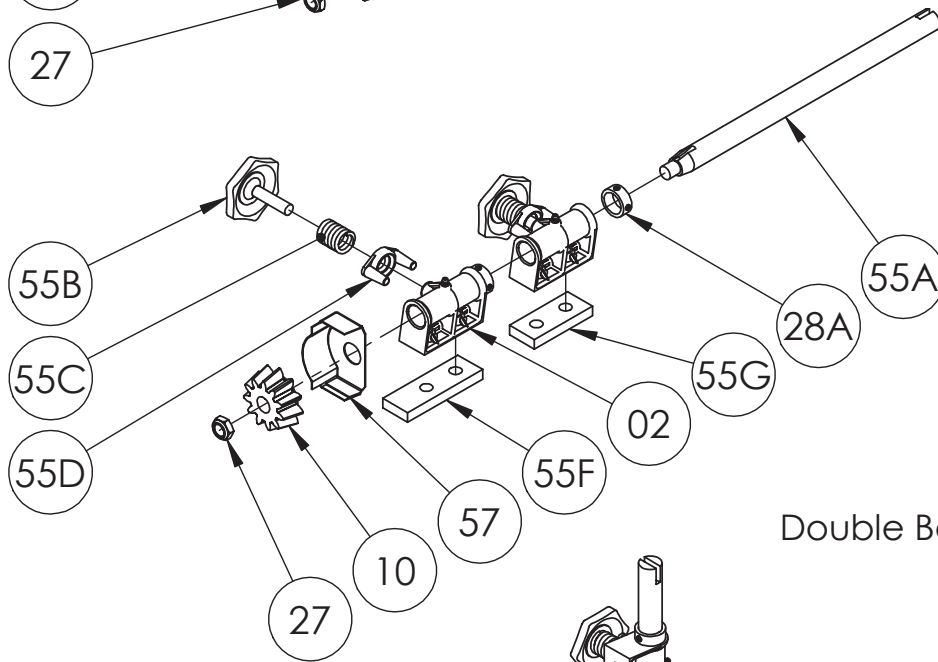


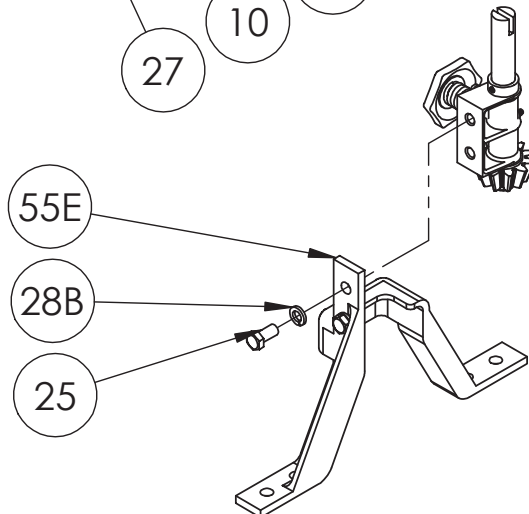
ISO 209
PARTS LIST
MANUAL BEVEL GEAR
REWIND ASSEMBLY



Single Bearing Manual Rewind



Double Bearing Manual Rewind



Vertical Manual Rewind

PARTS LIST
ISO 209
Manual Bevel Gear Rewind Assembly

When Ordering Parts
BE SURE TO SPECIFY COMPLETE MODEL NUMBER and SERIAL NUMBER OF REEL
USE PART NUMBER!

<u>Item No.</u>	<u>Description</u>	<u>Part No.</u>	<u>Quantity</u>
-	Manual Rewind Assembly W/ H-27 (For Reels Up to 25-26)	9914.0200	-
-	Manual Rewind Assembly W/ H-29 (For Reels Over to 25-26)	9914.0210	-
-	CR Manual Rewind Assembly W/ H-27 (For Reels Up to 25-26)	9914.0213	-
-	CR Manual Rewind Assembly W/ H-29 (For Reels Over to 25-26)	9914.0214	-
-	Manual Rewind Assembly for 8" Drum (W/ H-27, 8" Shaft)	9914.0220	-
-	Vertical Rewind Assembly W/ H-27 (For Reels Up to 25-26)	9914.0223	-
02	H2A Pinion Shaft Bearing	9914.0243	1
10	Pinion Gear, H-27 (Up to 25-26)	9914.0393	1
10	Pinion Gear, H-29	9914.0404	1
25	1/2"-13 x 1" Long Hex Head Bolt (For Vertical Rewind Assembly)	9904.1402	2
27	5/8"-16 SAE Hex Head Nut (ESNA)	9904.5600	1
28A	Pinion Shaft Collar w/Set Screw	9914.0351	1
28B	1/2" Lock Washer (For Vertical Rewind Assembly)	9954.0030	2
55A	Pinion Shaft	9914.0250	1
55B	H30A Brake Wheel	9914.0413	1
55B	Plastic Brake Wheel (For CR Reels Only)	9914.0414	1
55C	H31 Brake Spring	9914.0451	1
55D	Brake Pad, H-3	9914.0433	1
55E	Vertical Rewind Bracket (For Vertical Rewind Assembly)	9914.0233	1
57	Gear Guard	9914.0618	1
-	Manual Rewind Assembly (for 8" Drum) (G2000) (Not Shown)	9914.0220	-
-	Manual Rewind Assembly (for 8" Drum) (4100) (Not Shown)	9914.0221	-
02	H2A Pinion Shaft Bearing	9914.0243	1
10	Pinion Gear, H-27	9914.0393	1
27	5/8"-16 SAE Hex Head Nut (ESNA)	9904.5600	1
28A	Pinion Shaft Collar w/Set Screw (Qty 2 needed for G2000)	9914.0351	2
28C	Spacer 1" ID x 1-5/8" OD x 0.075" Thk (For 4100 Series) (Not Shown)	9954.0035	3
55A	Pinion Shaft	9914.0250	1
55B	H30A Brake Wheel	9914.0413	1
55C	H31 Brake Spring	9914.0451	1
55D	Brake Pad, H-3	9914.0433	1
-	Double Bearing Rewind Assembly W/ H-29 (Spec Model)	9914.0211	-
02	H2A Pinion Shaft Bearing	9914.0243	2
10	Pinion Gear, H-29	9914.0404	1
27	5/8"-16 SAE Hex Head Nut (ESNA)	9904.5600	1
28A	Pinion Shaft Collar w/Set Screw	9914.0351	2
55A	Pinion Shaft	9914.0250	1
55B	H30A Brake Wheel	9914.0413	2
55C	H31 Brake Spring	9914.0451	2
55D	Brake Pad, H-3	9914.0433	2
55F	Front H2A Bearing Spacer (For 3"+ Reels)	9914.0249	1
55G	Rear H2A Bearing Spacer (For 3"+ Reels)	9914.0248	1
57	Gear Guard	9914.0618	1