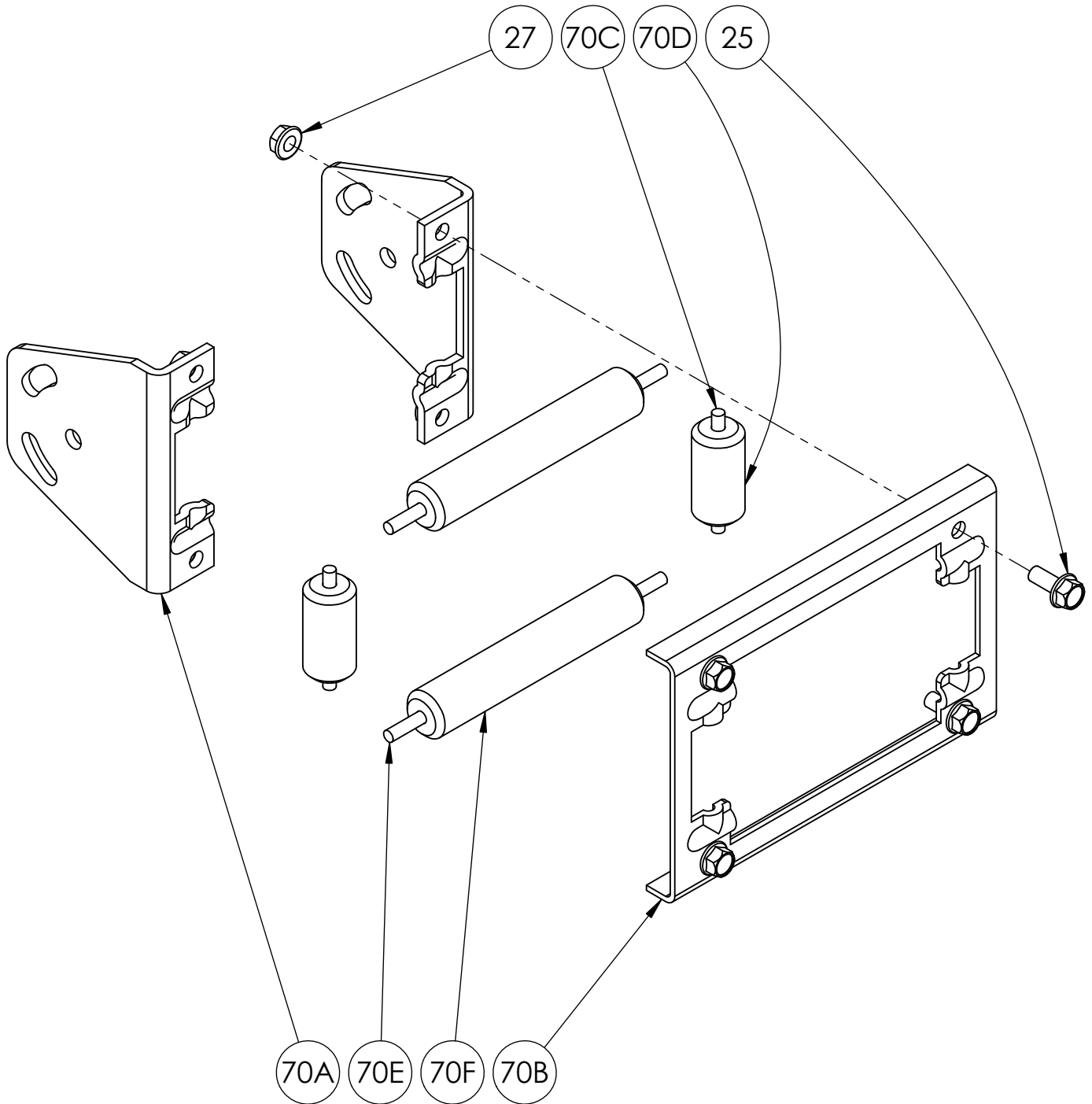


ISO 208
PARTS LIST
N-SERIES
ROLLER ASSEMBLY



**PARTS LIST
ISO 208
N-Series Roller Assembly**

**When Ordering Parts
BE SURE TO SPECIFY COMPLETE MODEL NUMBER and SERIAL NUMBER OF REEL
USE PART NUMBER!**

<u>Item No.</u>	<u>Description</u>	<u>Part No.</u>	<u>Quantity</u>
25	5/16"-18 x 3/4" Spinlock Bolt	9904.2101	4
25	5/16"-18 x 3/4" Stainless Steel Spinlock Bolt	9940.0200	4
27	5/16"-18 Small Flange Spinlock Nut.....	9904.5100	4
27	5/16"-18 Stainless Steel Spinlock Nut	9960.0005	4
70A	N-Series Roller Mounting Bracket, per P70A-00500	9940.0171	2
70A	N-Series Stainless Steel Roller Mounting Bracket, per P70A-00500	9940.0176	2
70B	Roller Bracket Frame.....	Specify Model	1
70B	Stainless Steel Roller Bracket Frame.....	Specify Model	1
70C	Stainless Steel Roller Rod, 1/4" Dia. x 2-11/16" Long (for Vertical Roller)	9940.0190	2
70D	Roller, 1" Dia. x 2" Long, per P70A-00530 (for Vertical Roller).....	9940.0180	2
70E	Stainless Steel Roller Rod, 1/4" Dia. x (Spec. Model)" Long (for Horizontal Roller)	Specify Model	2
70F	Roller, 1" Dia. x (Spec. Model)" Long, per P70A-00530 (for Horizontal Roller).....	Specify Model	2