

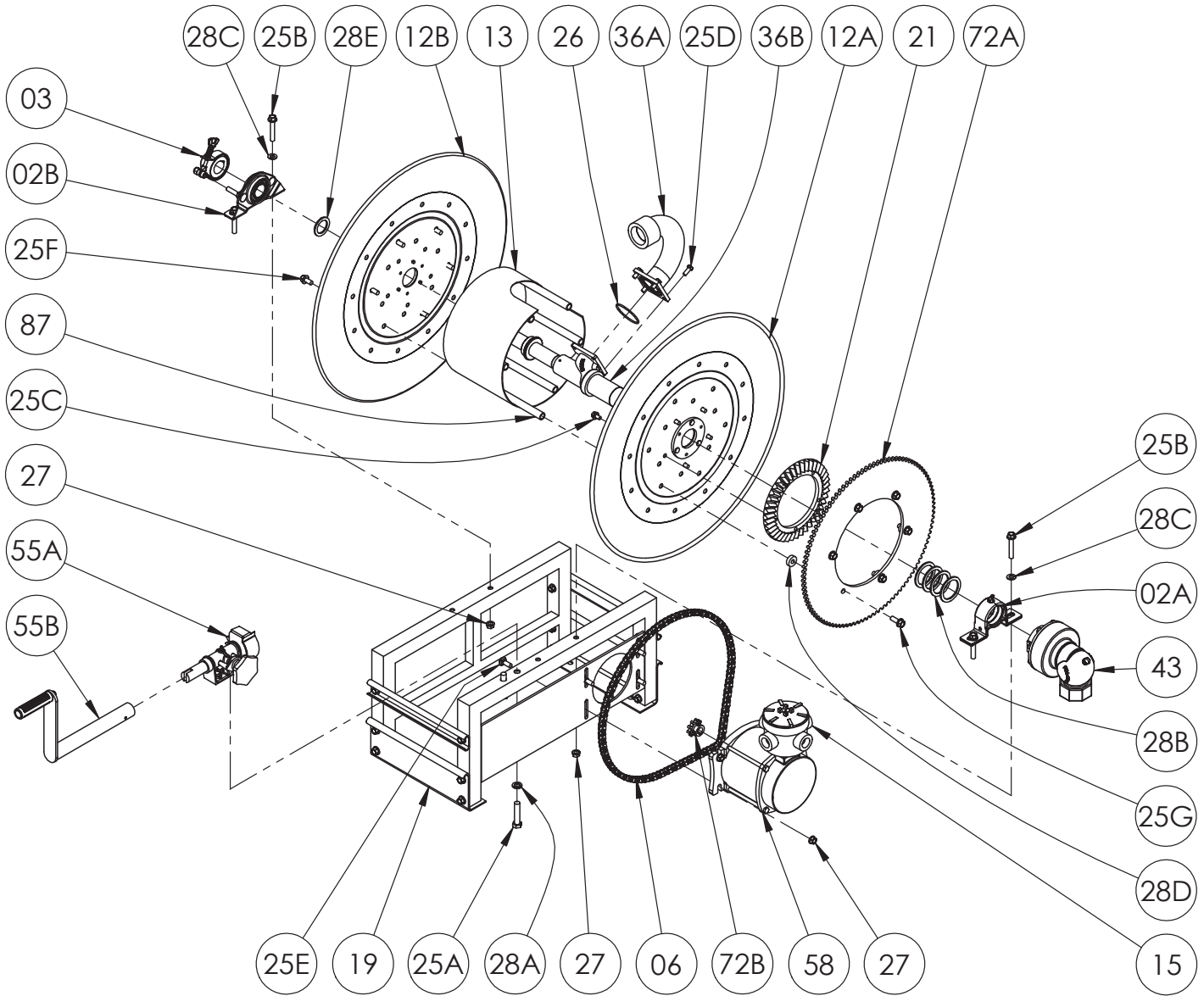


Hannay Reels, Inc.  
 553 State Route 143, Westerlo, NY 12193  
 www.hannay.com  
 Email: reels@hannay.com

Phone 1-518-797-3791  
 Toll Free 1-877-GO-REELS (467-3357)  
 Fax 1-800-REELING (733-5464)  
 Int'l Fax 1-518-797-3259

# ISO 204 PARTS LIST

## SERIES PB Aluminum w/ Square Tubing Frame



Hannay ISO Parts Lists are available  
 at [www.hannay.com](http://www.hannay.com)

**PARTS LIST**  
**ISO 204**  
**Series PB - Aluminum w/ Square Tubing Frame**

**When Ordering Parts**  
**BE SURE TO SPECIFY COMPLETE MODEL NUMBER and SERIAL NUMBER OF REEL**  
**USE PART NUMBER!**

<u>Item No.</u>	<u>Description</u>	<u>Part No.</u>	<u>Qty</u>
02A	1-1/2" Strap Bearing Complete (See ISO-211 for Parts) .....	9902.1620	1
02B	1" Self Aligning Bearing Complete (See ISO-210 for Parts) .....	9902.1420	1
03	Bearing Mounted Strap Brake (See ISO-212 for Parts) .....	9947.0090	1
06	#40 Chain .....	Specify Model	1
12A	Aluminum Front Disc (Specify Polished or Unpolished) .....	Specify Model/Serial #	1
12B	Aluminum Rear Disc (Specify Polished or Unpolished) .....	Specify Model/Serial #	1
13	10-1/2" Diameter Drum ~Spec Model .....	9905.5132	1
15	Red Dot Round Junction Box, Cover and 2 Plugs .....	9917.0061	1
19	Aluminum 1-1/2" Square Tubing Frame (Specify Polished or Unpolished) .....	Specify Model	1
21	H-26 Ring Gear .....	9914.0372	1
21	H-28 Ring Gear .....	9914.0382	1
25A	1/2"-13 x 2-1/4" SST Hex Head Bolt .....	9960.0074	2
25B	3/8"-16 x 2-1/4" SST Hex Head Bolt .....	9960.0014	4
25C	5/16"-18 x 1/2" SST Button Head Bolt (For H-26 Ring Gear) .....	9960.0103	5
25D	5/16"-18 x 3/4" SST Hex Head Bolt .....	9960.0002	4
25E	3/8"-16 x 1" SST Carriage Bolt .....	9960.0100	4
25F	3/8"-16 x 3/4" Spinlock Bolt .....	9960.0009	6
25G	3/8"-16 x 1" Spinlock Bolt .....	9960.0072	6
26	2-3/8" I.D. O-Ring for 1-1/2" Riser .....	9965.0028	1
27	3/8"-16 SST Spinlock Nut .....	9960.0091	8
28A	1/2" SST Lock Washer .....	9960.0017	2
28B	1-1/2" Hub Spacer Washer .....	9954.0022	As Needed
28C	3/8" Flat Washer .....	9960.0010	4
28D	Sprocket Spacer (5/16" Thick) .....	9954.0017	6
28E	1" Hub Spacer Washer .....	9954.0021	As Needed
30	Woodruff Key #9 (3/16" x 3/4") for Motor and Comet Brake (Not Shown) .....	9916.0080	2
36A	1-1/2" FNPT Plated Riser Only .....	9901.3767	1
36B	1-1/2" Flanged Plated Hub Only (Specify Model/Serial #) .....	9901.3641	1
43	1-1/2" 90 Deg. FxF Full Circle Swivel Joint .....	9930.0531	1
55A	Manual Rewind Assembly (Reels up to 25-26) (See ISO-209 for Parts) .....	9914.0200	1
55A	Manual Rewind Assembly (Reels over 25-26) (See ISO-209 for Parts) .....	9914.0210	1
55B	H-18 Crank Handle (10" Length) Complete (See ISO-214 for Parts) .....	9914.0011	1
58	SX-043 12V DC 2/3 HP Explosion Proof Motor .....	9915.0009	1
72A	104T40 Disc Sprocket (23-24 and 25-26 Discs) .....	9910.3121	1
72A	134T40 Disc Sprocket (30-31 Discs) .....	9910.3125	1
72B	9T40 Motor Sprocket, 1-5/16" Long .....	9910.0917	1
87	Anodized Threaded Spacer Pipe .....	Specify Model	6