

WHJ Series Ball-Bearing Swivel Joints for 1-1/2" & 2" Reels

APPROPRIATE APPLICATIONS: Liquid Fuels, Water

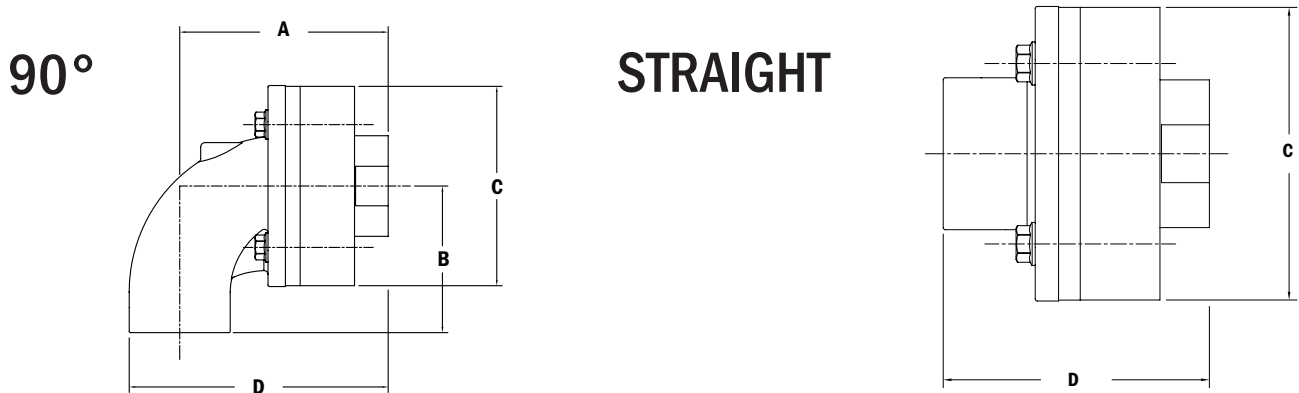
MATERIAL: Ductile Iron or Alum

RATING: 1000 psi (Ductile Iron), 600 PSI (Alum)

PACKING: Buna-N (standard for air, water, aviation fuel); Viton (standard for petroleum, diesel, gasoline)

Changing the Packing: (Refer to Diagram on Back): Remove any three of the four 5/16" x 1-1/4" cap screws (item 12). Loosen the remaining screw and pivot the packing ring (item 2) so that the packing (item 5) is exposed. Remove old packing and replace with new packing. Rotate packing ring back into place and reinstall three cap screws (item 12) and torque all cap screws to 20 ft-lbs. **Caution:** Before pivoting packing ring, be sure to clean joint of all dirt and debris which may fall into the joint and damage the seal.

Greasing the Joint: The frequency of greasing will, of course, vary according to usage of the reel, but generally speaking one pump with a manual grease gun every 2 to 3 months is sufficient. If the swivel joint is over greased, the excess amount will flow out of the swivel through the relief valve. This swivel has been packed with a water-resistant food grade grease (Tom-Pac TP-2598 Bearing Gel).



90 Degree "WHJ" Swivel Joint Information

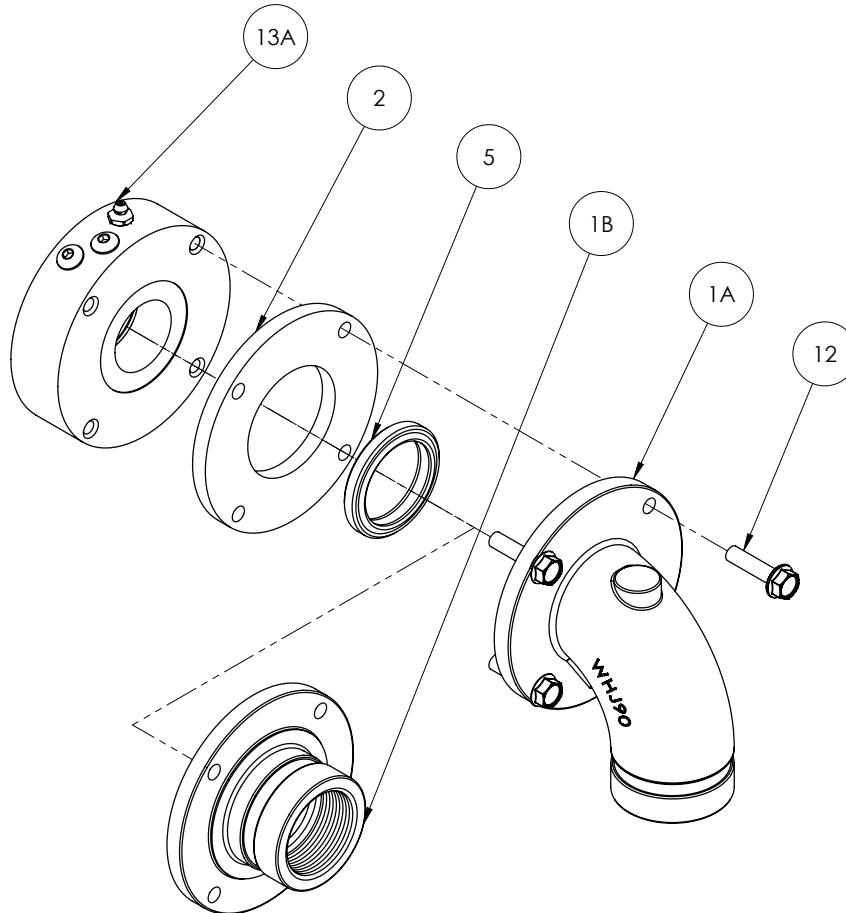
Model No.	Hannay P/N	Thread at Reel End	Inlet Style	Dimensions			
				A	B	C	D
WHJ-1590 (Buna)	9930.4210	1-1/2" FNPT	1-1/2" FNPT & 2" Groove	4.81	3.38	4.63	6.00
WHJ-1590V (Viton)	9930.4220	1-1/2" FNPT	1-1/2" FNPT & 2" Groove	4.81	3.38	4.63	6.00
WHJ-1590-AL (Buna)	9930.4312	1-1/2" FNPT	1-1/2" FNPT & 2" Groove	4.81	3.38	4.63	6.00
WHJ-290V (Viton)	9931.4210	2" FNPT	1-1/2" FNPT & 2" Groove	5.25	3.38	4.63	6.44
WHJ-2290 (Buna)	9931.4521	2" FNPT	2" FNPT Only	5.25	3.25	4.63	6.69

STRAIGHT "WHJ" Swivel Joint Information

Model No.	Hannay P/N	Thread at Reel End	Inlet Style	Dimensions			
				A	B	C	D
WHJ-15180 (Buna)	9930.4610	1-1/2" FNPT	1-1/2" FNPT & 2" Groove	--	--	4.63	4.19
WHJ-15180V (Viton)	9930.4611	1-1/2" FNPT	1-1/2" FNPT & 2" Groove	--	--	4.63	4.19
WHJ-15180-AL (Buna)	9930.4612	1-1/2" FNPT	1-1/2" FNPT & 2" Groove	--	--	4.63	4.19
WHJ-2180 (Buna)	9931.4721	2" FNPT	1-1/2" FNPT & 2" Groove	--	--	4.63	4.19
WHJ-22180 (Buna)	9931.4021	2" FNPT	2" FNPT Only	--	--	4.63	4.19

PARTS LIST
ISO 194
WHJ Ball Bearing Swivel Joints for 1-1/2" & 2" ID Reels

When Ordering Parts
BE SURE TO SPECIFY COMPLETE MODEL NUMBER and SERIAL NUMBER OF REEL
USE PART NUMBER!



<u>Item No.</u>	<u>Description</u>	<u>Part No.</u>	<u>Quantity</u>
1A	Inlet Fitting 90 deg. 1-1/2" FIPT x 2" VICT	9938.0001	1
1A	Alum Inlet Fitting 90 deg. 1-1/2" FIPT x 2" VICT (not shown)	9938.0007	1
1A	Inlet Fitting 90 deg. 2" FIPT (not shown)	9938.0005	1
1B	Inlet Fitting 180 deg. 1-1/2" FIPT x 2" VICT	9938.0004	1
1B	Alum Inlet Fitting 180 deg. 1-1/2" FIPT x 2" VICT (not shown)	9938.0002	1
1B	Inlet Fitting 180 deg. 2" FIPT (not shown)	9938.0006	1
2	P53A-00010 Packing Ring	9938.0011	1
5	1-1/2" PK-1 Buna-N Pkg	9936.0642	1
5	1-1/2" PK-1V Viton Pkg	9936.0645	1
5	2" PK-1 Buna-N Pkg (not shown)	9936.0740	1
5	2" PK-1V Viton Pkg (not shown)	9936.0741	1
12	5/16"-18 x 1-1/4" Hex Head Capscrew	9904.1103	4
13A	WHJ Bearing Assembly (1-1/2")	9938.0030	1
13B	WHJ Bearing Assembly (1-1/2") Alum (not shown)	9938.0031	1
13C	WHJ Bearing Assembly (2") (not shown)	9938.0032	1