



Hannay Reels®

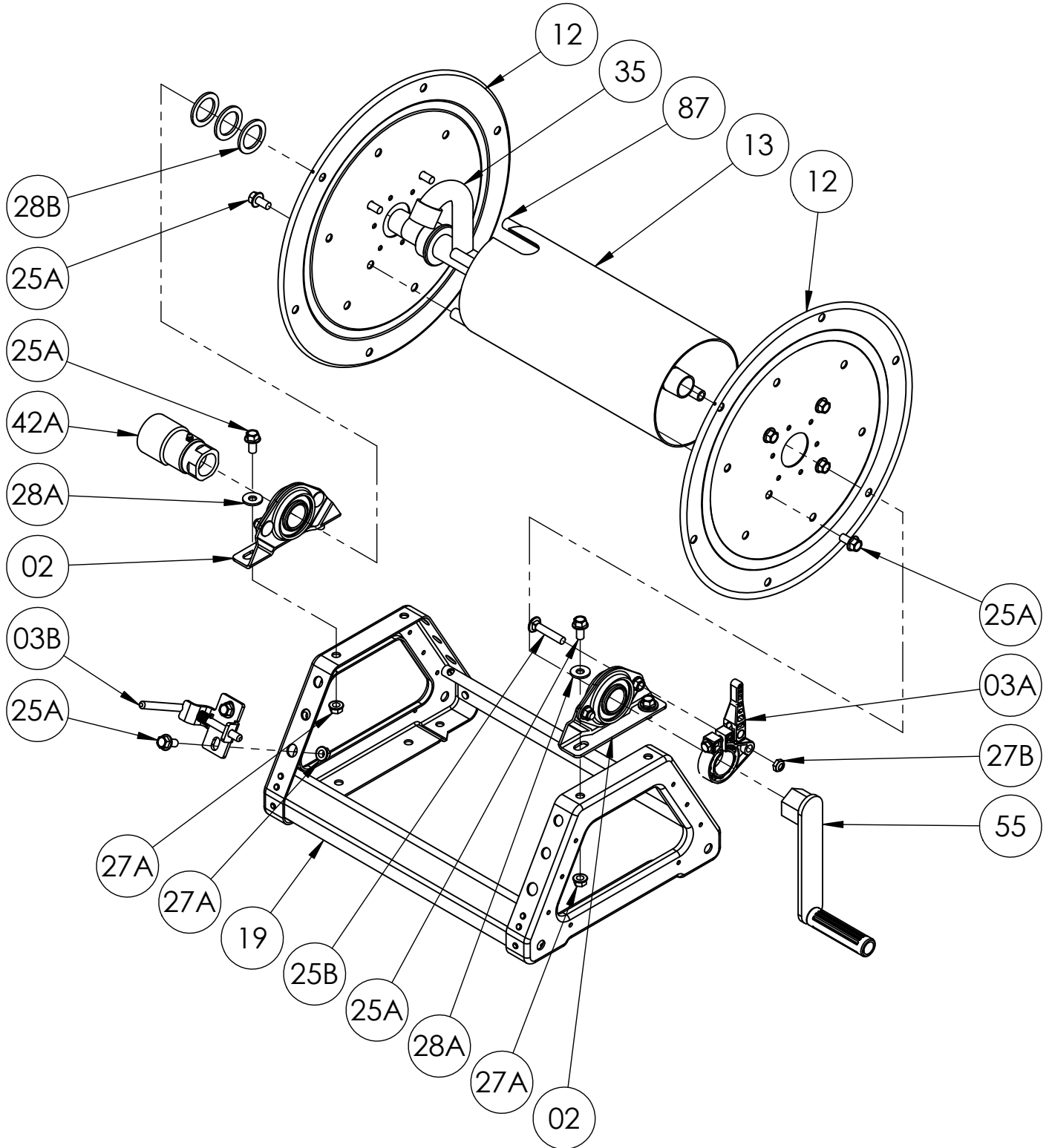
The reel leader.

Hannay Reels, Inc.
553 State Route 143, Westerlo, NY 12193
www.hannay.com
Email: reels@hannay.com

Phone 1-518-797-3791
Toll Free 1-877-GO-REELS (467-3357)
Fax 1-800-REELING (733-5464)
Int'l Fax 1-518-797-3259

ISO 180 PARTS LIST

Series 1800 Manual Rewind



PARTS LIST
ISO 180
Series 1800 Manual Rewind

When Ordering Parts
BE SURE TO SPECIFY COMPLETE MODEL NUMBER and SERIAL NUMBER OF REEL
USE PART NUMBER!

<u>Item No.</u>	<u>Description</u>	<u>Part No.</u>	<u>Quantity</u>
02	1" Pipe-Size Self Aligning Bearing Complete (See ISO-210 for Parts)	9902.1400	2
03A	Cam Lock Drag Brake Kit (See ISO-254 for Parts)	9947.0140	1
03B	PL-1 Pinlock Complete (See ISO-152 for Parts)	9965.0030	1
12	(17-18) 16.5" Diameter Disc 14 GA Steel (E-Coated)	9903.0516	2
13	Drum, 6" Diameter Aluminum ~Specify Model	9905.7112	1
19	Frame Assy, for 1800 Series Reel Steel (E-Coated) ~Specify Model	9908.1000	1
25A	3/8"-16 x 3/4" Spinlock Bolt	9904.2201	14
25B	3/8"-16 x 2" Carriage Bolt	9904.0206	1
27A	3/8"-16 Spinlock Nut	9904.6200	6
27B	3/8"-16 SST Thin Nylon Lock Nut	9960.0099	1
28A	3/8" Flat Washer	9954.0007	4
28B	1-7/8" O.D. x 1-5/16" I.D. x 1/8" Hub Spacer Washer (Plated)	9954.0021	3
35	1" Welded Iron Pipe Hub Assembly with 3/4" FNPT Riser ~Specify Model	9901.2000	1
42A	1" 90 Degree FxF Steel 5000 PSI Super Swivel Joint (GLT Viton Packing)	9929.8552	1
42B	1" Super Swivel Joint Seal Kit, GLT Viton (Not Shown)	9936.0581	1
55	Hand Crank for 1800 Series (See ISO-255 for Parts)	9914.0041	1
87	Anodized Aluminum Threaded Spacer Pipe	Specify Model	4