



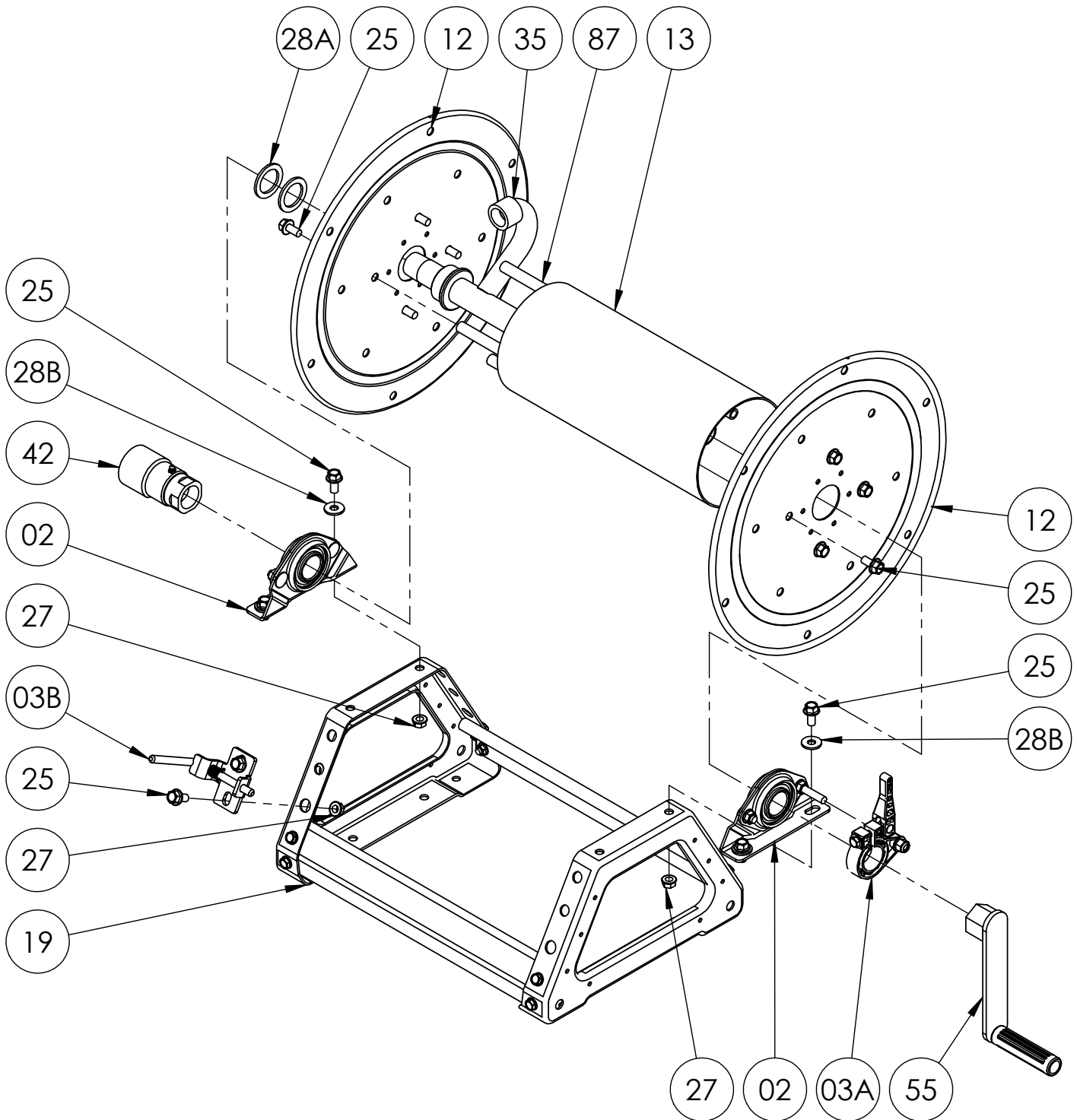
Hannay Reels®
The reel leader.

Hannay Reels, Inc.
553 State Route 143, Westerlo, NY 12193
www.hannay.com
Email: reels@hannay.com

Phone 1-518-797-3791
Toll Free 1-877-GO-REELS (467-3357)
Fax 1-800-REELING (733-5464)
Int'l Fax 1-518-797-3259

ISO 180
PARTS LIST

Series 1800
Manual Rewind



Hannay ISO Parts Lists are available
at www.hannay.com

PARTS LIST
ISO 180
Series 1800 Manual Rewind

When Ordering Parts
BE SURE TO SPECIFY COMPLETE MODEL NUMBER and SERIAL NUMBER OF REEL
USE PART NUMBER!

<u>Item No.</u>	<u>Description</u>	<u>Part No.</u>	<u>Quantity</u>
02	1" Self Aligning Bearing Complete (See ISO-210 for Parts).....	9902.1400	2
03A	Cam Lock Drag Brake Complete (See ISO-254 for Parts).....	9947.0140	1
03B	PL-1 Pinlock Complete (See ISO-152 for Parts).....	9965.0030	1
12	17-18 Disc (16-1/2" Diameter).....	9903.0516	2
13	6" Diameter Aluminum Drum (Specify Model).....	9905.7112	1
19	1800 Series Trapezoid Frame (Steel E-Coated) (Specify Model).....	9908.1000	1
25	3/8"-16 x 3/4" Spinlock Bolt.....	9904.2201	14
27	3/8"-16 Spinlock Nut.....	9904.6200	6
28A	1" Pipe Hub Spacer (1-7/8" O.D. x 1-5/16" I.D. x 1/8" Thick).....	9954.0021	As Req'd
28B	3/8" Flat Washer.....	9954.0007	4
35	1" Welded Iron Pipe Hub Assembly with 3/4" FNPT Riser (Specify Model).....	9901.2000	1
42	1" 90 Degree FxF Steel 5000 PSI Super Swivel Joint (GLT Viton Packing).....	9929.8552	1
55	Hand Crank for 1800 Series (See ISO-255 for Parts).....	9914.0041	1
87	Anodized Aluminum Threaded Spacer Pipe.....	Specify Model	4