

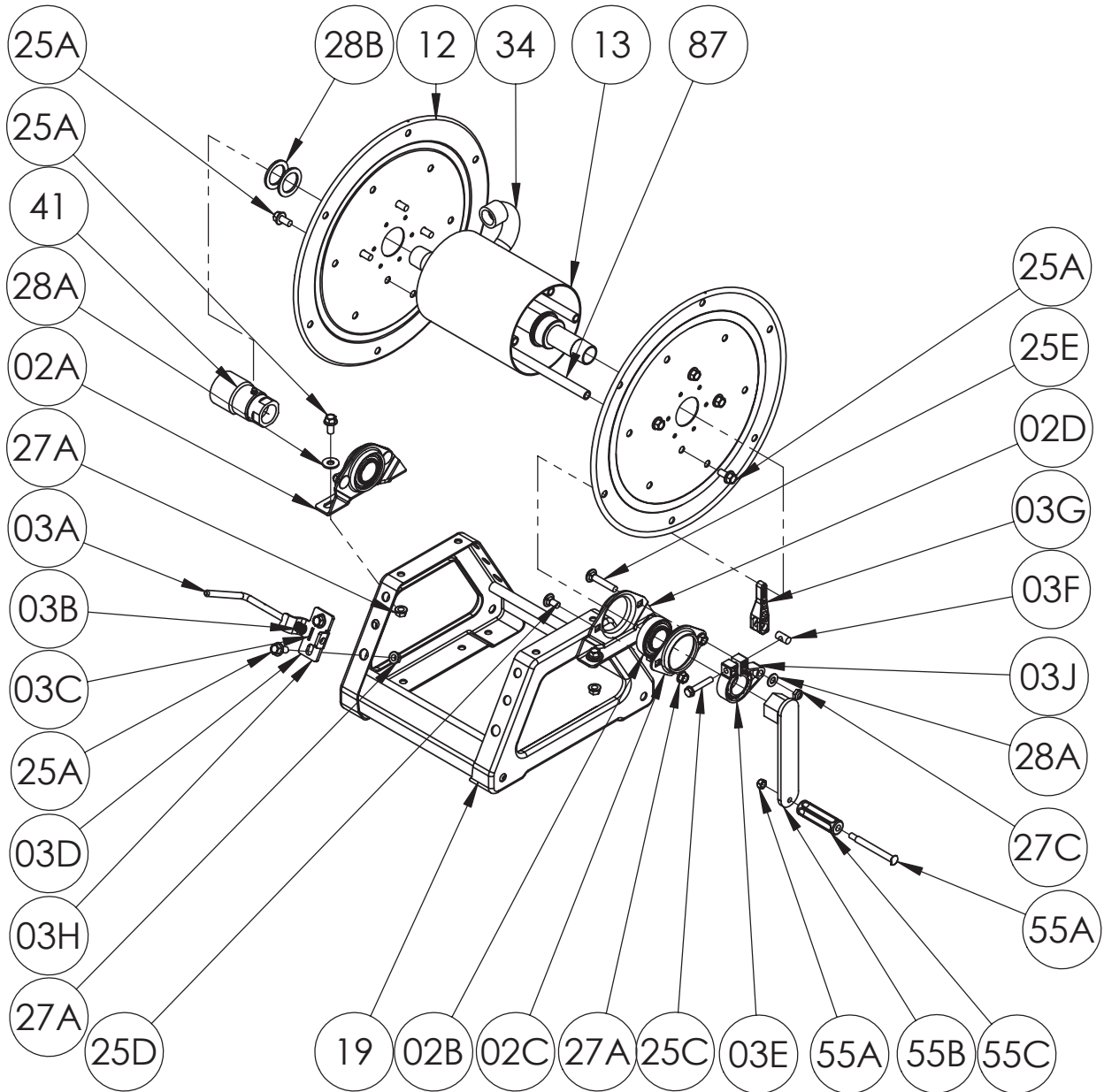


Hannay Reels®

The reel leader.

Hannay Reels, Inc., 553 State Route 143
Westerlo, NY 12193
Telephone 518-797-3791 • Toll Free 877-GO REELS (467-3357)
FAX 1-800-REELING (733-5464)
INT'L FAX (518) 797-3259
Website: www.hannay.com
E-mail: reels@hannay.com

ISO 176 PARTS LIST SERIES SS1800



PARTS LIST
ISO 176
SERIES SS1800 - Manual Rewind

When ordering parts

BE SURE TO SPECIFY COMPLETE MODEL NUMBER and SERIAL NUMBER OF REEL.
USE PART NUMBER!

<u>Item No.</u>	<u>Description</u>	<u>PART NUMBER</u>	<u>Quantity</u>
2	1" SST Self Aligning Bearing Complete	9902.1403	2
02A	1" SST Self Aligning Bearing Complete (Includes 02B, 02C and 02D)	9902.1420	2
02B	1" SST Bearing Insert.....	9902.1520	2
02C	SST Bearing Holder.....	9902.2903	2
02D	SST Pillow Block	9902.2902	2
03A	SST Pin for PL-1 Pinlock.....	9965.0031	1
03B	Pinlock Spring.....	9965.0032	1
03C	1/8" x 3/4" Spring Pin (Not Shown)	9958.0049	1
03D	Stainless Steel PL-1 Pinlock Bracket Only.....	9965.0048	1
03E	Cam Lock Drag Brake for 1800 Series (Hub Piece Only).....	9947.0141	1
03F	Brass Barrel Nut for Cam Lock Brake	9947.0133	1
03G	Cam Lock Lever	9947.0132	1
03H	Stainless Steel PL-1 Pinlock Complete (Includes 03A, 03B, 03C and 03D).....	9965.0034	1
03J	Cam Lock Kit - Stainless Steel Hardware (Includes 03E, 03F, 03G and 25C).	9947.0140	1
12	(17-18) 16.5" Diameter Disc 16 GA Unpolished Stainless Steel ~Specify Model	9903.0514	2
13	Drum, 6" Diameter Stainless Steel ~Specify Model	9905.1114	1
19	Frame Assy. For 1800 Series Reel Steel (Unpolished Stainless Steel) ~Specify Model	9908.1100	1
25A	3/8"-16 x 3/4" Stainless Steel Spinlock Bolt	9960.0009	14
25C	5/16"-18 x 2-1/4" Hex Head Bolt with Nylock Patch.....	9904.1107	1
25D	3/8"-16 x 3/4" Stainless Steel Carriage Bolt.....	9960.0096	3
25E	3/8"-16 x 2" Stainless Steel Carriage Bolt for Camlock Brake Bearing.....	9960.0097	1
27A	3/8"-16 Stainless Steel Spinlock Nut.....	9960.0091	10
27C	3/8"-16 Hexhead Nut (ESNA for Cam Lock Brake).....	9958.0040	1
28A	3/8" Stainless Steel Flat Washer	9960.0010	4
28B	1" Pipe Hub Spacer (1-7/8" O.D. x 1-5/16" I.D. x 1/8" Thick).....	9954.0021	2
34	1" SST Hub Assy.w/ 3/4" FNPT Riser (Specify Model).....	9901.1604	1
41	1" 90° FxF SST Superswivel Joint	9929.8525	1
55A	3/8" Stainless Steel Shoulder Bolt and Nut for plastic crank handle.....	9914.0512	1
55B	Stainless Steel Hand Crank (Includes 55A and 55C)	9914.0044	1
55C	Black Plastic Crank Handle	9914.0506	1
87	Anodized Aluminum Threaded Spacer Tube	Spec Model	4