

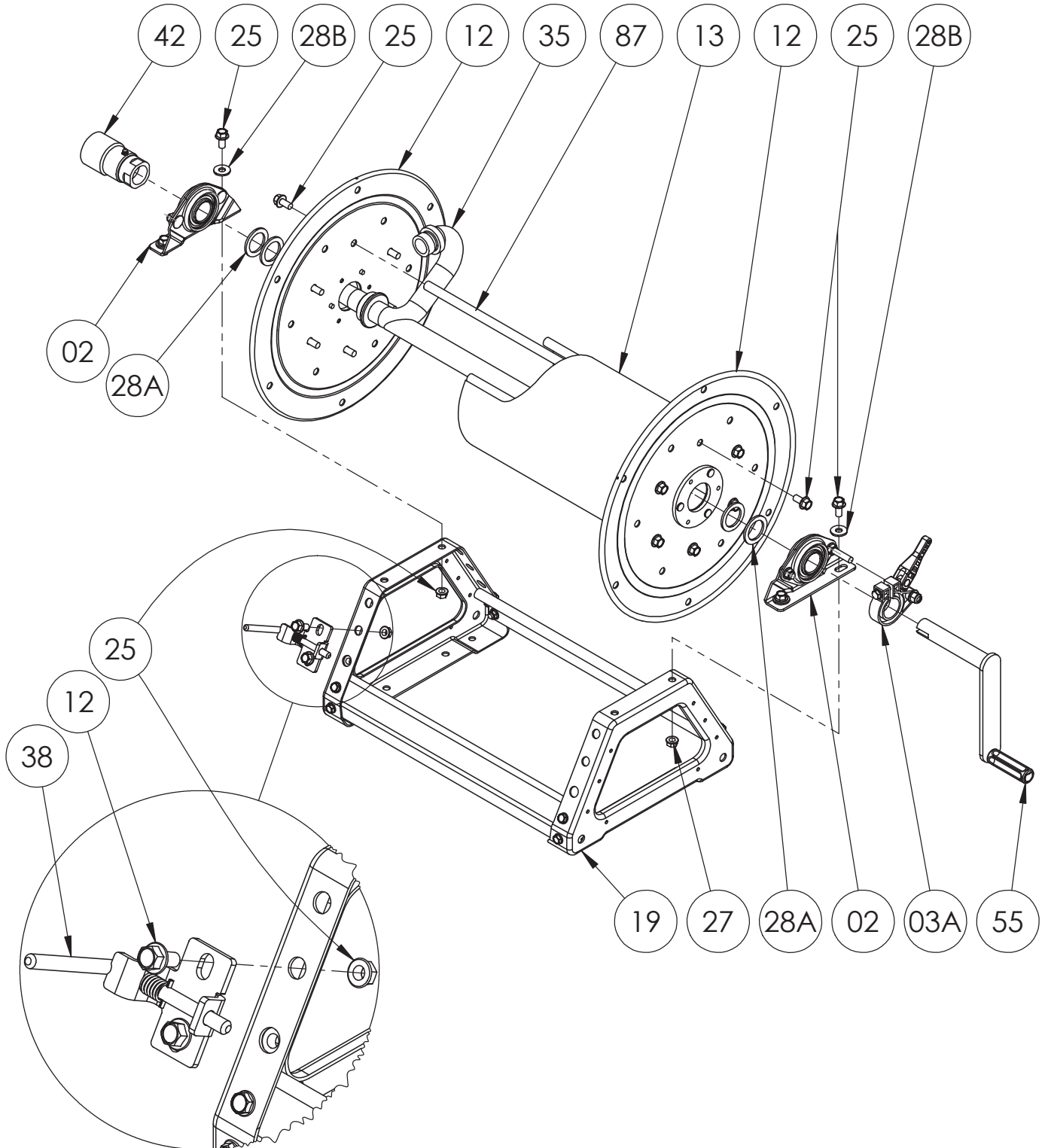


Hannay Reels, Inc.  
 553 State Route 143, Westerlo, NY 12193  
 www.hannay.com  
 Email: reels@hannay.com

Phone 1-518-797-3791  
 Toll Free 1-877-GO-REELS (467-3357)  
 Fax 1-800-REELING (733-5464)  
 Int'l Fax 1-518-797-3259

# ISO 125 PARTS LIST

## SERIES 4000 MANUAL REWIND



Hannay ISO Parts Lists are available  
 at [www.hannay.com](http://www.hannay.com)

**PARTS LIST**  
**ISO 125**  
**Series 4000 Power Rewind**

**When Ordering Parts**  
**BE SURE TO SPECIFY COMPLETE MODEL NUMBER and SERIAL NUMBER OF REEL**  
**USE PART NUMBER!**

| <u>Item No.</u> | <u>Description</u>  | <u>Part No.</u> | <u>Quantity</u> |
|-----------------|---|-----------------|-----------------|
| 02              | 1" Self Aligning Bearing Assembly (See ISO-210 for Parts).....            | 9902.1400       | 2               |
| 03A             | Cam Lock Drag Brake Assembly (See ISO-254 for Parts).....                 | 9947.0140       | 1               |
| 03B             | PL-1 Pinlock (Steel E-Coated) Assembly (See ISO-152 for Parts) .....      | 9965.0030       | 1               |
| 12              | Disc Assembly .....   | Spec. Model     | 2               |
| 13              | 8" Diameter Aluminum Drum (Specify Model).....                            | 9905.3121       | 1               |
| 19              | Trapezoid Frame (Steel E-Coated) Assembly .....                           | Spec. Model     | 1               |
| 25              | 3/8"-16 x 3/4" Spinlock Bolt .....  | 9904.2201       | 18              |
| 27              | 3/8"-16 Spinlock Nut.....   | 9904.6200       | 6               |
| 28A             | 1" Pipe Hub Spacer (1-7/8" O.D. x 1-5/16" I.D. x 1/8" Thick) .....        | 9954.0021       | As Req'd        |
| 28B             | 3/8" Flat Washer .....  | 9954.0007       | 4               |
| 35              | 1" Welded Iron Pipe Hub Assembly with 1" FNPT Riser (Specify Model) ..... | 9901.1600       | 1               |
| 42              | 1" 90 Degree FxF Steel 4000 PSI Super Swivel Joint (BUNA Packing).....    | 9929.8551       | 1               |
| 55              | Hand Crank Assembly (See ISO-257 for Parts) .....                         | 9914.0031       | 1               |
| 87              | Anodized Aluminum Threaded Spacer Pipe.....                               | Spec Model      | 6               |