

The following systems can be used to provide hydraulic rewind power and control for hydraulically powered reels.

MOTIVE POWER FOR HYDRAULIC PUMP

- Belt drive from engine, with or without clutch
- Direct or gear drive (accessory drive) from engine
- Power takeoff
- Separate gasoline engine
- Electric motor

SOURCE OF HYDRAULIC PRESSURE

- Fixed displacement pump
- Variable displacement pump

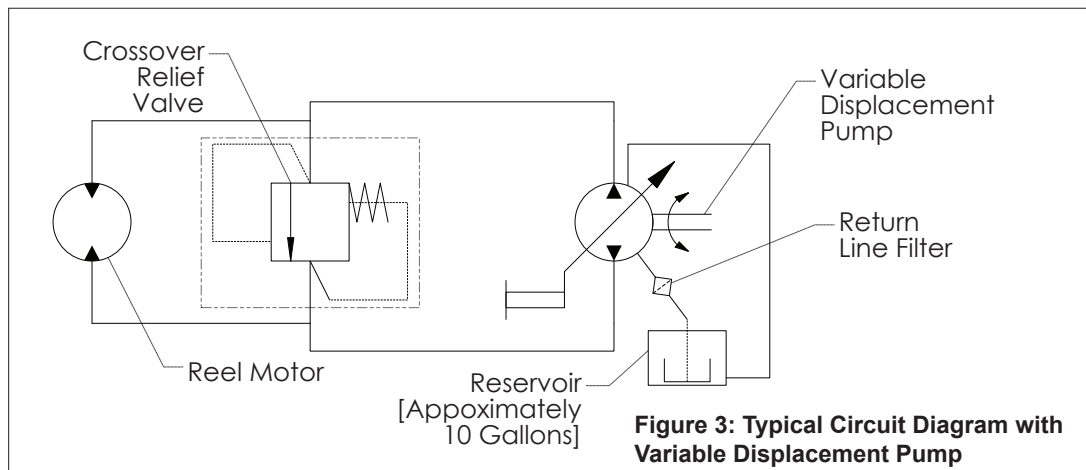
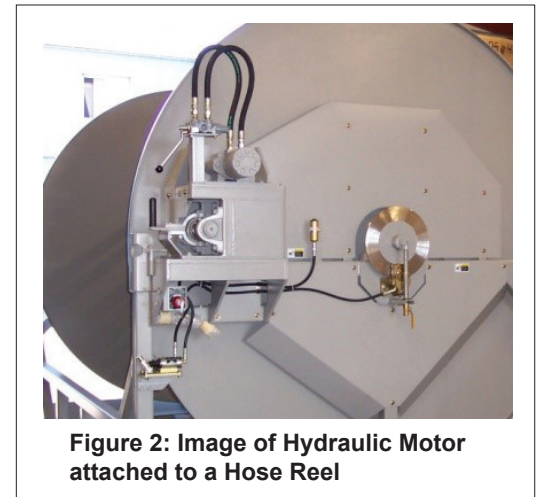
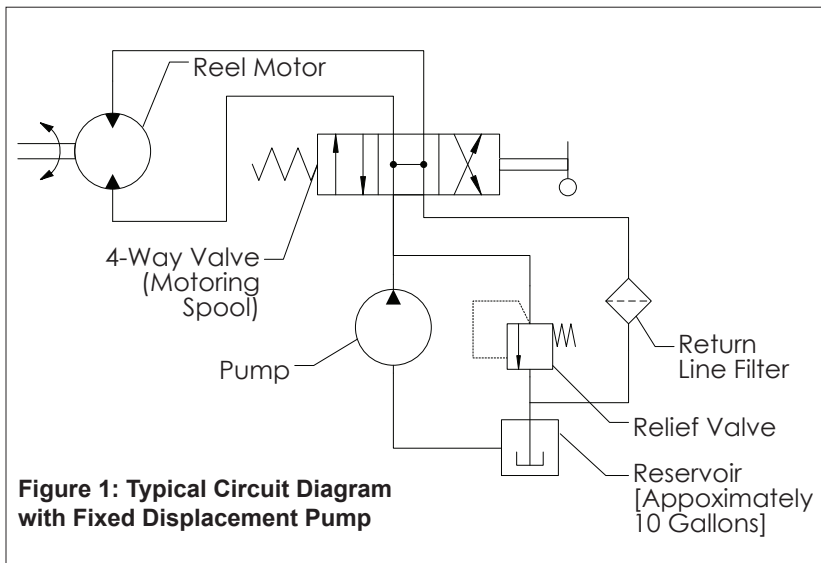
CONTROL

Four-way, 3-position valve with spring return to center. Be sure to use a motoring spool (all ports in common when neutral).

Valve may also be pressure compensated flow control, if desired.

With a hydrostatic pump, no additional four-way valve is necessary because control is built into the pump.

However, with any type pump, the pump must be running even when freewheeling the reel, to prevent serious damage to the motor from oil starvation.



Recommended Motor Guidelines for Hannay Hydraulically Powered Reels*			
	Motor Model	Cubic Displacement	Recommended Flow @ Pressure
Standard Motor	Parker MGG Series MGG20030	0.7 in ³	2 gpm @ 1000 psi
Motors for Custom Reels	Parker TB Series TB0195	12 in ³	6 gpm @ 1000 psi
	Parker TB Series TB0330	20 in ³	8 gpm @ 1000 psi
	Parker TF Series TF0195	12 in ³	8 gpm @ 1500 psi
	Parker TF Series TF0280	17.1 in ³	12 gpm @ 1500 psi
	Parker TF Series TF0360	22.2 in ³	12 gpm @ 1500 psi
Direct Drive Motors	Char-Lynn 101-3332-009	9.7 in ³	2 gpm @ 800 psi
	Parker TE Series TE0330	20 in ³	4 gpm @ 1500 psi

*These are Hannay recommendations and thus may not suit all applications.

CAUTIONS

1. **DO NOT** use a “closed center spool,” a “tandem center spool,” or any other valve design which allows oil from the hydraulic motor to bleed back to the tank without being replenished. **SERIOUS DAMAGE TO THE MOTOR**, including possible seizure, may result, as all the oil will leave the motor when freewheeling the reel.

Remember, the valve must be open to all ports in neutral and the pump must be running whenever the reel is operated in either direction.

2. **DO NOT** use an electric powered hydraulic pump for reel disc diameters over 45”. The current (amperage) draw is too great for the hydraulic flow required.

3. A good filter must be used in the hydraulic system. This is very important as a failure to do so will **VOID THE HANNAY WARRANTY** on the reel and hydraulic motor.

Hannay Reels does not recommend a particular brand of hydraulic components. We suggest you work with a local hydraulics supply house to fill your needs.

The following is a list of possible component sources:

Fixed Displacement Pumps

- Delta Power Hydraulics Co.
- Muncie Products
- Eaton
- Parker-Hannifin Corp.

Variable Displacement Hydrostatic Pumps

- Sauer Danfoss (Formally Sunstrand Corp.)
– Series 15 or equivalent
- Eaton

Four-Way Control Valves

- Valve Research & Manufacturing
- Eaton
- Brand Hydraulics

Electro-Hydraulic Power Units, 12 Volt DC

- Bucher Hydraulics (Formally Monarch Hydraulics)