


























## SWIVEL JOINTS, RISERS, HUB ASSEMBLIES


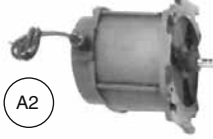



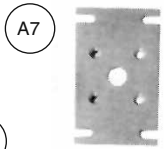
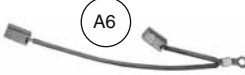





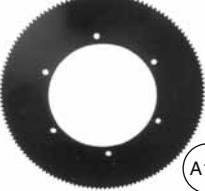
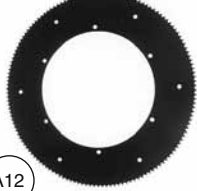







SWIVEL JOINTS, RISERS, HUB ASSEMBLIES			
	ITEM	PART	DESCRIPTION
	C1	9927.8138	1/2" 90° MxF BP Super Swivel
	C2	9929.8538	1" 90° FxF BP Super Swivel
	C4	9927.8151	1/2" 90° MxF Super Swivel (FxF also Avail.) 9927.8551
	C5	9929.8551	1" 90° FxF Super Swivel (Buna)
	C6	Specify	Super Swivel Repair Kit (Specify Size)
	C7	9930.4210	1-1/2" 90° FxFxV Swivel (WHJ1590)
	C8	9930.4610	1-1/2" Straight FxFxV Swivel (WHJ15180)
	C9	9936.0642	1-1/2" PK-1 BUNA-N Packing (Merkel)
	C10	9930.5703	1-1/2" Straight Victaulic H-5 Joint
	C11	9936.0659	H-5C Rope Packing Seal for H-5 Joint
	C12	9929.0501	1" 90° Full Circle Swivel
	C13	9930.0531	1-1/2" 90° FxF Full-Circle Swivel
	C14	9901.1600	1" FIPT Iron Welded Hub Assembly (Specify Model)
	C15	9901.3760	1-1/2" FIPT Iron Flanged Riser
	C16	9965.0024	O-Ring for 1-1/2" Risers (2-5/8" Diam.)
	C16	9965.0025	O-Ring for 3" Risers (3-3/4" Diam.)
	C17	9901.2840	1-1/2" Hub Assy Complete (Specify Model)

## BEARINGS














BEARINGS			
	ITEM	PART	DESCRIPTION
	E3	9902.1200	1/2" S.A. Ball Bearing Complete
	E4	9902.1300	1/2" S.A. Ball Bearing Insert
	E5	9902.1400	1" S.A. Ball Bearing Complete
	E6	9902.1500	1" S.A. Ball Bearing Insert
	E7	9902.1610	1-1/2" S.A. Bronze Bearing Complete (E-coated)
	Not Shown	9902.1620	1-1/2" S.A. Bronze Bearing Complete (304 S.S.)
	E8	9902.1700	1-1/2" S.A. Bronze Bearing Insert
	E9	9902.1730	1" S.A. Bronze Bearing insert

Note - photos shown not actual size.

## MOTORS, SPROCKETS, CHAIN

	ITEM	PART	DESCRIPTION
	A1	9915.0042	12 Volt Flange Mount Non-Exp-Proof Motor
	A2	9915.0003	12 Volt Flange Mount Explosion-Proof Motor
	A3	9915.0014	12 Volt Base Mount Explosion-Proof Motor
	A8	9916.0071	Pair of Brushes for 12 Volt Non-Exp-Proof Motor (#572008)
	A5	9916.0070	Two Pairs of Brushes for 12 Volt Explosion Proof Motor (#572000)
	A7	9923.0008	Flange Mount Motor Plate for Non-Exp-Proof Motor
	A6	9923.0006	P66A-00090 Motor Mounting Plate Right Angle for Non-Exp-Proof Motor
	A9	9912.0001	10' Length #35 Chain w/Connecting Link
	A9	9912.0002	10' Length #40 Chain w/Connecting Link
	A10	9912.0010	Connecting Link for #35 Chain
	A10	9912.0009	Connecting Link for #40 Chain
	A11	9910.1423	138T35 Disc Sprocket, 16-5/8" Diameter (E-Coated)
	A12	9910.3128	146T40 Disc Sprocket, 23-1/2" Diameter (E - coated)
	Not Shown	9910.1321	112T35 Disc Sprocket, 13-3/8" Diameter (E-coated)
	A13	9910.1116	11T35 Motor Sprocket, 3/4" Long
	A14	9910.1117	11T35 Motor Sprocket, 1-1/16" Long
	A15	9910.1118	11T35 Motor Sprocket, 1-5/16" Long
	A16	9910.1119	11T35 Motor Sprocket, 1-3/4" Long
	A17	9910.2219	Disc & Sprocket for Caliper Brake (#35 Chain)
	Not Shown	9910.2100	Disc & Sprocket for Caliper Brake (#40 Chain)
	A18	Specify	Molded Chain Guard (left or right)

## SWITCHES AND ELECTRICAL

	ITEM	PART	DESCRIPTION
	B1	9917.0001	Red Dot EXPB-2A Switch (12 Volt)
	B2	9917.0014	Red Dot Internal Switch
	B4	9917.0061	Red Dot 5-Port Round Junction Box/Cover
	B5	9917.0062	#6 Wire Nut (For Red Dot Junction Box)
	B6	9917.0063	Insulated "Bug" Connector
	B7	9917.0025	12 Volt Solenoid (Diode-Suppressed)
	B8	Specify	SDLM Circuit Breaker (Specify Amperage)
	B9	9917.0024	CB-2 Mounting Bracket (for Circuit Breaker)
	B10	9917.0006	Push-Button 12 Volt Switch (Less Cap)
	B11	9917.0008	Rubber Cap (For Push Button Switch)
	B12	9917.0200	EPS-1 Switch (Used with Guidemaster)
	B13	9917.0207	EPS-2 Mounting Bracket (Used with EPS-1)
	B14	9917.0208	Extension Bracket for EPS-2




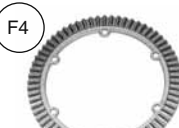


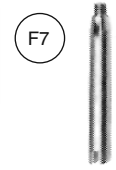




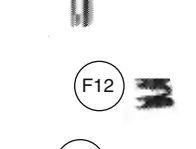

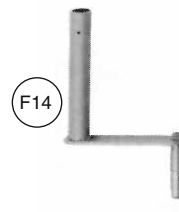
















# ROLLER ASSEMBLIES, CABLE GUIDES, HOSE STOPS

ITEM	PART	DESCRIPTION
D1	Specify	Top Wind FH-3 Mtg. Brkt. (Specify Model)
D2	9939.0042	FH-3 Roller & Spool Assy. (Specify Model)
D3	9940.0012	FH-307 Delrin-Over-Steel Step Bolt
D4	9940.0002	FH-309-P Black Plastic Cap
D5	9940.0005	FH-301 Spool
D6	9940.0006	FH-302 Block
D7	9940.0007	FH-303-15 (1.5") Trunnion Bearing
D8	9940.0008	FH-303-2 (2") Trunnion Bearing
D9	9939.0062	Utility Hose Roller Assy. "C" (Spec. Model)
D10	9940.0076	EH-650 Mounting Block (Plated)
D11	9939.0003	EH-714 Roller Assembly
D12a	9922.0111	HS-3 Hose Stop (Specify OD of Hose)
D12b	9922.0200	HS-35 Hose Stop For Single Hose (Specify OD of Hose)
Not Shown	9922.0210	HS-35 Hose Stop For Twin Hoses (Specify OD of Hose)
D13	9922.0012	HS-45 Hose Stop (Specify OD of Hose)
D14	9951.0009	GR-4A Guide Arm Positioner
D15	9951.0010	GR-4 Guide Arm
D16	9951.0012	GR-5 Scoop Cable Guide
D17	Specify	"R200" Series Roller Assembly
D18	Specify	"N200" Series Roller Assembly
D19	Specify	"R300" Series Roller Assembly
D20	Specify	Roller Mounting Arm (2) per reel (For "N" Series Spring Reels)
D21	9940.0016	FH-303 1 1/2" Trunnion Bearing (New Style) (No Through Hole)
D22	9940.0010	FH-305 2" SST Roller Tubing
D23	9940.0003	1 1/2" SST Roller Tubing
D24	9940.0009	FH-304 Roller Rod
D25a	9940.0071	LEFT HAND roller mounting block (plated)
D25b	9940.0072	RIGHT HAND roller mounting block (plated)
D26	9939.1062	Assy C2 Roller with 1 1/2" Diam. Roller (Style 2) (Specify Model)

# GUIDEMASTER PARTS AND BRACKETS

ITEM	PART	DESCRIPTION
G1	9945.0026	GM Ball Bearing (For GM-609 Roller)
G2	9945.0044	GM-108 Ball Bearing (For GM-109 Roller)
G3	9945.0019	GM-609 Roller w/GM Bearing
G5	9944.0040	GM-700 Guide Arm Body Assy w/Mtg. Yoke
G6	9945.0009	GM Mounting Yoke w/Bronze Bushing
G7	9945.0011	GM Oil-Impregnated Bronze Bushing
G8	9945.1001	GM Roller Body w/Mtg. Bolts
G10	9945.1005	GM Roller Mtg. Bolts
G11	9945.1003	Pinlock assy for GM 700
G12	9945.1004	GM Roller Bolt Mounting Plate
G15	9945.0035	GM Cross Member Assembly (3 Pieces) (Specify Model)
G16	9945.0036	GM Bottom-Wind Brackets (Pair)
G17	9945.0037	GM Top-Wind Brackets (Pair)
G18	9939.0069	Assy. "B" Roller for Bottom-Wind Guidemaster Reels (specify model)

# REWIND ASSEMBLIES, BRAKES, RATCHETS

	ITEM	PART	DESCRIPTION
	F1	Specify	30° Rewind Bracket (specify right or left)
	F2	9914.0233	Vertical Rewind Bracket Only
	F3	9914.0372	H-26 Ring Gear
	F4	9914.0382	H-28 Ring Gear
	F5	9914.0393	H-27 Pinion Gear
	F6	9914.0403	H-29 Pinion Gear
	F7	Spec. Model	Pinion Shaft
	F8	9914.0351	Pinion Shaft Collar
	F9	9914.0618	Pinion Gear Guard (E-Coated)
	F10	9914.0243	H-2A Pinion Shaft Bearing
	F11	9914.0413	H-30A Brake Wheel
	F12	9914.0451	H-31 Brake Spring
	F13	9914.0433	H-3 Brake Pad
	F14	9914.0011	H-18 Hand Crank
	F15	9947.0020	Air Caliper Brake
	F16	9947.0024	Pair of Brake Pads (For Air Caliper Brake)
	F18	9947.0036	Comet Brake Strap Only (IV Style)
	F19	9947.0038	Comet Brake Iron Hub (IV Style)
	F21	9922.0015	Ratchet Wheel (new 2 position)
	F22	9965.0030	PL-1 Pinlock
	F23	9965.0036	PL-4 Pinlock with Extended Mounting Ears
	F24	9947.0090	Comet Brake Assembly (Bearing Mounted Style)
	F25	9947.0043	Comet Brake Assembly (Bearing Mounted Style with Stub Shaft)
	F25	9947.0130	Cam Lever Drag Brake Kit 3-Position Lever (including mounting hardware)
	F26	9922.0301	Left Hand Pawl & Pin (304 SST)
	F27	9922.0302	Right Hand Pawl & Pin (304 SST)
	F28	9922.0311	Left Hand Ratchet Locking Assy for HGR, SCR, SGCR, Reverse N-Series
	F29	9922.0312	Right Hand Ratchet Locking Assy for N-series
	F30	9922.0321	Left Hand Ratchet Locking Assy for Rollform Reels
	F31	9922.0322	Right Hand Ratchet Locking Assy for Reverse Rollform Reels

Available from:



Hannay Reels, Inc., 553 State Route 143  
 Westerlo, New York 12193  
 Telephone 518-797-3791  
 Toll Free 1-877-GO-Reels (467-3357)  
 FAX 1-800-REELING (733-5464)  
 INT'L FAX (518) 797-3259  
 Website: www.hannay.com  
 E-mail: reels@hannay.com