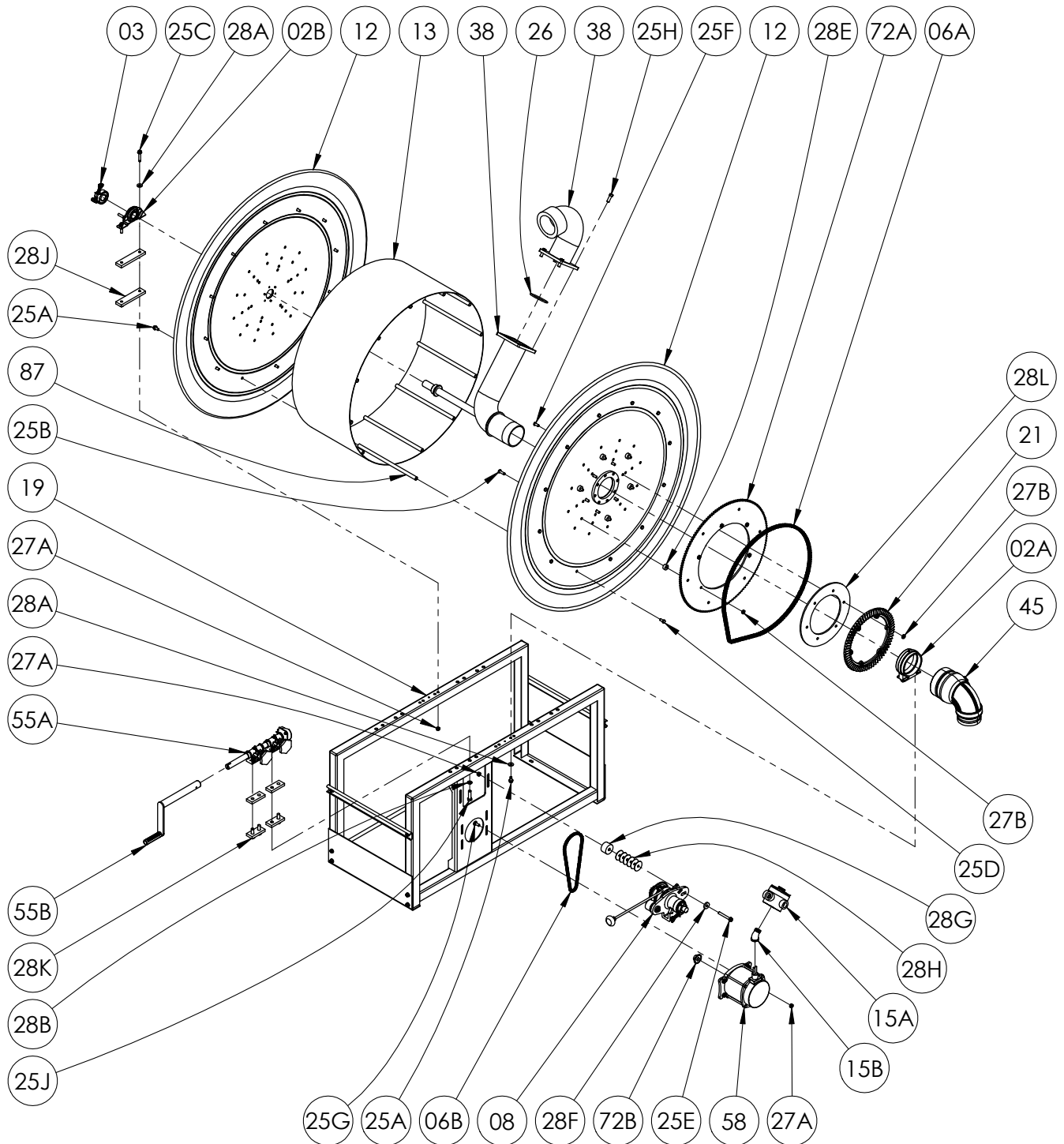


ISO 75
PARTS LIST
4" HOSE REELS



**PARTS LIST
ISO 75
4" Hose Reels**

**When Ordering Parts
BE SURE TO SPECIFY COMPLETE MODEL NUMBER and SERIAL NUMBER OF REEL
USE PART NUMBER!**

<u>Item #</u>	<u>Description</u>	<u>Part #</u>	<u>Quantity</u>
02A	H-44 4" Bearing	9902.2500	1
02B	1" Pipe-Size (1.287" I.D.) Self Aligning Bearing Complete (see ISO-210 for parts)	9902.1400	1
03	Band (Comet) Brake Assembly (see ISO-212 for parts).....	9947.0090	1
06A	#40 Chain (for Disc Sprocket)	Specify Model	1
06B	#35 Chain (for Clutch/Reduction Unit).....	Specify Model	1
08	Manual Clutch/Reduction Unit (see ISO-160 for parts)	Specify Model	1
08	Electric Clutch/Reduction Unit (see ISO-249 for parts) (not shown)	Specify Model	1
12	Disc Assembly (includes Disc Washer)	Specify Model	2
13	Drum, 36" Dia. 3/16" Plate (Specify Model).....	9905.3224	1
15A	Red Dot 5-Port Round Junction Box Complete	9917.0060	1
15B	3/4" MxF 45 Degree Galvanized Street Elbow	9950.0015	1
19	2" Rollform Frame Assembly	Specify Model	1
21	H-28 Ring Gear	9914.0382	1
25A	3/8"-16 x 3/4" Spinlock Bolt	9904.2201	14
25B	3/8"-16 x 1-1/2" Button Socket Head Cap Screw (for Sprocket Mounting).....	9904.9203	6
25C	3/8"-16 x 1-3/4" Spinlock Bolt.....	9904.2205	2
25D	3/8"-16 x 3/4" Hex Head Cap Screw	9904.1201	12
25E	3/8"-16 x 3" Hex Head Cap Screw (for Clutch/Reduction Unit).....	9904.1208	2
25F	3/8"-16 x 7/8" Button Socket Head Cap Screw	9904.9201	6
25G	3/8"-16 x 1" Steel Carriage Bolt w/ Nut (for Motor Mounting) (includes Item 27A).....	9904.0200	4
25H	7/16"-14 x 1-1/4" Hex Head Bolt (for Riser Flange).....	9904.1303	4
25J	1/2"-13 x 1-3/4" Hex Head Bolt (for Manual Rewind)	9904.1405	4
26	O-Ring for 4" Riser	Specify Model	1
27A	3/8"-16 Spinlock Nut.....	9904.6200	8
27B	3/8"-16 Hex Jam Nut	9965.0012	12
28A	3/8" Flat Washer.....	9954.0007	4
28B	1/2" Split Lock Washer (Armor Coat).....	9954.0030	4
28C	1" Hub Spacer Washer - Plated (1-7/8" O.D. x 1-5/16" I.D. x 1/8" Thick) (not shown).....	9954.0021	As Req'd.
28D	4" Hub Spacer Washer (4" O.D. x 3.5" I.D. x 1/8" Thick) (not shown).....	Specify Model	As Req'd.
28E	EH-765 Special Spacer for Disc Sprocket (1" x 5/16" w/ 3/8" Hole).....	9954.0017	6
28F	Spacer Washer for Reduction Unit (1.25" O.D. x 0.406" I.D. x 1/4" Thick).....	9954.0047	2
28G	Clutch/Reduction Unit Spacer (2" O.D. x 1-1/4" Thick)	9954.0049	2
28H	Clutch/Reduction Unit Spacer (2" O.D. x 1/32" Thick).....	9954.0048	As Req'd.
28J	Spacer Block for 1" Self Aligning Bearing, per P28A-00430	9954.0001	2
28K	Pinion Bearing Aluminum Spacer Block (1/2" x 1-1/2" x 3-1/2"), per KDF1208	9914.0248	4
28L	Backing Plate for H-28 (E-Coated).....	9914.0582	1
38	4" FIPT Flange Iron Pipe Hub Assembly (Specify Model).....	9901.8040	1
45	4" 90 Deg FxF 300 PSI OPW Swivel Joint (BUNA).....	9934.6500	1
55A	Double Bearing Manual Rewind Assembly w/ H-29 (see ISO-209 for parts)	9914.0211	1
55B	H-18 Steel Hand Crank - 10" Length (E-Coated) (see ISO-214 for parts)	9914.0011	1
58	SX-001 12V DC Flange 1/2 HP 650 RPM Explosion Proof Motor.....	9915.0003	1
72A	146T40 Disc Sprocket - 23-1/2" Dia. (E-Coated)	9910.3128	1
72B	11T35 Motor Sprocket - 1-1/16" Long.....	9910.1117	1
87	Anodized Aluminum Threaded Spacer Pipe.....	Specify Model	12