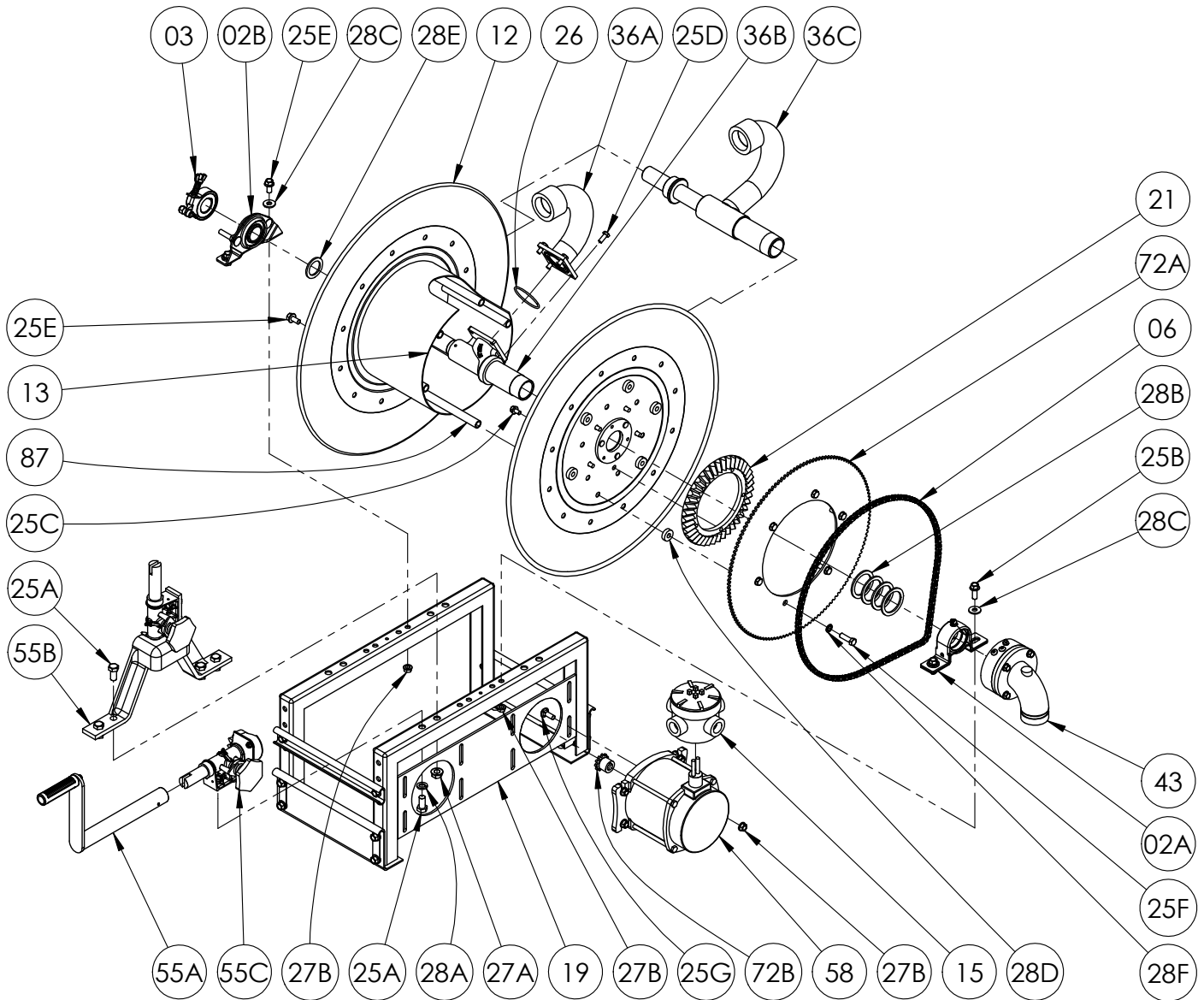


ISO 41
PARTS LIST

1-1/2" Hose Reel
Manual or Power Rewind
Roll Form Frame (≤ 36" disc size)



**PARTS LIST
ISO 41**

1-1/2" Hose Reel Manual or Power Rewind Roll Form Frame (≤ 36" disc size)

**When Ordering Parts
BE SURE TO SPECIFY COMPLETE MODEL NUMBER and SERIAL NUMBER OF REEL
USE PART NUMBER!**

<u>Item #</u>	<u>Description</u>	<u>Part #</u>	<u>Qty</u>
02A	1-1/2" (1.904" I.D.) Split Bronze Bearing Complete (see ISO-211 for parts).....	9902.1612	1
02B	1" Pipe-Size (1.287" I.D.) Self Aligning Bearing Complete (see ISO-210 for parts).....	9902.1400	1
03	Band (Comet) Brake (Bearing Mounted) Complete (see ISO-212 for parts).....	9947.0090	1
06	#35 Chain	Specify Model	1
12	Disc Assembly (includes Disc Washer) (Specify Front or Back)	Specify Model	2
13	Drum, 10-1/2" Dia. 14 GA Steel (Specify Model).....	9905.3131	1
15	Red Dot 5-Port Round Junction Box Complete.....	9917.0061	1
19	1-1/2" Steel Rollform Frame Assembly (Specify Model).....	9908.0155	1
21	H-26 Ring Gear	9914.0372	1
21	H-28 Ring Gear (not shown).....	9914.0382	1
25A	1/2"-13 x 1" Hex Head Bolt.....	9904.1402	2 or 4
25B	3/8"-16 x 1" Spinlock Bolt	9904.2202	2
25C	5/16"-18 x 1/2" Spinlock Bolt (for H-26 Ring Gear)	9904.2158	5
25D	5/16"-18 x 3/4" Hex Head Cap Screw (Grade 8).....	9904.1101	4
25E	3/8"-16 x 3/4" Spinlock Bolt	9904.2201	8
25F	3/8"-16 x 1-1/4" Hex Head Cap Screw (for 138T35 Sprocket).....	9904.1203	6
25G	3/8"-16 x 1" Steel Carriage Bolt w/ Nut (for Motor Mounting) (includes Item 27B).....	9904.0200	4
26	2-5/8" (BUNA) O-Ring for 1-1/2" Riser	9965.0028	1
26	2-5/8" (VITON w/ Red Mark) O-Ring for 1-1/2" Riser	9965.0029	1
27A	1/2"-13 Hex Spinlock Nut	9904.5400	4
27B	3/8"-16 Spinlock Nut.....	9904.6200	8
28A	1/2" Split Lock Washer (Armor Coat).....	9954.0030	2
28B	1-1/2" Hub Spacer Washer - Plated (2.5" O.D. x 1.920 I.D. x 0.125" Thick)	9954.0022	As Req'd.
28C	3/8" Flat Washer	9954.0007	4
28D	EH-765 Special Spacer for Disc Sprocket (1" x 5/16" w/ 3/8" Hole).....	9954.0017	6
28E	1" Hub Spacer Washer - Plated (1-7/8" O.D. x 1-5/16" I.D. x 1/8" Thick).....	9954.0021	As Req'd.
28F	3/8" Lock Washer, Internal Tooth (for 138T35 Sprocket).....	9954.0095	6
29	Woodruff Key #9 (3/16" x 3/4") (for Explosion Proof Motor and Strap Brake) (not shown)	9916.0080	2
36A	1-1/2" Iron Pipe Riser, only w/ O-Ring (Specify Riser Fitting) (includes Item 26).....	9901.3760	1
36A	1-1/2" FIPT Aluminum Riser, only w/ O-Ring (includes Item 26).....	9901.3762	1
36B	1-1/2" Flange Iron Pipe Hub, only (Specify Model)	9901.3640	1
36B	1-1/2" Flange Aluminum Hub, only (Specify Model).....	9901.3642	1
36C	1-1/2" One-Piece Welded Hub Assembly (Specify Model) (for 7500 Series)	9901.2848	1
43	WHJ-1590 Swivel Joint (BUNA) - 1-1/2" 90 Degree FxFxVIC 1000 PSI	9930.4210	1
43	WHJ-1590 Swivel Joint (VITON) - 1-1/2" 90 Degree FxFxVIC 1000 PSI	9930.4220	1
43	WHJ-1590-AL Swivel Joint (BUNA) - 1-1/2" 90 Degree FxFxVIC Aluminum 600 PSI (for Aviation) ..	9930.4312	1
55A	H-18 Steel Hand Crank - E-Coated (10" Length) (see ISO-214 for parts)	9914.0011	1
55B	VR-2 Vertical Rewind Assembly w/ H-27 (see ISO-209 for parts).....	9914.0223	1
55C	Manual Rewind Assembly w/ H-27 (see ISO-209 for parts).....	9914.0200	1
55C	Manual Rewind Assembly w/ H-29 (see ISO-209 for parts) (not shown)	9914.0210	1
58	SX-001 12V DC Flange 1/2 HP 650 RPM Explosion Proof Motor.....	9915.0003	1
72A	112T35 Disc Sprocket - 13-3/8" Dia. (E-Coated).....	9910.1321	1
72A	138T35 Disc Sprocket - 16-5/8" Dia. (E-Coated)	9910.1423	1
72A	180T35 Disc Sprocket - 21-3/4" Dia. (E-Coated)	9910.1526	1
72B	11T35 Motor Sprocket - 1-5/16" Long (Plated).....	9910.1118	1
87	Anodized Aluminum Threaded Spacer Pipe.....	Specify Model	6