



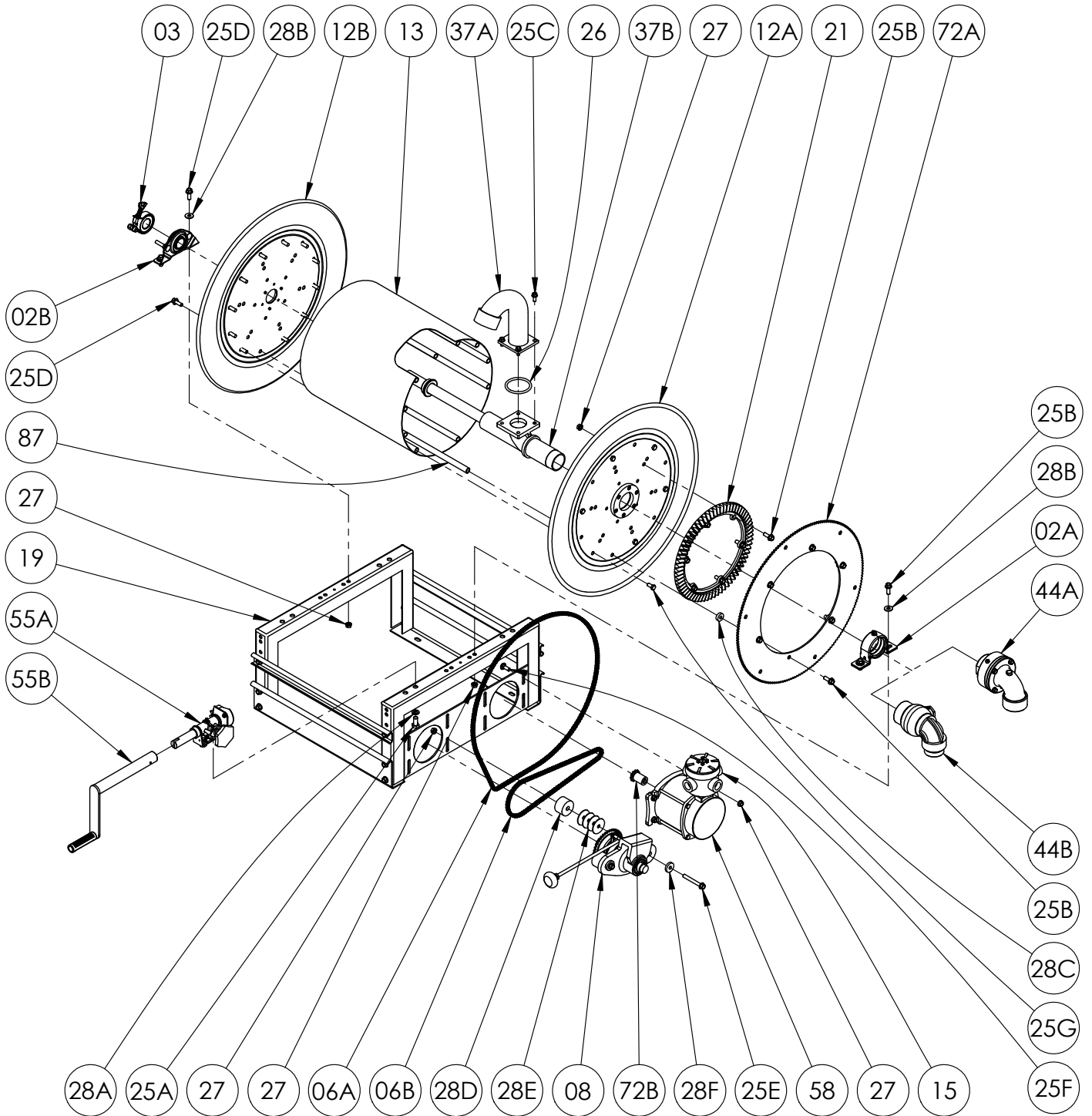
Hannay Reels®
The reel leader.

Hannay Reels, Inc.
553 State Route 143, Westerlo, NY 12193
www.hannay.com
Email: reels@hannay.com

Phone 1-518-797-3791
Toll Free 1-877-GO-REELS (467-3357)
Fax 1-800-REELING (733-5464)
Int'l Fax 1-518-797-3259

ISO 35
PARTS LIST

2" HOSE REELS



**PARTS LIST
ISO 35
2" HOSE REELS**

**When Ordering Parts
BE SURE TO SPECIFY COMPLETE MODEL NUMBER and SERIAL NUMBER OF REEL
USE PART NUMBER!**

<u>Item No.</u>	<u>Description</u>	<u>Part No.</u>	<u>Qty</u>
02A	2" Pipe-Size (2.37" I.D.) 304 Stainless Steel Bronze Bearing Complete (see ISO-211 for parts) ..	9902.2350	1
02B	1" Pipe-Size (1.287" I.D.) Self Aligning Bearing Complete (see ISO-210 for parts)	9902.1400	1
03	Band (Comet) Brake Assembly (Bearing-Mounted) (see ISO-212 for parts).....	9947.0090	1
06A	Chain, #35 (for Disc Sprocket)	Specify Model	1
06A	Chain, #40 (for Disc Sprocket) (not shown).....	Specify Model	1
06B	Chain, #35 (for Clutch/Reduction Unit).....	Specify Model	1
08	Manual Clutch/Reduction Unit (see ISO-160 for parts)	Specify Model	1
08	Reduction Unit (see ISO-155 for parts) (not shown)	Specify Model	1
08	Electric Clutch/Reduction Unit (see ISO-249 for parts) (not shown)	Specify Model	1
12A	Front Disc	Specify Model	1
12B	Back Disc.....	Specify Model	1
13	Drum, 15-1/2" Dia. 14 GA Steel (Specify Model).....	9905.3171	1
15	Red Dot 5-Port Round Junction Box Complete	9917.0060	1
19	2" Rollform Frame Assembly	Specify Model	1
21	H-28 Ring Gear	9914.0382	1
25A	1/2"-13 x 1" Hex Head Bolt (for Rewind Assembly).....	9904.1402	2
25B	3/8"-16 x 1" Spinlock Bolt	9904.2202	14
25C	5/16"-18 x 3/4" Hex Head Cap Screw (for Riser Flange)	9904.1101	4
25D	3/8"-16 x 3/4" Spinlock Bolt	9904.2201	14
25E	3/8"-16 x 3" Hex Head Cap Screw (for Clutch/Reduction Unit).....	9904.1208	2
25E	3/8"-16 x 1-1/4" Spinlock Bolt (for Reduction Unit) (not shown)	9904.2203	2
25F	3/8"-16 x 1" Steel Carriage Bolt w/ Nut (for Motor Mounting) (includes Item 27)	9904.0200	4
25G	3/8"-16 x 3/4" Hex Head Cap Screw (for under Disc Sprocket)	9904.1201	6
26	3-1/8" (BUNA) O-Ring for 2" Steel Riser	9965.0027	1
27	3/8"-16 Spinlock Nut	9904.6200	16
28A	1/2" Split Lock Washer (Armor Coat) (for Rewind Assembly).....	9954.0030	2
28B	3/8" Flat Washer	9954.0007	4
28C	EH-765 Special Spacer for Disc Sprocket (1" O.D. x 3/8" I.D. x 5/16" Thick)	9954.0017	6
28D	Clutch/Reduction Unit Spacer (2" O.D. x 1-1/4" Thick)	9954.0049	2
28E	Clutch/Reduction Unit Spacer (2" O.D. x 1/32" Thick).....	9954.0048	As Req'd.
28F	Spacer Washer for Reduction Unit Mounting Bolts (1.25" O.D. x 0.406" I.D. x 1/4" Thick).....	9954.0047	2
37A	2" Iron Pipe Riser, only (Specify Model/Riser Fitting).....	9901.5760	1
37A	2" FIPT Aluminum Riser (not shown).....	9901.5762	1
37B	2" Flange Iron Pipe Hub, only (Specify Model).....	9901.5640	1
37B	2" Flange Aluminum Hub, only (Specify Model) (not shown)	9901.5642	1
44A	WHJ-2290 Swivel Joint (BUNA) - 2" 90° FxF Ductile 600 PSI	9931.4521	1
44A	WHJ-290 Swivel Joint (VITON) - 2" Fx1.5" Fx2" VIC Ductile 600 PSI (not shown).....	9931.4210	1
44B	2" 90° FxVIC Aluminum 150 PSI OPW Swivel Joint (BUNA)	9931.6302	1
55A	Manual Bevel Gear Rewind Assembly (see ISO-209 for parts).....	Specify Model	1
55B	H-18 Steel Hand Crank (E-Coated) - 10" Length Complete (see ISO-214 for parts).....	9914.0011	1
58	SX-001 12V DC Flange 1/2 HP 650 RPM Motor.....	9915.0003	1
72A	180T35 Disc Sprocket - 21-3/4" Dia. (E-Coated) (for disc sizes up to 35-36).....	9910.1526	1
72A	146T40 Disc Sprocket - 23-1/2" Dia. (E-Coated) (for disc sizes 39-40 and up) (not shown)	9910.3128	1
72B	11T35 Sprocket, 1-5/16" Long (Plated)	9910.1118	1
72B	11T35 Sprocket, 3/4" Long (for reels with Clutch/Reduction Units) (not shown).....	9910.1116	1
87	Anodized Aluminum Threaded Spacer Pipe.....	Specify Model	12