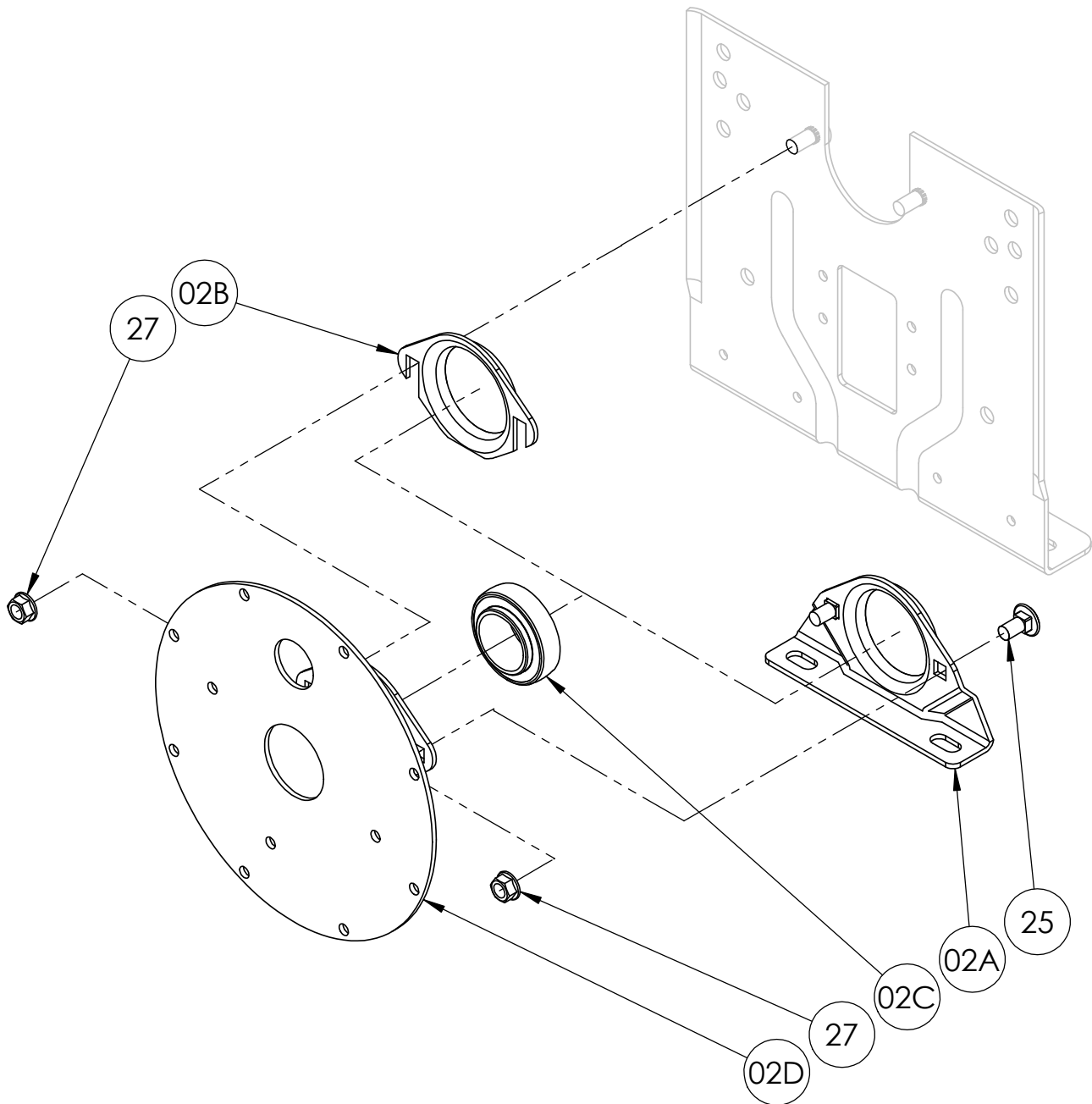


**Self Aligning Bearing
with Collector Backing
Plate Assembly**



PARTS LIST
ISO 259
Self Aligning Bearing with Collector Backing Plate Assembly

When Ordering Parts
BE SURE TO SPECIFY COMPLETE MODEL NUMBER and SERIAL NUMBER OF REEL
USE PART NUMBER!

<u>Item No.</u>	<u>Description</u>	<u>Part No.</u>	<u>Quantity</u>
-	Collector Backing Plate Assembly (Pillow Block Holder) - E-Coated	9943.0031	1
-	Collector Backing Plate Assembly (Pillow Block Holder) - 304 Stainless Steel.....	9943.0036	1
-	Collector Backing Plate Assembly (N-Series Holder) - E-Coated.....	9943.0032	1
02A	Self Aligning Bearing Pillow Block Piece - E-Coated.....	9902.2900	1
02A	Self Aligning Bearing Pillow Block Piece - Stainless Steel	9902.2902	1
02B	Self Aligning Bearing Holder (Slotted for N-Series) - E-Coated.....	9902.2801	1
02B	Self Aligning Bearing Holder (Slotted for N-Series) - Stainless Steel.....	9902.2904	1
02C	1-1/2" (1.5" I.D.) Cable Bearing Insert	9902.4001	1
02D	Collector Backing Plate w/ Bearing Holder.....	9943.0005	1
02D	Collector Backing Plate w/ Bearing Holder - 304 Stainless Steel.....	9943.0015	1
25	3/8"-16 x 3/4" Steel Carriage Bolt w/ Nut (includes Item 27).....	9904.0201	2
25	3/8"-16 x 3/4" Stainless Steel Carriage Bolt	9960.0096	2
27	3/8"-16 Spinlock Nut.....	9904.6200	2
27	3/8"-16 Stainless Steel Spinlock Nut.....	9960.0091	2