



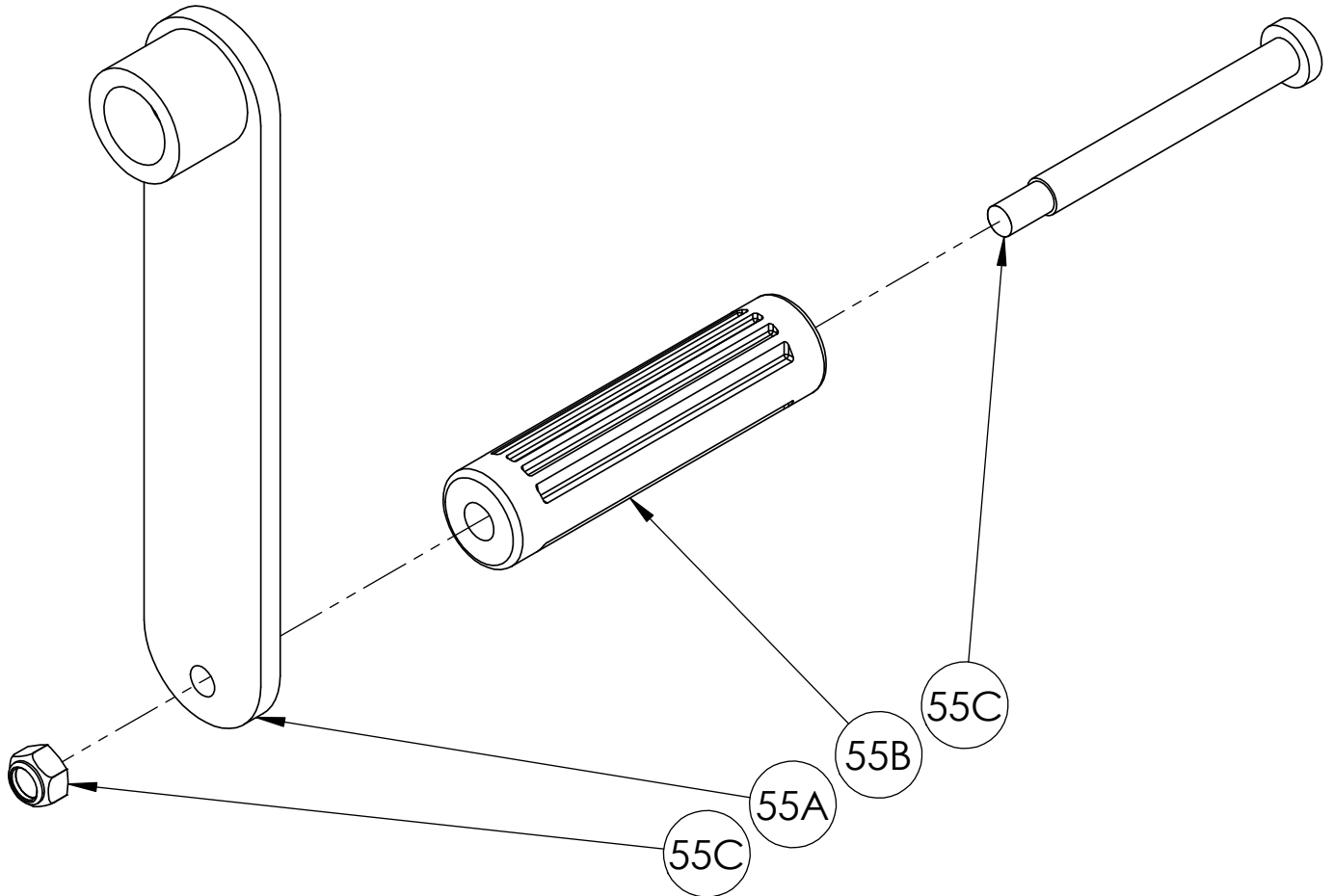
**Hannay Reels®**  
*The reel leader.*

Hannay Reels, Inc.  
553 State Route 143, Westerlo, NY 12193  
www.hannay.com  
Email: reels@hannay.com

Phone 1-518-797-3791  
Toll Free 1-877-GO-REELS (467-3357)  
Fax 1-800-REELING (733-5464)  
Int'l Fax 1-518-797-3259

## ISO 255 PARTS LIST

### 1/2" & 1" Threaded Crank Handle Assembly



**PARTS LIST**  
**ISO 255**  
**1/2" & 1" Threaded Crank Handle Assembly**

**When Ordering Parts**  
**BE SURE TO SPECIFY COMPLETE MODEL NUMBER and SERIAL NUMBER OF REEL**  
**USE PART NUMBER!**

<u>Item No.</u>	<u>Description</u>	<u>Part No.</u>	<u>Quantity</u>
-	Hand Crank for 1000 Series - E-Coated (5" Length).....	9914.0020	1
-	Hand Crank - E-Coated (for 1/2" Hubs) .....	9914.0021	1
-	Offset Hand Crank for AT1100.....	9914.0071	1
-	Hand Crank (for 1" Hubs).....	9914.0041	1
-	Stainless Steel Hand Crank (for 1/2" Hubs) .....	9914.0024	1
-	Stainless Steel Hand Crank (for 1" Hubs).....	9914.0044	1
55A	Crank Weldment, only (for 1/2" Hubs).....	9914.0028	1
55A	Stainless Steel Crank Weldment, only (for 1/2" Hubs).....	9914.0025	1
55A	Crank Weldment, only (for 1" Hubs) (not shown).....	9914.0042	1
55A	Stainless Steel Crank Weldment, only (for 1" Hubs) (not shown) .....	9914.0045	1
55A	1000 Series (5" Length) Crank Weldment, only (not shown) .....	9914.0029	1
55A	AT1100 Series Offset Crank Weldment, only (not shown).....	9914.0027	1
55B	Black Plastic Handle for Crank, only .....	9914.0506	1
55C	3/8" Round Shoulder Bolt w/ Nut for Black Plastic Handle.....	9914.0511	1