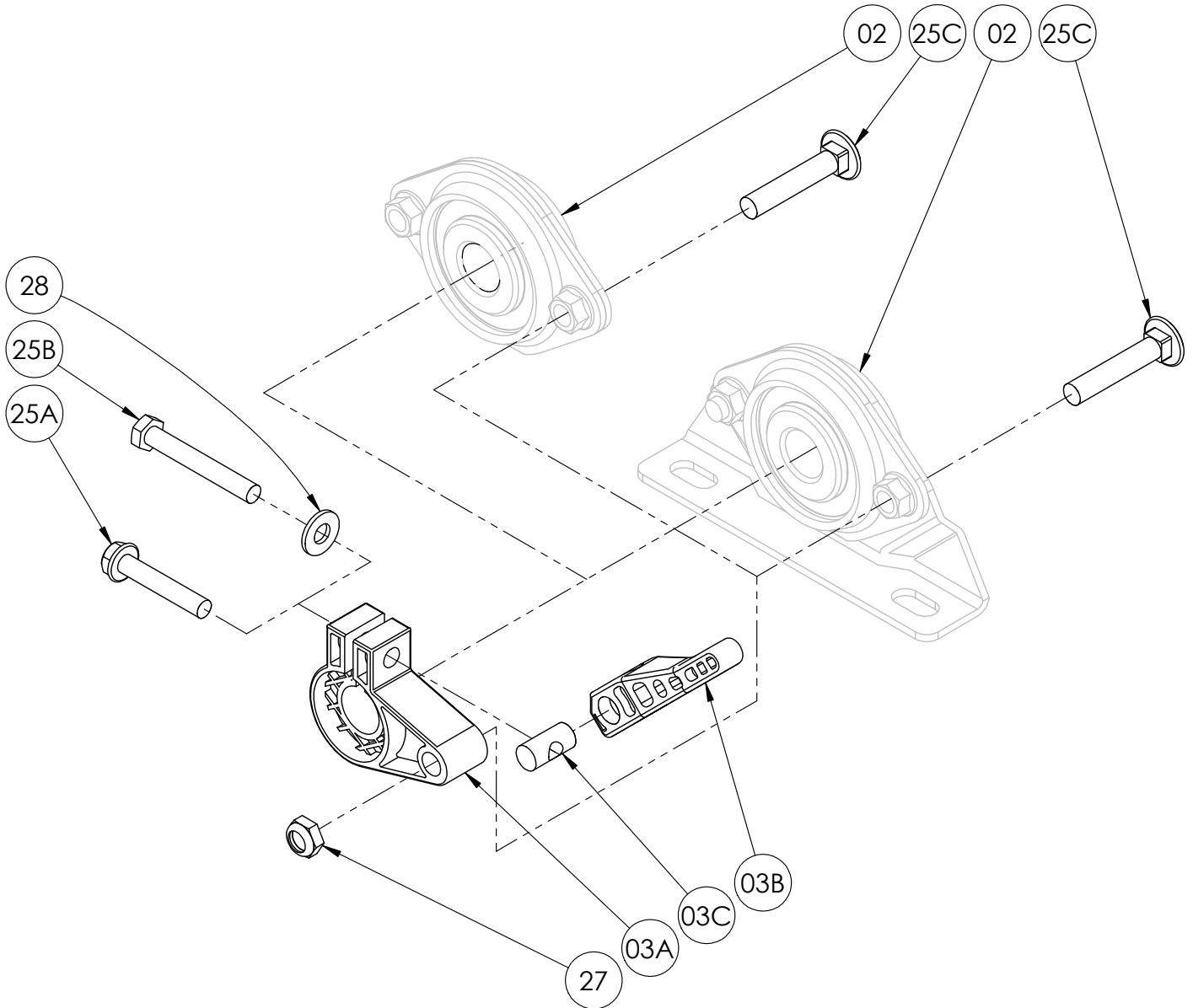


**ISO 254**  
**PARTS LIST**  
**CAM-LOCK**  
**BRAKE ASSEMBLY**



**PARTS LIST**  
**ISO 254**  
**Cam-Lock Brake Assembly**

**When Ordering Parts**  
**BE SURE TO SPECIFY COMPLETE MODEL NUMBER and SERIAL NUMBER OF REEL**  
**USE PART NUMBER!**

<u>Item No.</u>	<u>Description</u>	<u>Part No.</u>	<u>Qty</u>
-	Cam Lever Drag Brake Kit (for 1/2" Hubs) .....	9947.0130	1
-	Cam Lever Drag Brake Kit (for 1" Hubs) .....	9947.0140	1
-	Cam Lever Drag Brake Kit w/ 304 Stainless Steel Mounting Hardware (for 1/2" Hubs) .....	9947.0129	1
-	Cam Lever Drag Brake Kit w/ 304 Stainless Steel Mounting Hardware (for 1" Hubs) .....	9947.0139	1
02	Self Aligning Bearing Complete (see ISO-210 for parts) .....	Specify Model	1
03A	Cam Drag Brake (Hub Piece, only) (for 1/2" Hubs) .....	9947.0131	1
03A	Cam Drag Brake (Hub Piece, only) (for 1" Hubs) (not shown) .....	9947.0141	1
03B	Cam Lock Lever .....	9947.0132	1
03C	Brass Barrel Nut .....	9947.0133	1
25A	5/16"-18 x 1-3/4" Bolt w/ Nylok Patch .....	9947.0134	1
25A	5/16"-18 x 1-3/4" 304 Stainless Steel Bolt .....	9947.0137	1
25B	5/16"-18 x 2-1/4" Hex Head Bolt (for 1" Hubs) .....	9904.1107	1
25B	5/16"-18 x 2-1/4" 304 Stainless Steel Bolt (for 1" Hubs) .....	9947.0138	1
25C	3/8"-16 x 2" Carriage Bolt (replaces one Self Aligning Bearing Carriage Bolt) .....	9904.0206	1
25C	3/8"-16 x 2" Stainless Steel Carriage Bolt (replaces one Self Aligning Bearing Carriage Bolt) .....	9960.0097	1
27	3/8"-16 Stainless Steel Thin Nylon Lock Nut .....	9960.0099	1
28	5/16" Flat Washer (for 1" Hubs) .....	9954.0006	1
28	5/16" Stainless Steel Flat Washer (for 1" Hubs) .....	9960.0094	1