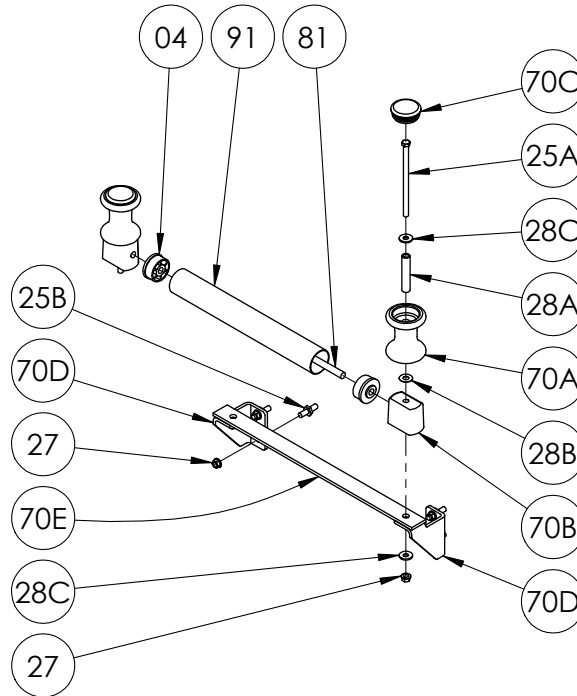


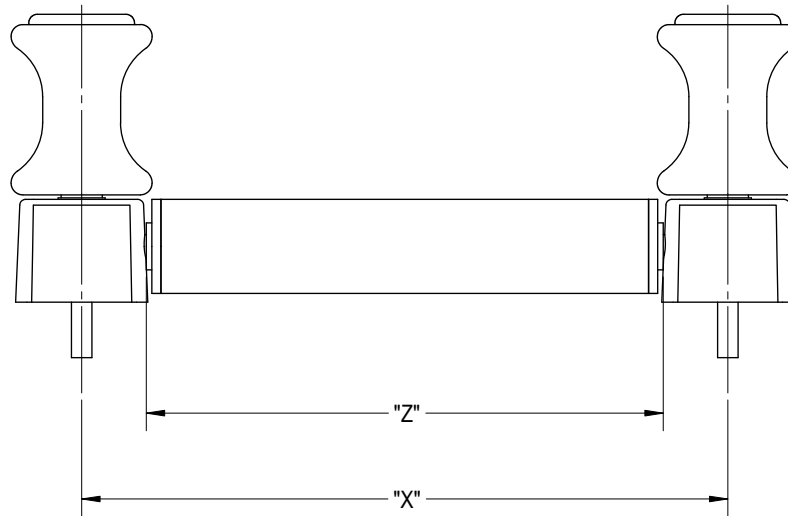
ISO 252
PARTS LIST
BOTTOM WIND FH-3
ROLLER & SPOOL
ASSEMBLY



**When Ordering Parts BE SURE TO SPECIFY COMPLETE MODEL NUMBER and SERIAL NUMBER OF REEL
USE PART NUMBER!**

| <u>Item No.</u> | <u>Description</u> | <u>Part No.</u> | <u>Quantity</u> |
|---|---|-----------------|-----------------|
| Complete Assemblies (Mounting Brackets (Items 70D and 70E) must be ordered separately) | | | |
| - | FH Complete Spool Assembly - Pair (Less SST Roller, Rod & Trunnion Bearings)..... | 9940.0013 | 1 |
| - | FH-3 Roller & Spool Assembly (Specify Length, up to 30" Drum)..... | 9939.0042 | 1 |
| - | FH-3 Roller & Spool Assembly (Specify Length, 31" to 50" Drums)..... | 9939.0043 | 1 |
| - | FH-3 Bottom-Wind Mounting Brackets w/ Hardware (Specify Model)..... | 9941.0024 | 1 |
| - | FH-3 Stainless Steel Bottom-Wind Mounting Brackets w/ Hardware (Specify Model)..... | 9941.0026 | 1 |
| 04 | FH-303-2, 2" Black Trunnion Bearing (Thru Hole Style)..... | 9940.0008 | 2 |
| 25A | 3/8"-16 x 6-1/2" Hex Head Cap Screw | 9940.0017 | 2 |
| 25B | 3/8"-16 Double-Ended Stud w/ Hex, per KDF2361 | 9940.0301 | 4 |
| 27 | 3/8"-16 Spinlock Nut..... | 9904.6200 | 6 |
| 28A | FH-3 Roller Bushing (3/8" I.D. x 3.13" Long) for Roller Bolt..... | 9940.0018 | 2 |
| 28B | Nylon Washer | 9940.0014 | 2 |
| 28C | 3/8" Flat Washer | 9954.0007 | 4 |
| 70A | FH-301 Spool | 9940.0005 | 2 |
| 70B | FH-302 Block..... | 9940.0006 | 2 |
| 70C | FH-309-P (Black Plastic) Cap..... | 9940.0002 | 2 |
| 70D | FH-3 Bottom-Wind Mounting Bracket Pair - Steel | 9940.0058 | 1 |
| 70D | FH-3 Bottom-Wind Mounting Bracket Pair - Aluminum | 9940.0059 | 1 |
| 70E | FH-3 Cross Member Brace - Steel (Specify Model) | 9940.0062 | 1 |
| 70E | FH-3 Cross Member Brace - Aluminum (Specify Model)..... | 9940.0066 | 1 |
| 81 | FH-304, 1/2" Dia. 303 Stainless Steel Roller Rod (Specify Length)..... | 9940.0009 | 1 |
| 91 | FH-305, 2" Stainless Steel Roller Tubing (Specify Length)..... | 9940.0010 | 1 |

**ISO 252
BOTTOM WIND FH-3 ROLLER MODELS**



| FH Roller Model | Hannay Part Number | Drum Length (in) | Roller Length "Z" w/bushings (in) | Mtg. Hole "X" Dimension (in) |
|------------------------|---------------------------|-------------------------|--|-------------------------------------|
| FH-306 | 9939.0027 | 6.0 | 6.5 | 9.25 |
| FH-307.5 | 9939.0029 | 7.5 | 8.0 | 10.75 |
| FH-308 | 9939.0021 | 8.0 | 8.5 | 11.25 |
| FH-309.5 | 9939.0030 | 9.5 | 10.0 | 12.75 |
| FH-310 | 9939.0022 | 10.0 | 10.5 | 13.25 |
| FH-311.5 | 9939.0031 | 11.5 | 12.0 | 14.75 |
| FH-312 | 9939.0028 | 12.0 | 12.5 | 15.25 |
| FH-313.5 | 9939.0032 | 13.5 | 14.0 | 16.75 |
| FH-314 | 9939.0024 | 14.0 | 14.5 | 17.25 |
| FH-315.5 | 9939.0033 | 15.5 | 16.0 | 18.75 |
| FH-316 | 9939.0025 | 16.0 | 16.5 | 19.25 |
| FH-317.5 | 9939.0034 | 17.5 | 18.0 | 20.75 |
| FH-318 | 9939.0026 | 18.0 | 18.5 | 21.25 |
| FH-320 | 9939.0035 | 20.0 | 20.5 | 23.25 |
| FH-322 | 9939.0036 | 22.0 | 22.5 | 25.25 |
| FH-324 | 9939.0037 | 24.0 | 24.5 | 27.25 |
| FH-326 | 9939.0038 | 26.0 | 26.5 | 29.25 |
| FH-328 | 9939.0039 | 28.0 | 28.5 | 31.25 |
| FH-329.5 | 9939.0040 | 29.5 | 30.0 | 32.75 |
| FH-330 | 9939.0020 | 30.0 | 30.5 | 33.25 |
| FH-338 | 9939.0041 | 38.0 | 38.5 | 41.25 |
| All other lengths | 9939.0042 | --- | --- | --- |

*NOTES: 1) Actual roller tubing cut length is 5/8" less than "Z" dimension.
2) FH cross-bracket piece is always 6" longer than drum length of reel.*