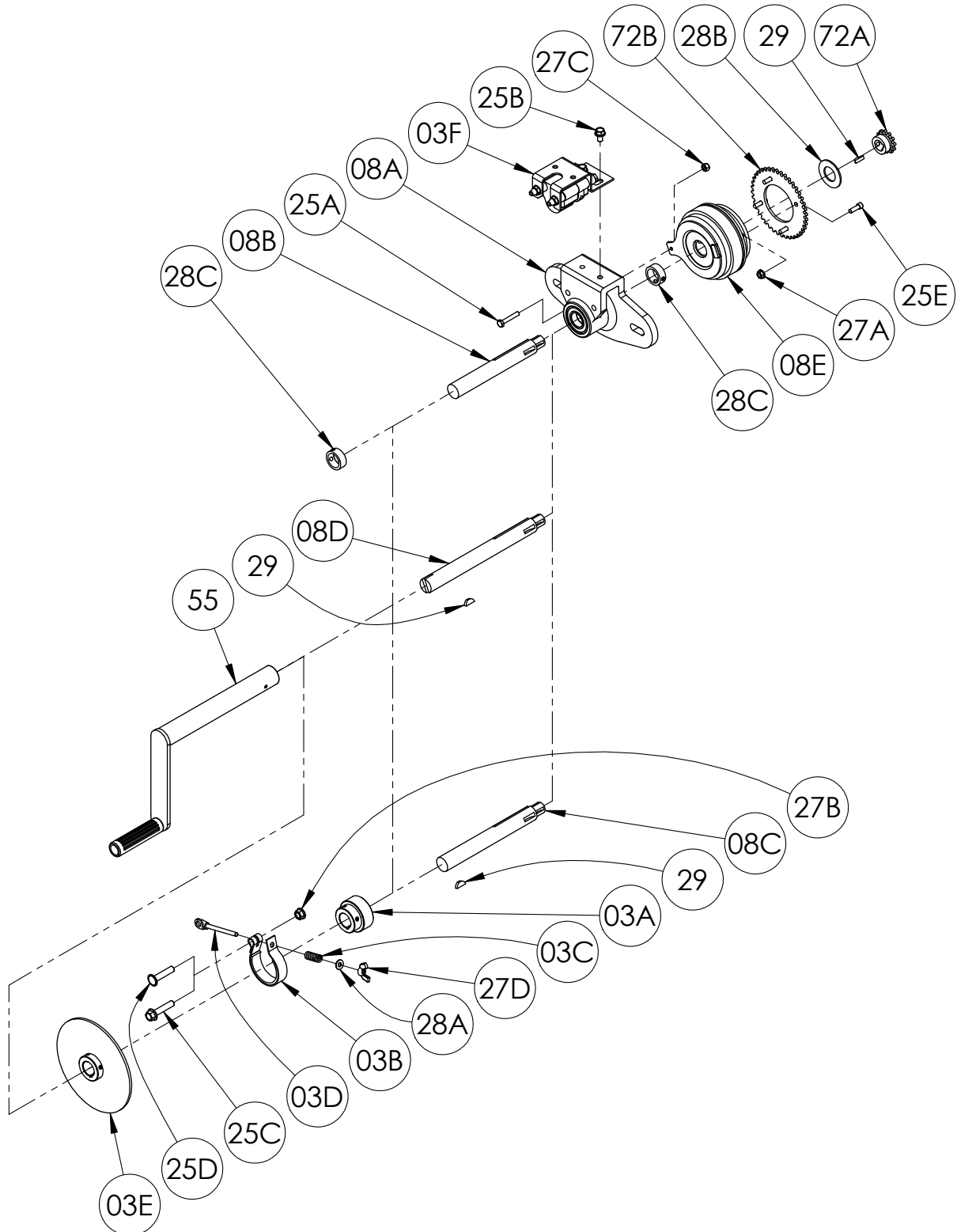


ISO 249
PARTS LIST
CLUTCH REDUCTION
UNIT ASSEMBLY
w/ Electric Clutch



PARTS LIST
ISO 249
Clutch/Reduction Unit Assembly (w/ Electric Clutch)

When Ordering Parts
BE SURE TO SPECIFY COMPLETE MODEL NUMBER and SERIAL NUMBER OF REEL
USE PART NUMBER!

| <u>Item #</u> | <u>Description</u> | <u>Part #</u> | <u>Qty</u> |
|---------------|---|---------------|------------|
| 03A | Band (Comet) Brake Iron Hub (1" Bore) | 9947.0042 | 1 |
| 03B | Band (Comet) Brake Strap | 9947.0091 | 1 |
| 03C | SST Band (Comet) Brake Spring (1-5/16" Length)..... | 9947.0096 | 1 |
| 03D | 1/4"-20 Band Brake Tension Adjustment Rod (3-1/2" Long)..... | 9947.0094 | 1 |
| 03D | 1/4"-20 Band Brake Tension Adjustment Rod (4-3/4" Long) for Air Brake (not shown)..... | 9947.0104 | 1 |
| 03E | Brake Disc Assembly w/ Keyed Arbor (6-5/8" O.D. x 1" I.D.) for Air Brake..... | 9947.0150 | 1 |
| 03F | Standard Air Caliper Brake (P-38)..... | 9947.0020 | 1 |
| 08A | Clutch/Reduction Unit Housing w/ Two Bearings (Specify Configuration)..... | 9948.0015 | 1 |
| 08B | Clutch/Reduction Shaft (1" Dia., 3/4" Step x 8" Long), per P08A-00410 (for Standard Units) | 9948.0023 | 1 |
| 08C | Clutch/Reduction Shaft (1" Dia., 3/4" Step x 9" Long), per P08A-00420 (for Air and/or Comet Brake)..... | 9948.0022 | 1 |
| 08D | Clutch/Reduction Shaft (1" x 3/4" Dia. x 10.5" Long), per P08A-00430 (for Auxiliary Rewind) | 9948.0019 | 1 |
| 08E | Warner Electric (12V) Clutch (#5215-58) | 9948.0091 | 1 |
| 25A | 1/4"-20 x 1-1/2" Hex Head Bolt..... | 9904.1004 | 1 |
| 25B | 5/16"-18 x 1/2" Spinlock Bolt (for Air Brake)..... | 9904.2158 | 2 |
| 25C | 3/8"-16 x 1-3/4" Spinlock Bolt..... | 9904.2205 | 1 |
| 25D | 3/8"-16 x 1-3/4" Spinlock Bolt (Head ground down to clear Disc Brake for Air Brake) | 9947.0151 | 1 |
| 25E | 1/4"-20 x 3/4" Stainless Steel Socket Head Cap Screw | 9945.0054 | 4 |
| 27A | 1/4"-20 Small Flange Spinlock Nut (Armor Coat)..... | 9904.6000 | 4 |
| 27B | 3/8"-16 Spinlock Nut..... | 9904.6200 | 1 |
| 27C | 1/4"-20 ESNA Lock Nut | 9958.0015 | 1 |
| 27D | 1/4"-20 Band (Comet) Brake Wing Nut | 9947.0095 | 1 |
| 28A | 1/4" Flat Washer | 9954.0005 | 1 |
| 28B | Spacer (1-5/8" O.D. x 1" I.D. x 0.075" Thick)..... | 9954.0035 | 1 |
| 28C | PSC-1 Pinion Shaft Collar w/ Set Screw | 9914.0351 | 1 or 2 |
| 29 | Woodruff Key #9 (3/16" x 3/4") | 9916.0080 | 1 or 2 |
| 55 | H-18 Steel Hand Crank - E-Coated (10" Length) (see ISO-214 for parts) | 9914.0011 | 1 |
| 72A | Reduction Unit Sprocket - 12T35 w/ 3/4" Bore (3/4" Long) | 9948.0026 | 1 |
| 72A | Reduction Unit Sprocket - 12T35 w/ 3/4" Bore (1" Long) (not shown) | 9948.0029 | 1 |
| 72A | Reduction Unit Sprocket - 12T40 w/ 3/4" Bore (not shown)..... | 9948.0027 | 1 |
| 72B | Reduction Unit Sprocket - 40T35 (Bolt-On) | 9948.0049 | 1 |
| 72B | Reduction Unit Sprocket - 48T35 (Bolt-On) (not shown)..... | 9948.0044 | 1 |
| 72B | Reduction Unit Sprocket - 60T35 (Bolt-On) (not shown)..... | 9948.0050 | 1 |