



Hannay Reels, Inc.
553 State Route 143, Westerlo, NY 12193
www.hannay.com
Email: reels@hannay.com

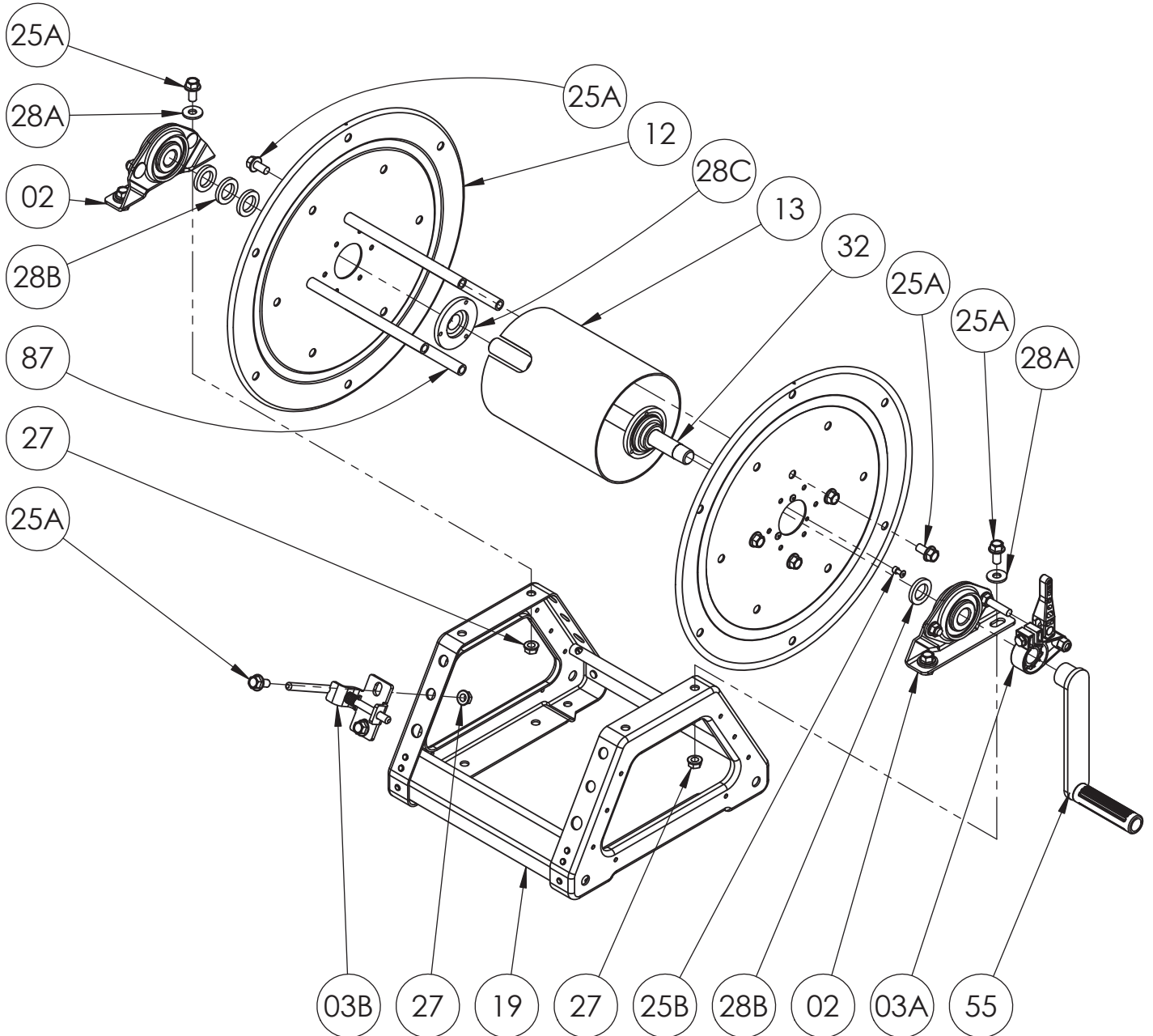
Phone 1-518-797-3791
Toll Free 1-877-GO-REELS (467-3357)
Fax 1-800-REELING (733-5464)
Int'l Fax 1-518-797-3259

ISO 218

PARTS LIST

SERIES C & AVC 1500

Manual Rewind



PARTS LIST
ISO 218
Series C & AVC 1500 Manual Rewind

When Ordering Parts
BE SURE TO SPECIFY COMPLETE MODEL NUMBER and SERIAL NUMBER OF REEL
USE PART NUMBER!

<u>Item No.</u>	<u>Description</u>	<u>Part No.</u>	<u>Quantity</u>
02	1/2" Pipe-Size Self Aligning Bearing Complete (see ISO-210 for parts)	9902.1200	2
03A	Cam Lock Drag Brake Complete (see ISO-254 for parts).....	9947.0130	1
03B	PL-1 Pinlock Complete - Steel E-Coated (see ISO-152 for parts).....	9965.0030	1
12	(17-18) 16-1/2" Dia., 14 GA Disc	9903.0516	2
13	Drum, 6" Dia Aluminum (Specify Model)	9905.7112	1
19	Trapezoid Frame Assembly (Steel E-Coated) - Specify Model	9908.1000	1
25A	3/8"-16 x 3/4" Spinlock Bolt	9904.2201	14
25B	3/16" x 3/8" Blind Pop Rivet - SST (for Disc Washer).....	9949.0212	3
27	3/8"-16 Spinlock Nut	9904.6200	6
28A	3/8" Flat Washer	9954.0007	4
28B	1/2" Hub Spacer, 3/16" Thick (Plated Steel).....	9954.0020	As Req.
28C	P28A-01160 Disc Washer For 1500	9965.0040	1
32	1/2" Straight Iron Pipe Hub Assembly (C1500 Series) - Specify Model	9901.1050	1
55	Threaded Hand Crank - 1500 Series (see ISO-255 for parts).....	9914.0021	1
56	Black Gear Tie, 12" Long - for AVC1500 (not shown).....	9949.0082	1 or 2
87	Anodized Aluminum Threaded Spacer Pipe.....	Spec Model	4