



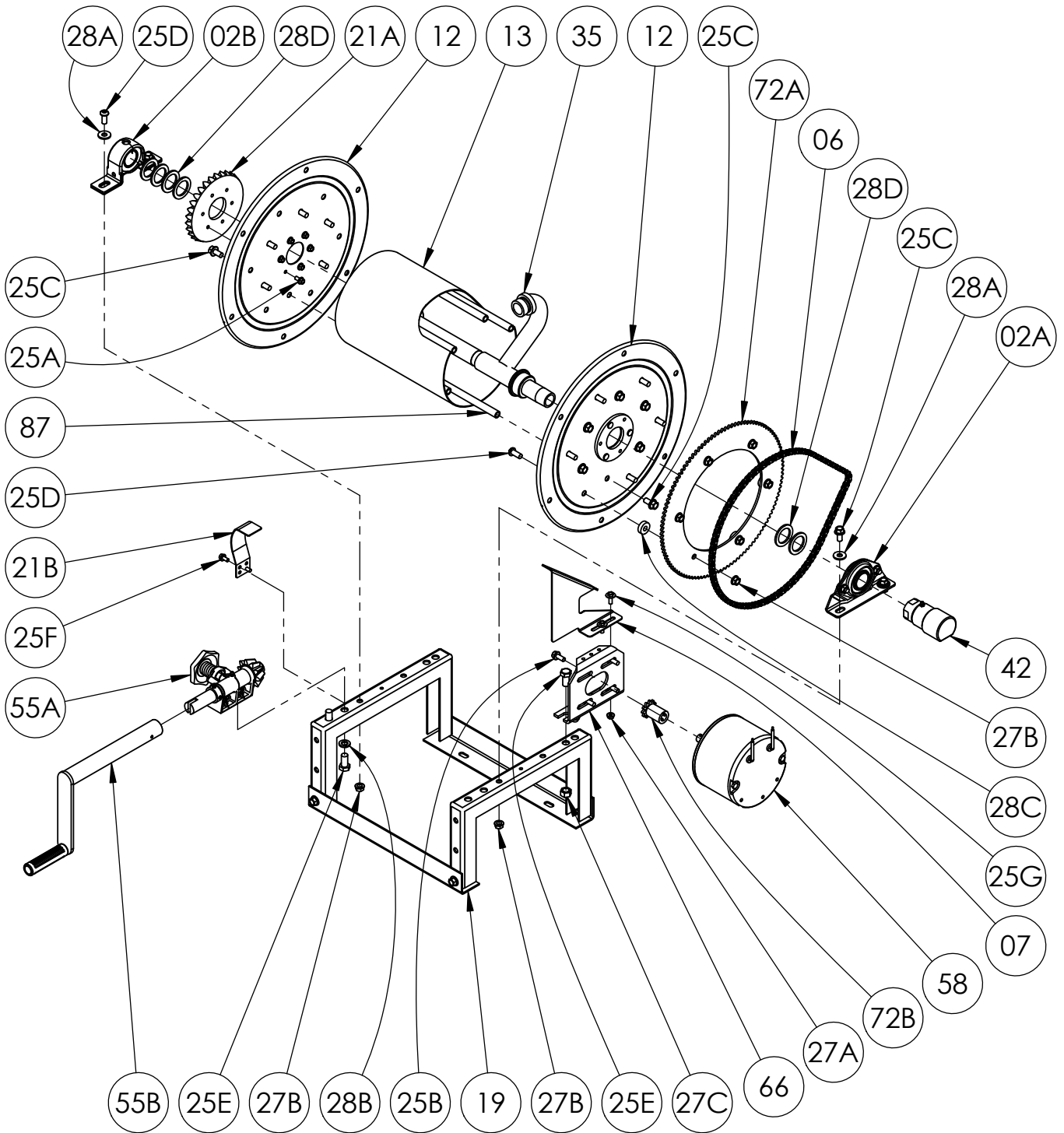
Hannay Reels®
The reel leader.

Hannay Reels, Inc.
553 State Route 143, Westerlo, NY 12193
www.hannay.com
Email: reels@hannay.com

Phone 1-518-797-3791
Toll Free 1-877-GO-REELS (467-3357)
Fax 1-800-REELING (733-5464)
Int'l Fax 1-518-797-3259

ISO 216
PARTS LIST

4100 & F4100 SERIES



**PARTS LIST
ISO 216
4100 & F4100 Series**

**When Ordering Parts
BE SURE TO SPECIFY COMPLETE MODEL NUMBER and SERIAL NUMBER OF REEL
USE PART NUMBER!**

<u>Item No.</u>	<u>Description</u>	<u>Part No.</u>	<u>Qty</u>
02A	1" Pipe-Size (1.287" I.D.) Self Aligning Bearing Complete (see ISO-210 for parts)	9902.1400	1
02B	1" Pipe-Size (1.287" I.D.) Bronze/Aluminum Strap Bearing Complete (see ISO-211 for parts)	9902.1630	1
06	#35 Chain - 116 Links (43-1/2") w/ Connecting Link	9912.0028	1
07	Chain Guard for 4100 Series reels, per P07A-00390 (Specify Model and Right/Left)	9957.0035	1
12	(17-18) 16-1/2" Dia. 14 GA Steel Disc w/ Disc Washer	9903.0721	2
13	Drum, 8" Dia. 14 GA Steel (Specify Model).....	9905.3121	1
19	1-1/2" Steel Rollform Frame Assembly (Specify Model).....	9908.0140	1
21A	Ring Gear for 8" Drums, per P21A-00060.....	9914.0360	1
21B	Gear Guard for reels w/ 8" Drums, per P21A-00070.....	9914.0620	1
25A	1/4"-20 x 1/2" Hex Head Spinlock Cap Screw (for Ring Gear).....	9904.1058	6
25B	5/16"-18 x 3/4" Spinlock Bolt (for Motor Mounting).....	9904.2101	4
25C	3/8"-16 x 3/4" Spinlock Bolt	9904.2201	15
25D	3/8"-16 x 7/8" Button Socket Head Cap Screw	9904.9201	7
25E	1/2"-13 x 1" Hex Head Bolt (for Motorplate)	9904.1402	4
25F	1/4"-20 x 1/2" Hex Washer Head Tap Tite Screw (for Rewind Gear Guard).....	9904.1070	2
25G	1/4"-20 x 3/4" Hex Washer Head Black Zinc Screw (for Motor Chainguard).....	9904.1071	2
27A	1/4"-20 Small Flange Spin Lock Nut - Armor Coat (for Chainguard).....	9904.6000	2
27B	3/8"-16 Spinlock Nut.....	9904.6200	10
27C	1/2"-13 Hex Spinlock Nut (for Motorplate).....	9904.5400	2
28A	3/8" Flat Washer	9954.0007	4
28B	1/2" Split Lock Washer (Armor Coat).....	9954.0030	2
28C	Sprocket Spacer Washer (1" O.D. x 0.381" I.D. x 1/2" Thick), per P28A-00760	9954.0015	6
28D	1" Hub Spacer Washer - Plated (1-7/8" O.D. x 1-5/16" I.D. x 1/8" Thick).....	9954.0021	As Req'd.
35	1" Steel Hub Assembly (Specify Model and Riser Fitting).....	9901.1600	1
42	1" 90 Degree FxF Steel 4000 PSI Full Flow Super Swivel Joint (GLT Viton Packing) (HR42-0004)	9929.8552	1
55A	Manual Rewind Assembly for 8" Drums (w/ H-27 and 8" Shaft) (see ISO-209 for parts).....	9914.0221	1
55B	H-18 Steel Hand Crank - E-Coated (10" Length) (see ISO-214 for parts)	9914.0011	1
58	AN-227 12V DC Face Mount 1/3 HP 650 RPM Motor.....	9915.0042	1
58	AN-239 12V DC Face Mount 1/5 HP 420 RPM Motor (not shown).....	9915.0040	1
66	Motor Mounting Plate w/ Mounting Bolts (E-Coated), per P66A-00090 (includes Item 25B)	9923.0006	1
72A	112T35 x 13-3/8" Dia. Disc Sprocket (E-Coated)	9910.1321	1
72B	11T35 x 1-3/4" Motor Sprocket (Plated)	9910.1119	1
87	Anodized Aluminum Threaded Spacer Pipe.....	Specify Model	6