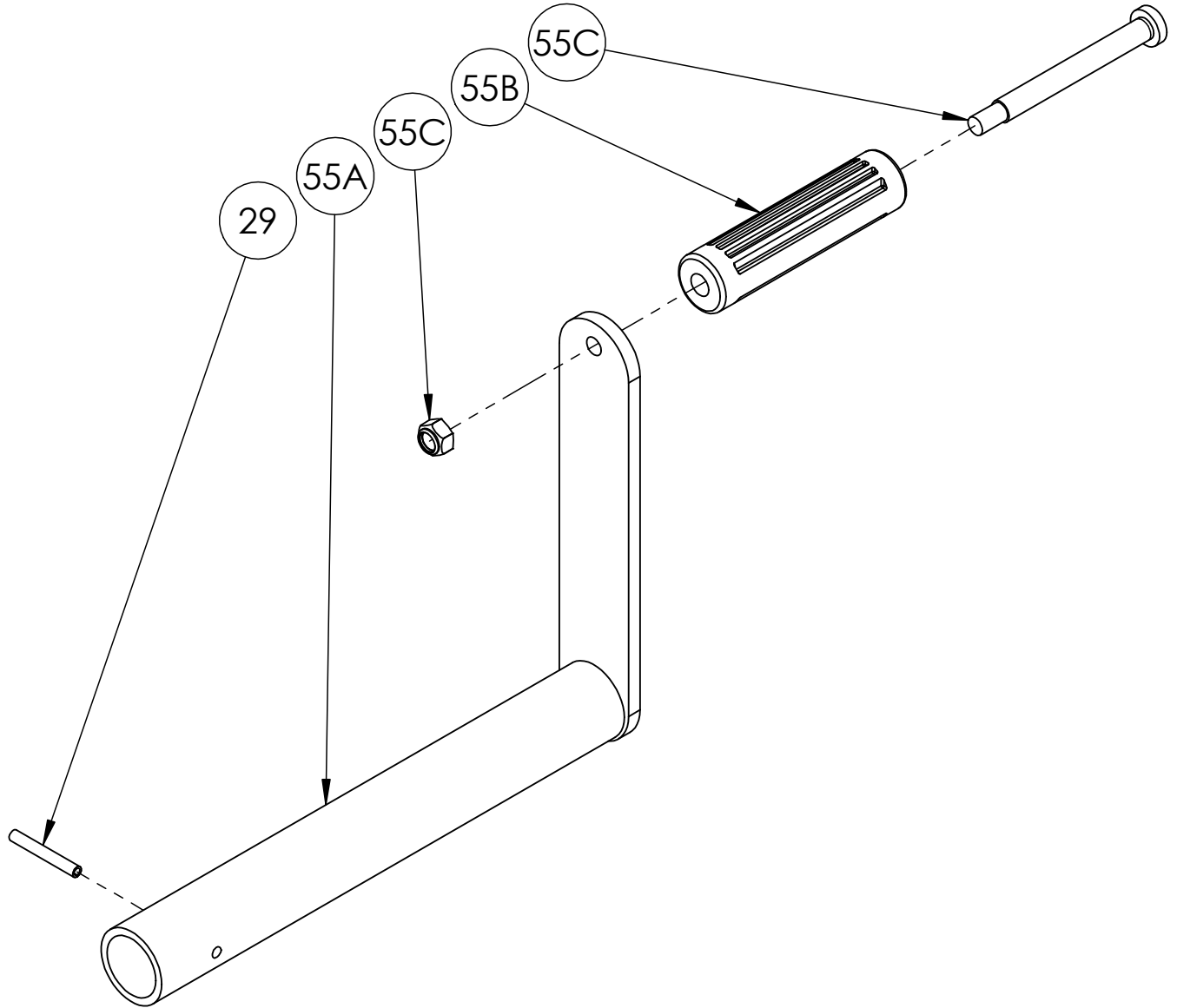


**H-18 Crank Handle**



**PARTS LIST  
ISO 214  
H-18 Crank Handle**

**When Ordering Parts  
BE SURE TO SPECIFY COMPLETE MODEL NUMBER and SERIAL NUMBER OF REEL  
USE PART NUMBER!**

<u>Item No.</u>	<u>Description</u>	<u>Part No.</u>	<u>Quantity</u>
-	H-18 Steel Hand Crank - E-Coated (Standard 10" Length).....	9914.0011	1
-	H-18 Stainless Steel Hand Crank (Standard 10" Length) .....	9914.0014	1
-	H-18 Steel Hand Crank (up to 30" Length) (Specify Length) .....	9914.0090	1
-	H-18 Stainless Steel Hand Crank (up to 30" Length) (Specify Length).....	9914.0092	1
29	3/16" x 1-3/8" Roll Pin	9914.0951	1
55A	H-18 Crank Weldment, only (Standard 10" Length)	9914.0098	1
55A	H-18 Stainless Steel Crank Weldment, only (Standard 10" Length) .....	9914.0096	1
55A	H-18 Crank Weldment, only (up to 30" Length) (Specify Length) .....	9914.0099	1
55A	H-18 Stainless Steel Crank Weldment, only (up to 30" Length) (Specify Length).....	9914.0097	1
55B	Black Plastic Handle for Crank, only .....	9914.0506	1
55C	3/8" Round Shoulder Bolt w/ Nut for Black Plastic Handle.....	9914.0511	1