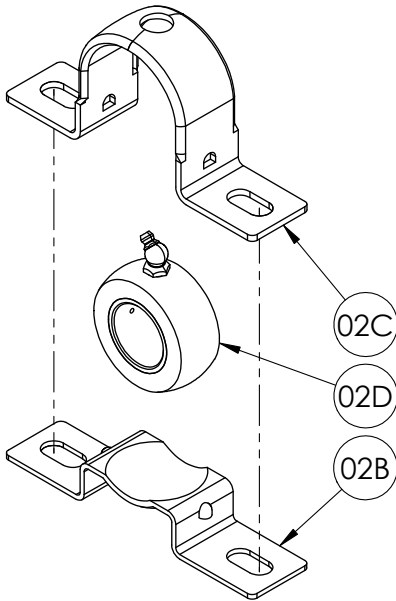
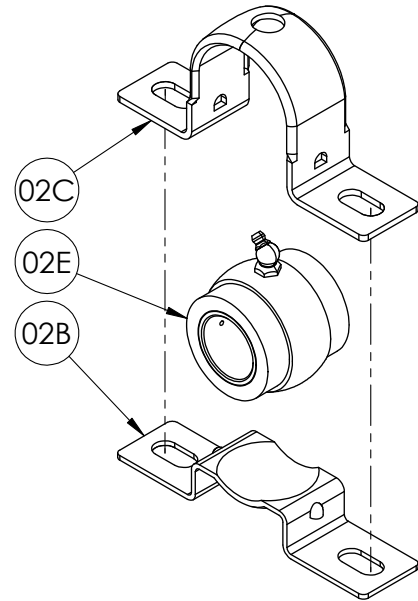


ISO 211
PARTS LIST

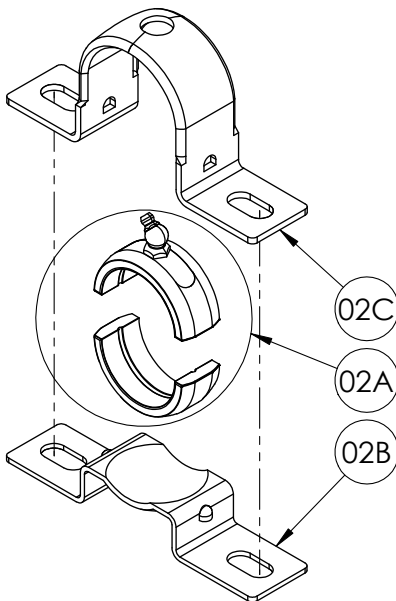
STRAP BEARING ASSEMBLY
for 1-1/2" split, 1", 2" & 1" twin bearings



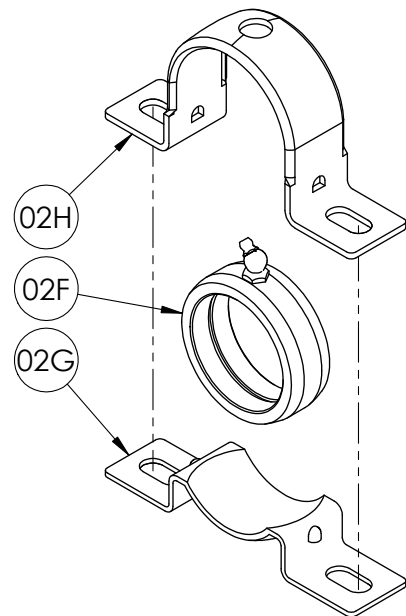
1" BRONZE/ALUMINUM BEARING



1" BRONZE/ALUMINUM TWIN BEARING



SPLIT 1-1/2" BRONZE BEARING



2" BRONZE BEARING

PARTS LIST
ISO 211
Strap Bearing Assembly for 1-1/2" split, 1", 2" & 1" twin bearings

When Ordering Parts
BE SURE TO SPECIFY COMPLETE MODEL NUMBER and SERIAL NUMBER OF REEL
USE PART NUMBER!

<u>Item No.</u>	<u>Description</u>	<u>Part No.</u>	<u>Qty</u>
1" BRONZE/ALUMINUM BEARING			
-	1" Pipe-Size (1.287" I.D.) Bronze/Aluminum Bearing Complete	9902.1630	1
-	1" Pipe-Size (1.287" I.D.) Bronze/Aluminum Bearing Complete w/ 1/8" NPT Hole (for EPIV Reels).....	9902.1631	1
-	1" Pipe-Size (1.287" I.D.) 304 Stainless Steel Bronze/Aluminum Bearing Complete.....	9902.1640	1
02B	Greasable Bearing Holder - E-Coated (Bottom Strap)	9902.2950	1
02B	Greasable Bearing Holder - 304 Stainless Steel (Bottom Strap).....	9902.2960	1
02C	Greasable Bearing Holder - E-Coated (Top Strap).....	9902.2955	1
02C	Greasable Bearing Holder - 304 Stainless Steel (Top Strap)	9902.2965	1
02D	1" Pipe-Size (1.287" I.D.) Bronze/Aluminum Bearing Insert w/ Grease Fitting.....	9902.1730	1
02D	1" Pipe-Size (1.287" I.D.) Bronze/Aluminum Bearing Insert w/ 1/8" NPT Hole (for EPIV Reels) (not shown)	9902.1731	1
1" BRONZE/ALUMINUM TWIN BEARING			
-	1" Pipe-Size (1.287" I.D.) Twin Bronze/Aluminum Bearing Complete (for EPBM Reels)	9902.3500	1
-	1" Pipe-Size (1.287" I.D.) 304 Stainless Steel Twin Bronze/Aluminum Bearing Complete (for EPBM Reels)	9902.3502	1
02B	Greasable Bearing Holder - E-Coated (Bottom Strap)	9902.2950	1
02B	Greasable Bearing Holder - 304 Stainless Steel (Bottom Strap).....	9902.2960	1
02C	Greasable Bearing Holder - E-Coated (Top Strap).....	9902.2955	1
02C	Greasable Bearing Holder - 304 Stainless Steel (Top Strap)	9902.2965	1
02E	1" Pipe-Size (1.287" I.D.) Twin Bronze/Aluminum Bearing Insert for EPBM Reels, per KDF4240	9902.1735	1
SPLIT 1-1/2" BRONZE BEARING			
-	1-1/2" Pipe-Size (1.904" I.D.) Split Bronze Bearing Complete	9902.1612	1
-	1-1/2" Pipe-Size (1.904" I.D.) Split Bronze Bearing Complete w/ 1/8" NPT Hole (for EPIV Reels).....	9902.1613	1
-	1-1/2" Pipe-Size (1.904" I.D.) 304 Stainless Steel Split Bronze Bearing Complete	9902.1622	1
-	1-1/2" Pipe-Size (1.904" I.D.) 304 Stainless Steel Split Bronze Bearing Complete w/ 1/8" NPT Hole (for EPIV Reels)	9902.1625	1
02A	1-1/2" Pipe-Size (1.904" I.D.) Split Bronze Bearing Insert w/ Grease Fitting	9902.1710	1
02A	1-1/2" Pipe-Size (1.904" I.D.) Split Bronze Bearing Insert w/ 1/8" NPT Hole (for EPIV Reels) (not shown).....	9902.1711	1
02B	Greasable Bearing Holder - E-Coated (Bottom Strap)	9902.2950	1
02B	Greasable Bearing Holder - 304 Stainless Steel (Bottom Strap).....	9902.2960	1
02C	Greasable Bearing Holder - E-Coated (Top Strap).....	9902.2955	1
02C	Greasable Bearing Holder - 304 Stainless Steel (Top Strap)	9902.2965	1
2" BRONZE BEARING			
-	2" Pipe-Size (2.37" I.D.) 304 Stainless Steel Bronze Bearing Complete.....	9902.2350	1
02F	2" Pipe-Size (2.37" I.D.) Bronze Bearing Insert w/ Grease Fitting.....	9902.2355	1
02G	2" Pipe-Size Greasable Bearing Holder - 304 Stainless Steel (Bottom Strap).....	9902.2970	1
02H	2" Pipe-Size Greasable Bearing Holder - 304 Stainless Steel (Top Strap)	9902.2975	1