



Hannay Reels®
The reel leader.

Hannay Reels, Inc.
553 State Route 143, Westerlo, NY 12193
www.hannay.com
Email: reels@hannay.com

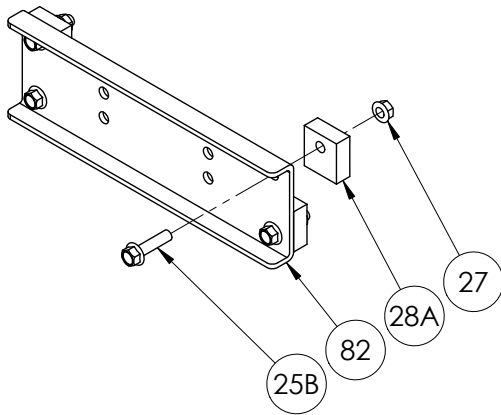
Phone 1-518-797-3791
Toll Free 1-877-GO-REELS (467-3357)
Fax 1-800-REELING (733-5464)
Int'l Fax 1-518-797-3259

ISO 200

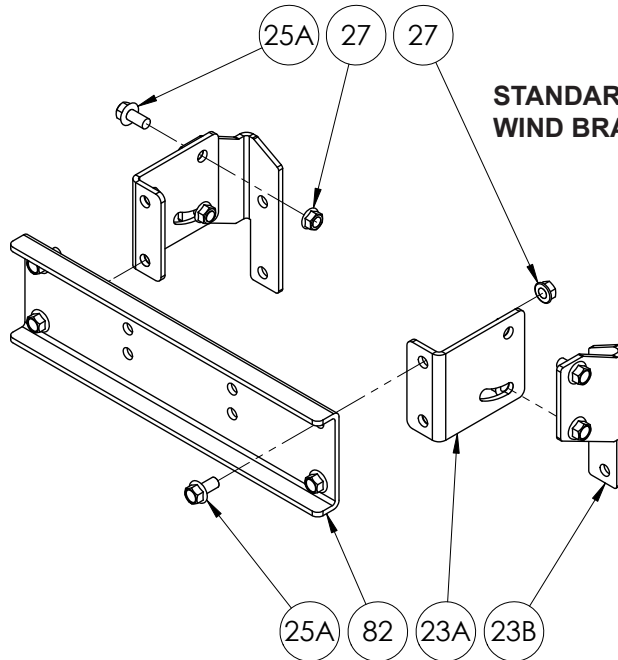
PARTS LIST

**GUIDEMASTER®
BRACKETS**

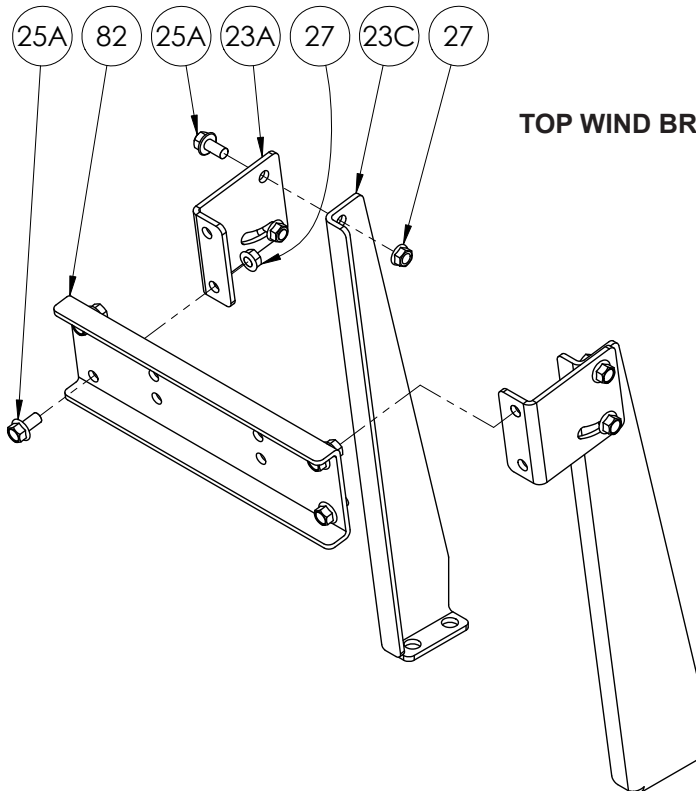
**BOTTOM WIND
25-26 BRACKETS**



**STANDARD BOTTOM
WIND BRACKETS**



TOP WIND BRACKETS



PARTS LIST
ISO 200
Guidemaster® Brackets

When Ordering Parts
BE SURE TO SPECIFY COMPLETE MODEL NUMBER and SERIAL NUMBER OF REEL
USE PART NUMBER!

<u>Item No.</u>	<u>Description</u>	<u>Part No.</u>	<u>Qty</u>
BOTTOM-WIND 25-26 BRACKETS			
25B	3/8"-16 x 1-1/2" Spinlock Bolt.....	9904.2204	4
25B	3/8"-16 x 1-1/2" Stainless Steel Hex Head Bolt.....	9960.0015	4
27	3/8"-16 Spinlock Nut.....	9904.6200	4
27	3/8"-16 Stainless Steel Spinlock Nut.....	9960.0091	4
28A	Spacer Block (1.5" x 1.62"), per P28A-00650.....	9940.0025	4
28B	3/8" Stainless Steel Flat Washer (for use w/ SST bolts) (not shown).....	9960.0010	4
82	GM Cross Member Bracket (Powder Coat), per P82A-00040 (Specify Model).....	9945.0048	1
82	GM Cross Member Bracket (304 SST), per P82A-00040 (Specify Model).....	9945.0047	1
STANDARD BOTTOM-WIND BRACKETS			
23A	GM Angle Adjustment Bracket Pair (Powder Coat), per P23A-00070.....	9945.0060	1
23A	GM Angle Adjustment Bracket Pair (304 SST), per P23A-00070.....	9945.0062	1
23B	GM Bottom Wind Wing Bracket Pair (Powder Coat), per P23A-00010.....	9945.0036	1
23B	GM Bottom Wind Wing Bracket Pair (304 SST), per P23A-00010.....	9945.0033	1
25A	3/8"-16 x 3/4" Spinlock Bolt.....	9904.2201	8
25A	3/8"-16 x 3/4" Stainless Steel Spinlock Bolt.....	9960.0009	8
27	3/8"-16 Spinlock Nut.....	9904.6200	8
27	3/8"-16 Stainless Steel Spinlock Nut.....	9960.0091	8
82	GM Cross Member Bracket (Powder Coat), per P82A-00040 (Specify Model).....	9945.0048	1
82	GM Cross Member Bracket (304 SST), per P82A-00040 (Specify Model).....	9945.0047	1
TOP-WIND BRACKETS			
23A	GM Angle Adjustment Bracket Pair (Powder Coat), per P23A-00070.....	9945.0060	1
23A	GM Angle Adjustment Bracket Pair (304 SST), per P23A-00070.....	9945.0062	1
23C	GM Top Wind Vertical Bracket Pair (Powder Coat) (Specify Model).....	9945.0037	1
23C	GM Top Wind Vertical Bracket Pair (304 SST) (Specify Model).....	9945.0034	1
25A	3/8"-16 x 3/4" Spinlock Bolt.....	9904.2201	8
25A	3/8"-16 x 3/4" Stainless Steel Spinlock Bolt.....	9960.0009	8
27	3/8"-16 Spinlock Nut.....	9904.6200	8
27	3/8"-16 Stainless Steel Spinlock Nut.....	9960.0091	8
82	GM Cross Member Bracket (Powder Coat), per P82A-00040 (Specify Model).....	9945.0048	1
82	GM Cross Member Bracket (304 SST), per P82A-00040 (Specify Model).....	9945.0047	1