

WHJ Series Ball-Bearing Swivel Joints for 1-1/2" & 2" Reels

APPROPRIATE APPLICATIONS: Liquid Fuels, Water

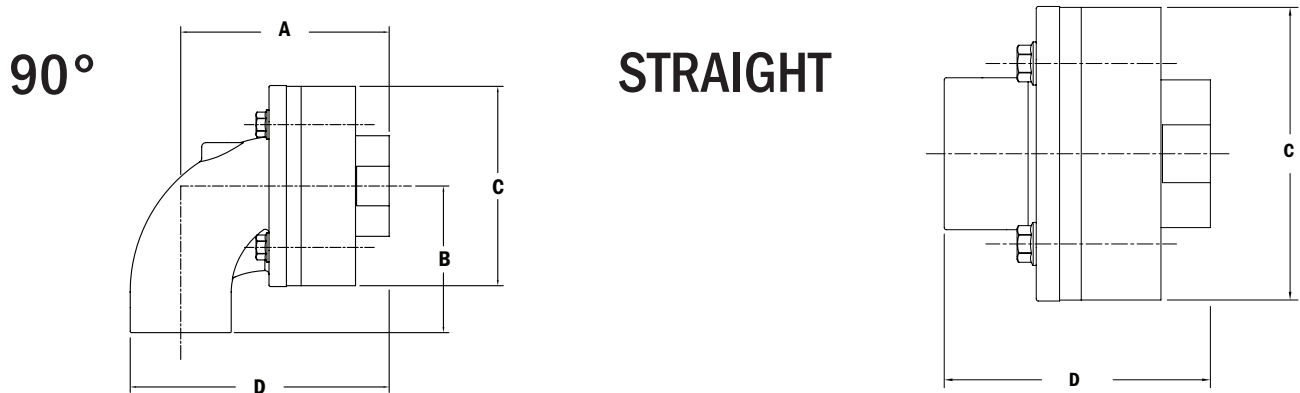
MATERIAL: Ductile Iron or Alum

RATING: 1000 psi (Ductile Iron), 600 PSI (Alum)

PACKING: Buna-N (standard for air, water, aviation fuel); Viton (standard for petroleum, diesel, gasoline)

Changing the Packing: (Refer to Diagram on Back): Remove any three of the four 5/16" x 1-1/4" cap screws (item 12). Loosen the remaining screw and pivot the packing ring (item 2) so that the packing (item 5) is exposed. Remove old packing and replace with new packing. Rotate packing ring back into place and reinstall three cap screws (item 12) and torque all cap screws to 20 ft-lbs. **Caution:** Before pivoting packing ring, be sure to clean joint of all dirt and debris which may fall into the joint and damage the seal.

Greasing the Joint: The frequency of greasing will, of course, vary according to usage of the reel, but generally speaking one pump with a manual grease gun every 2 to 3 months is sufficient. If the swivel joint is over greased, the excess amount will flow out of the swivel through the relief valve. This swivel has been packed with a water-resistant food grade grease (Tom-Pac TP-2598 Bearing Gel).



90 Degree "WHJ" Swivel Joint Information

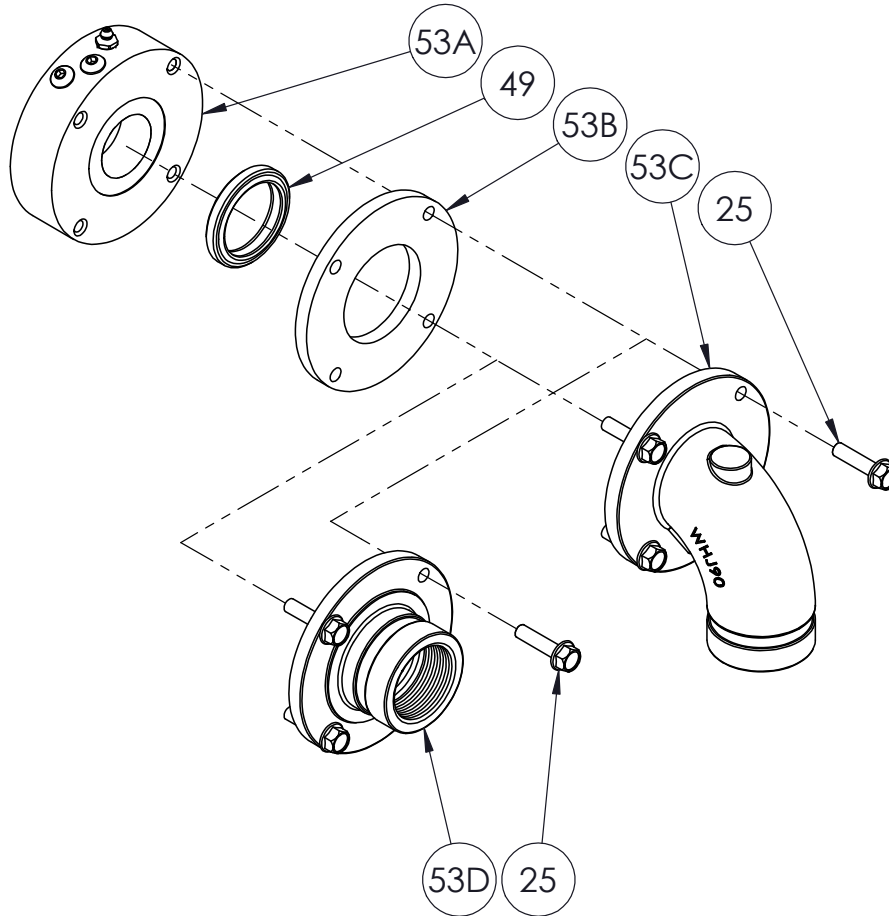
Model No.	Hannay P/N	Thread at Reel End	Inlet Style	Dimensions			
				A	B	C	D
WHJ-1590 (Buna)	9930.4210	1-1/2" FNPT	1-1/2" FNPT & 2" Groove	4.81	3.38	4.63	6.00
WHJ-1590V (Viton)	9930.4220	1-1/2" FNPT	1-1/2" FNPT & 2" Groove	4.81	3.38	4.63	6.00
WHJ-1590-AL (Buna)	9930.4312	1-1/2" FNPT	1-1/2" FNPT & 2" Groove	4.81	3.38	4.63	6.00
WHJ-290V (Viton)	9931.4210	2" FNPT	1-1/2" FNPT & 2" Groove	5.25	3.38	4.63	6.44
WHJ-2290 (Buna)	9931.4521	2" FNPT	2" FNPT Only	5.25	3.25	4.63	6.69

STRAIGHT "WHJ" Swivel Joint Information

Model No.	Hannay P/N	Thread at Reel End	Inlet Style	Dimensions			
				A	B	C	D
WHJ-15180 (Buna)	9930.4610	1-1/2" FNPT	1-1/2" FNPT & 2" Groove	--	--	4.63	4.19
WHJ-15180V (Viton)	9930.4611	1-1/2" FNPT	1-1/2" FNPT & 2" Groove	--	--	4.63	4.19
WHJ-15180-AL (Buna)	9930.4612	1-1/2" FNPT	1-1/2" FNPT & 2" Groove	--	--	4.63	4.19
WHJ-2180 (Buna)	9931.4721	2" FNPT	1-1/2" FNPT & 2" Groove	--	--	4.63	4.19
WHJ-22180 (Buna)	9931.4021	2" FNPT	2" FNPT Only	--	--	4.63	4.19

PARTS LIST
ISO 194
WHJ Ball Bearing Swivel Joints for 1-1/2" & 2" ID Reels

When Ordering Parts
BE SURE TO SPECIFY COMPLETE MODEL NUMBER and SERIAL NUMBER OF REEL
USE PART NUMBER!



<u>Item No.</u>	<u>Description</u>	<u>Part No.</u>	<u>Quantity</u>
25	5/16"-18 x 1-1/4" Hex Head Spinlock Bolt (Grade 5).....	9904.1103	4
49	1-1/2" PK-1 Buna-N Packing w/ Solid Retention Ring.....	9936.0642	1
49	1-1/2" PK-1V Low-Temp Viton Packing (CDI) w/ Serrated Retention Ring	9936.0645	1
50	2" PK-1 Buna-N Packing w/ Solid Retention Ring (not shown).....	9936.0740	1
50	2" PK-1V Low-Temp Viton Packing (CDI) w/ Serrated Retention Ring (not shown).....	9936.0741	1
53A	WHJ Bearing Assembly (1-1/2").....	9938.0030	1
53A	WHJ Bearing Assembly (1-1/2") Aluminum (not shown)	9938.0031	1
53A	WHJ Bearing Assembly (2") (not shown)	9938.0032	1
53B	Packing Ring, per P53A-00010	9938.0011	1
53C	Malleable Inlet Fitting - 90 Degree 1-1/2" FNPT x 2" VIC.....	9938.0001	1
53C	Malleable Inlet Fitting - 90 Degree 2" FNPT (not shown).....	9938.0005	1
53D	Steel Inlet Fitting - 180 Degree 1-1/2" FNPT x 2" VIC.....	9938.0004	1
53D	Aluminum Inlet Fitting - 180 Degree 1-1/2" FNPT x 2" VIC (not shown)	9938.0002	1
53D	Steel Inlet Fitting - 180 Degree 2" FNPT (not shown)	9938.0006	1