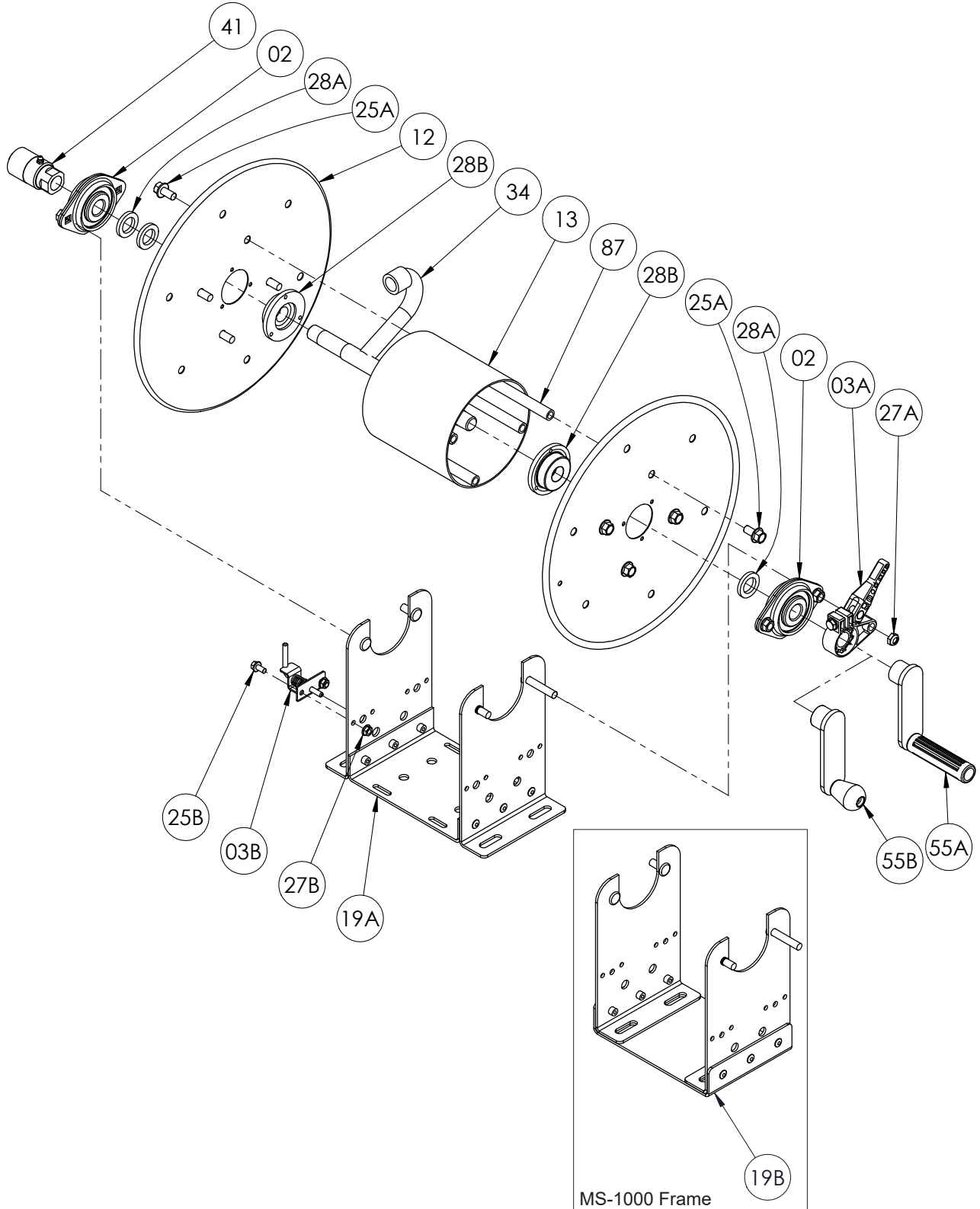


ISO 165
PARTS LIST
1000 SERIES &
MS-1000 SERIES



**PARTS LIST
ISO 165
1000 Series & MS-1000 Series**

**When Ordering Parts
BE SURE TO SPECIFY COMPLETE MODEL NUMBER and SERIAL NUMBER OF REEL
USE PART NUMBER!**

<u>Item #</u>	<u>Description</u>	<u>Part No.</u>	<u>Qty</u>
02	1/2" Pipe-Size (0.826" I.D.) Bearing Complete - for 1000 Series reels (see ISO-210 for parts).....	9902.2610	2
03A	Cam Lock Drag Brake Complete (see ISO-254 for parts).....	9947.0130	1
03B	1000 Series Pinlock Assembly Complete (includes Items 25B & 27B)	9965.0230	1
12	(14-16) 14" Dia. Disc, 18 GA Steel.....	9903.0311	2
13	Drum, 6" Dia. Aluminum Pipe (Specify Model).....	9905.7112	1
19A	E-Coated Frame Assembly for 1000 Series (Rivet Style) (Specify Model).....	9908.5005	1
19B	E-Coated Frame Assembly for MS-1000 Series (Specify Model).....	9908.5007	1
25A	3/8"-16 x 3/4" Spinlock Bolt.....	9904.2201	8
25B	1/4"-20 x 1/2" Hex Head Spinlock Cap Screw.....	9904.1058	2
27A	3/8"-16 Stainless Steel Thin Nylon Lock Nut.....	9960.0099	1
27B	1/4"-20 Small Flange Spinlock Nut (Armor Coat).....	9904.6000	2
28A	1/2" Hub Spacer Washer - Plated Steel (1-3/8" O.D. x 7/8" I.D. x 3/16" Thick).....	9954.0020	As Req'd.
28B	Disc Washer, per P28A-01160.....	9965.0040	2
34	1/2" Welded Iron Pipe Hub (Specify Model & Riser Fitting).....	9901.0610	1
41	1/2" 90 Degree FxF Steel 5000 PSI Super Swivel Joint (Aflas) Zerk Fitting (HR41-0001)	9927.8551	1
55A	Hand Crank for 1000 Series - 5" Length (E-Coated) (see ISO-255 for parts).....	9914.0020	1
55B	Hand Crank for MS-1000 Series - 5" Length (E-Coated)	9914.0019	1
87	Anodized Aluminum Threaded Spacer Pipe.....	Specify Model	4