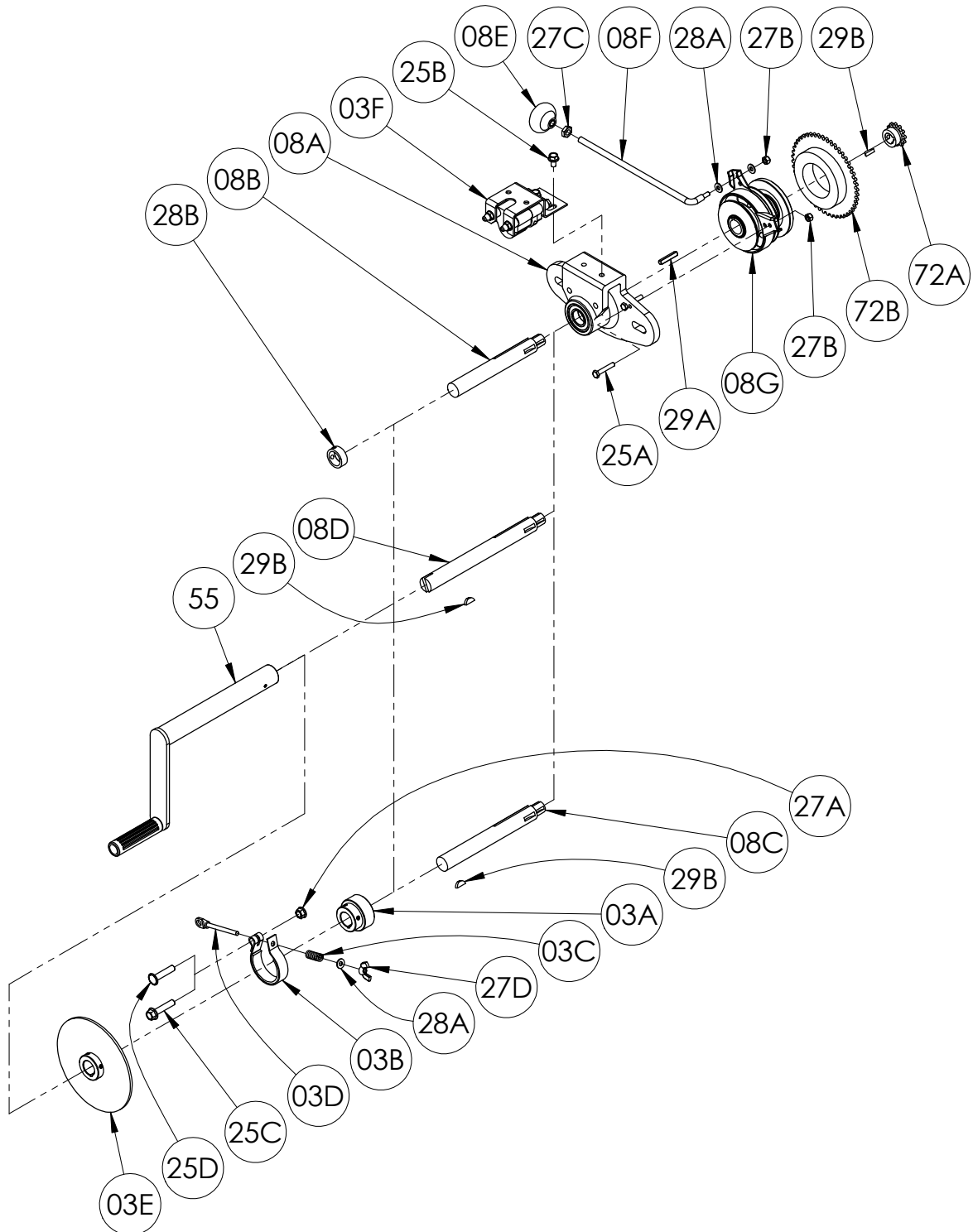


**Clutch/Reduction Unit
Assembly**



PARTS LIST
ISO 160
Clutch/Reduction Unit Assembly

When Ordering Parts
BE SURE TO SPECIFY COMPLETE MODEL NUMBER and SERIAL NUMBER OF REEL
USE PART NUMBER!

<u>Item #.</u>	<u>Description</u>	<u>Part No.</u>	<u>Qty</u>
03A	Bank (Comet) Brake Iron Hub (1" Bore).....	9947.0042	1
03B	Band (Comet) Brake Strap	9947.0091	1
03C	SST Band (Comet) Brake Spring (1-5/16" Length).....	9947.0096	1
03D	1/4"-20 Band Brake Tension Adjustment Rod (3-1/2" Long).....	9947.0094	1
03D	1/4"-20 Band Brake Tension Adjustment Rod (4-3/4" Long) for Air Brake (not shown)	9947.0104	1
03E	Brake Disc Assembly w/ Keyed Arbor (6-5/8" O.D. x 1" I.D.) for Air Brake.....	9947.0150	1
03F	Standard Air Caliper Brake (P-38).....	9947.0020	1
08A	Clutch/Reduction Unit Housing w/ Two Bearings (Specify Configuration).....	9948.0015	1
08B	Clutch/Reduction Shaft (1" Dia., 3/4" Step x 8" Long), per P08A-00410 (for Standard Units)	9948.0023	1
08C	Clutch/Reduction Shaft (1" Dia., 3/4" Step x 9" Long), per P08A-00420 (for Air and/or Comet Brake)	9948.0022	1
08D	Clutch/Reduction Shaft (1" x 3/4" Dia. x 10.5" Long), per P08A-00430 (for Auxillary Rewind)	9948.0019	1
08E	Black Knob for Clutch Rod	9948.0060	1
08F	Clutch Activating Rod (Specify Length or Model)	9948.0061	1
08G	4" Form Sprag Clutch	9948.0024	1
25A	1/4"-20 x 1-1/2" Hex Head Bolt.....	9904.1004	2
25B	5/16"-18 x 1/2" Spinlock Bolt (for Air Brake)	9904.2158	2
25C	3/8"-16 x 1-3/4" Spinlock Bolt	9904.2205	1
25D	3/8"-16 x 1-3/4" Spinlock Bolt (Head ground down to clear Disc Brake for Air Brake)	9947.0151	1
27A	3/8"-16 Spinlock Nut.....	9904.6200	1
27B	1/4"-20 ESNA Lock Nut	9958.0015	3
27C	3/8"-16 Hex Jam Nut	9965.0012	1
27D	1/4"-20 Band (Comet) Brake Wing Nut	9947.0095	1
28A	1/4" Flat Washer	9954.0005	2 or 3
28B	PSC-1 Pinion Shaft Collar w/ Set Screw	9914.0351	1
29A	1/4" x 1-1/2" Long Square Key	9948.0301	1
29B	Woodruff Key #9 (3/16" x 3/4")	9916.0080	1 or 2
55	H-18 Steel Hand Crank - E-Coated (10" Length) (see ISO-214 for parts)	9914.0011	1
72A	Reduction Unit Sprocket - 12T35 w/ 3/4" Bore (3/4" Long)	9948.0026	1
72A	Reduction Unit Sprocket - 12T35 w/ 3/4" Bore (1" Long) (not shown)	9948.0029	1
72A	Reduction Unit Sprocket - 12T40 w/ 3/4" Bore (not shown)	9948.0027	1
72B	Reduction Unit Sprocket - 48T35	9948.0043	1
72B	Reduction Unit Sprocket - 40T35 (not shown).....	9948.0048	1
72B	Reduction Unit Sprocket - 60T35 (not shown).....	9948.0045	1