



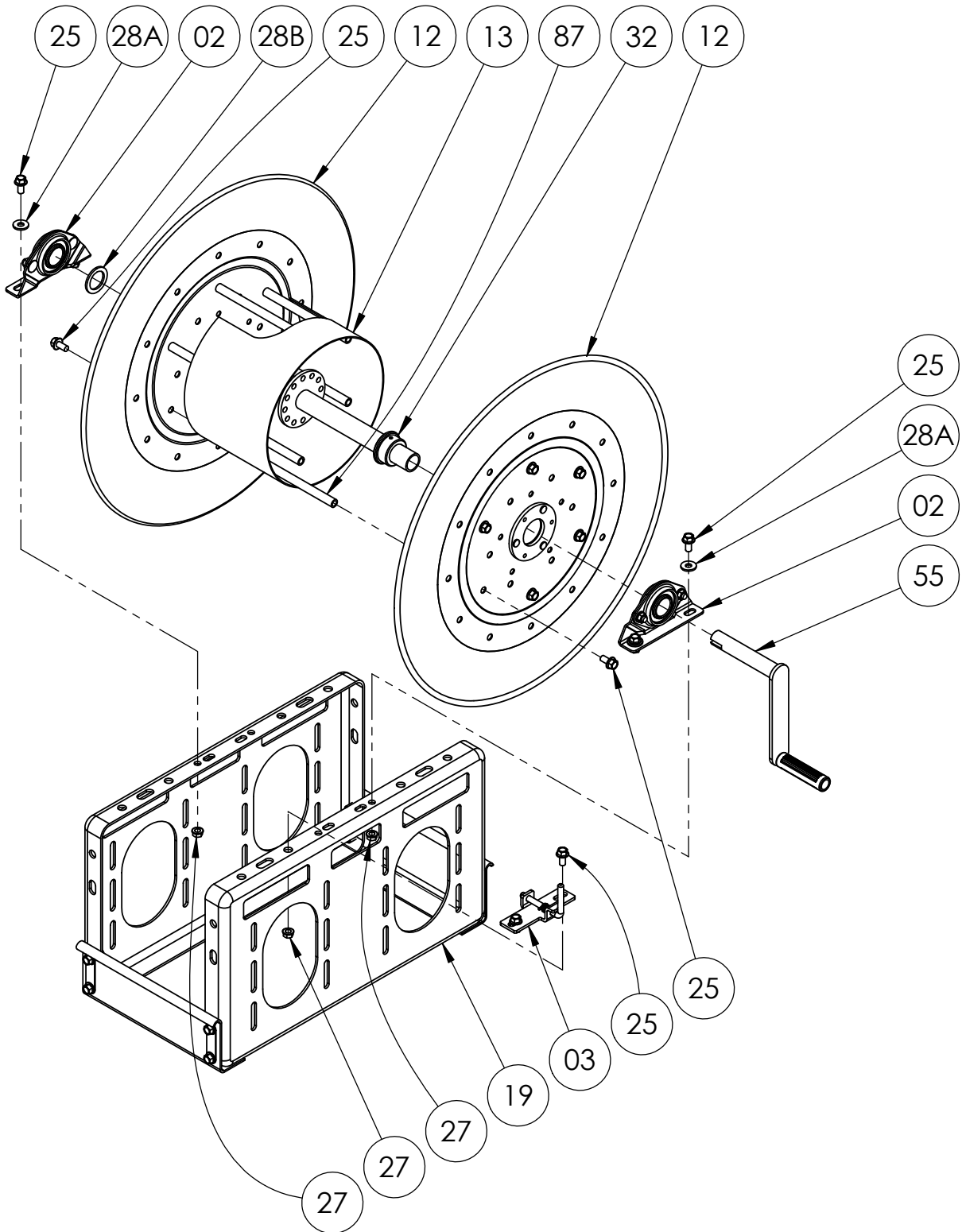
**Hannay Reels®**  
*The reel leader.*

Hannay Reels, Inc.  
 553 State Route 143, Westerlo, NY 12193  
 www.hannay.com  
 Email: reels@hannay.com

Phone 1-518-797-3791  
 Toll Free 1-877-GO-REELS (467-3357)  
 Fax 1-800-REELING (733-5464)  
 Int'l Fax 1-518-797-3259

**ISO 117**  
 PARTS LIST

**SERIES C3200**  
**Storage Reel**



**PARTS LIST  
ISO 117  
Series C3200 Storage Reel**

**When Ordering Parts  
BE SURE TO SPECIFY COMPLETE MODEL NUMBER and SERIAL NUMBER OF REEL  
USE PART NUMBER!**

<u>Item No.</u>	<u>Description</u>	<u>Part No.</u>	<u>Quantity</u>
02	1" Pipe-Size (1.287" I.D.) Self Aligning Bearing Complete (see ISO-210 for parts) ....	9902.1400	2
03	PL-4 Pinlock Assembly Complete (see ISO-152 for parts).....	9965.0036	1
12	Disc Assembly .....	Specify Model/Serial #	2
13	Drum, 10-1/2" Dia. 14 GA Steel (Specify Model).....	9905.3131	1
19	Pressed Frame Assembly.....	Specify Model	2
25	3/8"-16 x 3/4" Spinlock Bolt .....	9904.2201	18
27	3/8"-16 Spinlock Nut.....	9904.6200	6
28A	3/8" Flat Washer .....	9954.0007	4
28B	1" Hub Spacer Washer - Plated (1-7/8" O.D. x 1-5/16" I.D. x 1/8" Thick).....	9954.0021	As Req'd.
32	1" Straight Iron Pipe Hub Assembly (Specify Model/Serial #) .....	9901.2150	1
55	Removable Hand Crank Complete - E-Coated (see ISO-256 for parts).....	9914.0031	1
87	Anodized Aluminum Threaded Spacer Pipe.....	Specify Model	6