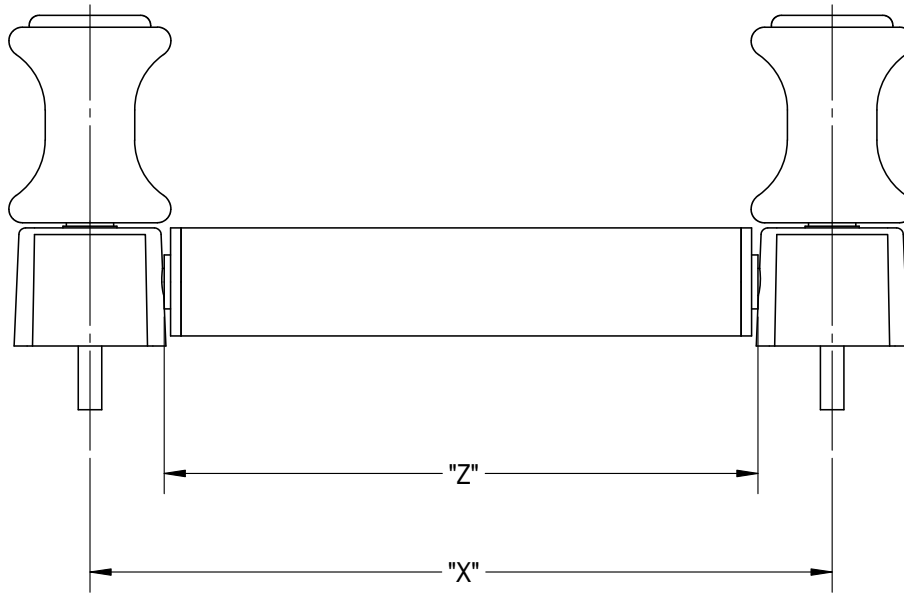


**When Ordering Parts**  
**BE SURE TO SPECIFY COMPLETE MODEL NUMBER and SERIAL NUMBER OF REEL**  
**USE PART NUMBER!**

<u>Item No.</u>	<u>Description</u>	<u>Part No.</u>	<u>Quantity</u>
<b>Complete Assemblies</b> (Mounting Brackets (Items 70D and 70E) must be ordered separately)			
-	FH Complete Spool Assembly - Pair (Less SST Roller, Rod, & Trunnion Bearings).....	9940.0013	1
-	FH-3 Roller & Spool Assembly (Specify Length, up to 30" Drum).....	9939.0042	1
-	FH-3 Roller & Spool Assembly (Specify Length, 31" to 50" Drums).....	9939.0043	1
04	FH-302-2, 2" Black Trunnion Bearing (Thru Hole Style).....	9940.0008	2
25	3/8"-16 x 6-1/2" Hex Head Cap Screw .....	9940.0017	2
27	3/8"-16 Spinlock Nut.....	9904.6200	2
28A	FH-3 Aluminum Roller Spacer Sleeve for Roller Bolt (1/2" O.D. x 3/8" I.D. x 3.13") .....	9940.0019	2
28B	3/8" Flat Washer .....	9954.0007	4
70A	FH-301 Spool .....	9940.0005	2
70B	FH-302 Block.....	9940.0006	2
70C	FH-309-P Black Plastic Cap .....	9940.0002	2
70D	Flanged Sleeve Bearing (5/8" O.D. x 1/2" I.D. x 5/8") .....	9940.0011	4
70E	FH-3 Top-Wind Mounting Bracket Pair - Steel, per P70A-01150.....	9940.0060	1
70E	FH-3 Top-Wind Mounting Bracket Pair - Aluminum, per P70A-01150 .....	9940.0061	1
70F	FH-3 Cross Member Brace - Steel (Specify Model) .....	9940.0062	1
70F	FH-3 Cross Member Brace - Aluminum (Specify Model).....	9940.0066	1
81	FH-304, 1/2" Dia. 303 Stainless Steel Roller Rod (Specify Length).....	9940.0009	1
91	FH-305, 2" Stainless Steel Roller Tubing (Specify Length).....	9940.0010	1

## FH-3 ROLLER MODELS



FH Roller Model	Hannay Part Number	Drum Length (in)	Roller Length "Z" w/bushings (in)	Mtg. Hole "X" Dimension (in)
FH-306	9939.0027	6.0	6.5	9.25
FH-307.5	9939.0029	7.5	8.0	10.75
FH-308	9939.0021	8.0	8.5	11.25
FH-309.5	9939.0030	9.5	10.0	12.75
FH-310	9939.0022	10.0	10.5	13.25
FH-311.5	9939.0031	11.5	12.0	14.75
FH-312	9939.0028	12.0	12.5	15.25
FH-313.5	9939.0032	13.5	14.0	16.75
FH-314	9939.0024	14.0	14.5	17.25
FH-315.5	9939.0033	15.5	16.0	18.75
FH-316	9939.0025	16.0	16.5	19.25
FH-317.5	9939.0034	17.5	18.0	20.75
FH-318	9939.0026	18.0	18.5	21.25
FH-320	9939.0035	20.0	20.5	23.25
FH-322	9939.0036	22.0	22.5	25.25
FH-324	9939.0037	24.0	24.5	27.25
FH-326	9939.0038	26.0	26.5	29.25
FH-328	9939.0039	28.0	28.5	31.25
FH-329.5	9939.0040	29.5	30.0	32.75
FH-330	9939.0020	30.0	30.5	33.25
FH-338	9939.0041	38.0	38.5	41.25
All other lengths	9939.0042	---	---	---

**NOTES:** 1) Actual roller tubing cut length is 5/8" less than "Z" dimension.  
 2) FH cross-bracket piece is always 6" longer than drum length of reel.