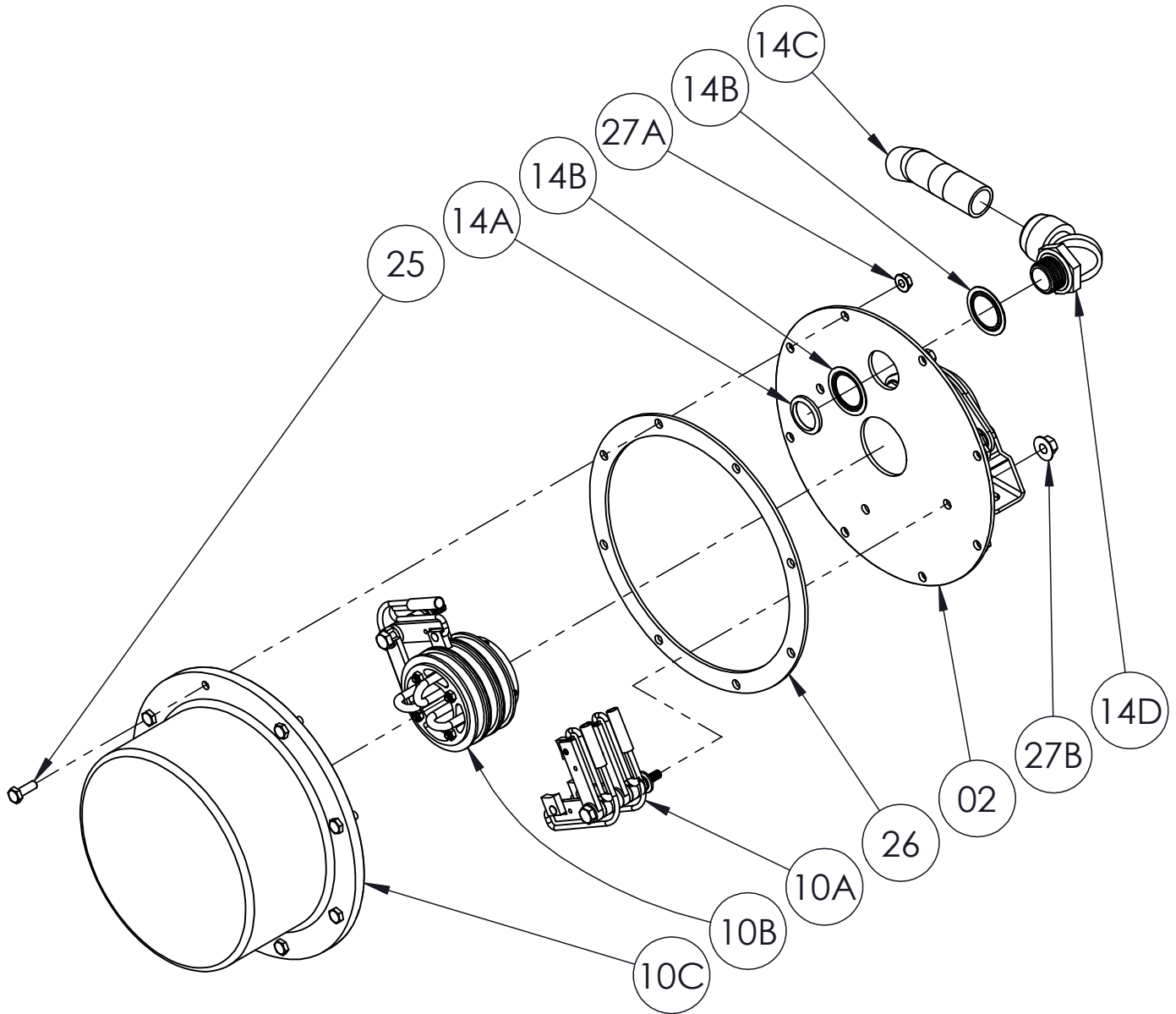


ISO 109
PARTS LIST
3-Conductor
Collector Assembly



**PARTS LIST
ISO 109
3-Conductor Collector Assembly**

**When Ordering Parts
BE SURE TO SPECIFY COMPLETE MODEL NUMBER and SERIAL NUMBER OF REEL
USE PART NUMBER!**

<u>Item #</u>	<u>Description</u>	<u>Part #</u>	<u>Qty</u>
02	Collector Backing Plate Assembly (Pillow Block Holder) - E-Coated (see ISO-259 for parts).....	9943.0031	1
02	Collector Backing Plate Assembly (N-Series Holder) - E-Coated (see ISO-259 for parts) (not shown)	9943.0032	1
10A	45 Amp Brush Harness Assembly - 1-1/2" Bore (3-Brush Configuration)	9943.0019	1
10B	3-Conductor 45 Amp 600V Assembly - 1-1/2" Bore	9942.0314	1
10C	Collector Cover for 3-Conductor 45 Amp Assembly w/ Gasket - 3.5" Long (includes Item 26)	9943.0001	1
14A	3/4" Locking Nut for Liquidtight Connector	9955.0014	1
14B	Reducing Washer (1-5/8" O.D. x 1-3/32" I.D.) for 3/4" Liquidtight Connector	9955.0013	2
14C	3/4" Liquidtight Flex Conduit (Specify Model).....	9955.0114	1
14D	3/4" Hubbell Swivel-Loc Liquidtight Connector (RACO 4753).....	9955.0009	1
25	1/4"-20 x 3/4" Hex Head Cap Screw	9904.1001	8
26	Collector Cover Gasket	9943.0004	1
27A	1/4"-20 Small Flange Spinlock Nut (Armor Coat).....	9904.6000	8
27B	5/16"-18 Large Flange Spinlock Nut.....	9904.6100	2