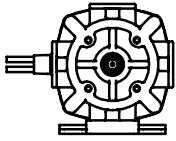


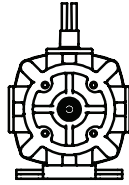
Hannay Reels, Inc.
553 State Route 143, Westerlo, NY 12193
www.hannay.com
Email: reels@hannay.com

Phone 1-518-797-3791
Toll Free 1-877-GO-REELS (467-3357)
Fax 1-800-REELING (733-5464)
Int'l Fax 1-518-797-3259

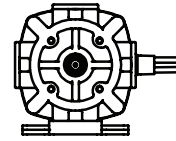
Explosion Proof Motor Identification - (Viewed from Motor Shaft End - Mounting Plate at 6 o'clock)



SX-800 Motor with
motor nipple at 9 o'clock
replaces SX-139 Motor

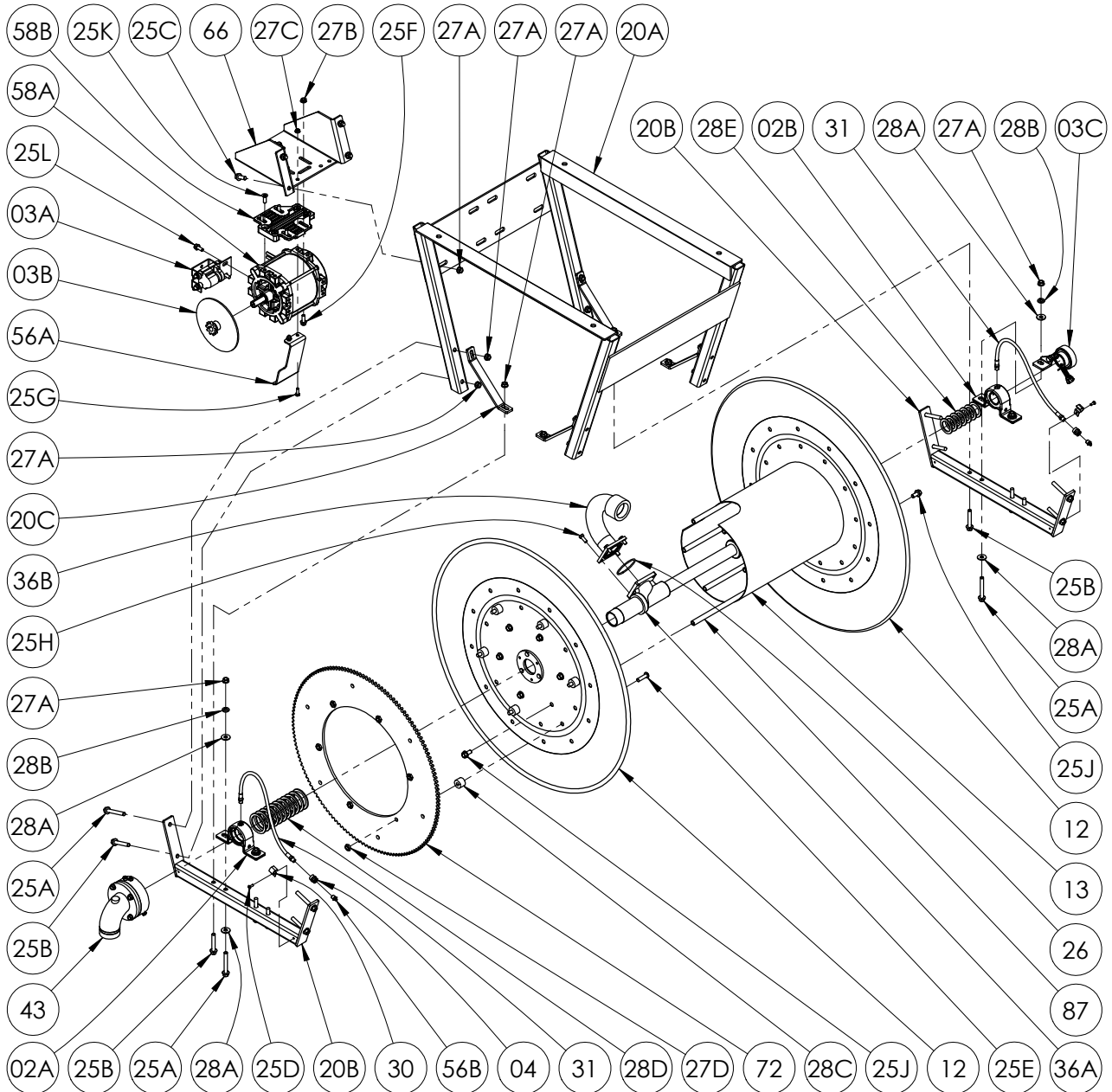


SX-800 Motor with
motor nipple at 12 o'clock
replaces SX-153 Motor



SX-800 Motor with
motor nipple at 3 o'clock
replaces SX-103 Motor

NOTE: The SX-800 is a universal-mount motor (Item 58A). Nipple location can be field modified via the bolt-on mounting plate (Items 25L & 58B). The air caliper brake (Item 03A) can be mounted at 3, 9, or 12 o'clock.



**PARTS LIST
ISO 103
EPIV Series**

**When Ordering Parts
BE SURE TO SPECIFY COMPLETE MODEL NUMBER and SERIAL NUMBER OF REEL
USE PART NUMBER!**

<u>Item #</u>	<u>Description</u>	<u>Part #</u>	<u>Qty</u>
02A	1-1/2" Pipe (1.904" I.D.) Split Bronze Bearing (for Swivel Joint Side, only) (see ISO-211 for parts)....	9902.1613	1
02A	2" Pipe (2.37" I.D.) 304 SST Bronze Bearing (for Swivel Joint Side, only) (see ISO-211 for parts) (not shown)	9902.2350	1
02B	1" Pipe (1.287" I.D.) Bronze/Alum Strap Bearing (for Strap Brake Side, only) (see ISO-211 for parts).....	9902.1631	1
03A	P-38 Air Caliper Brake	9947.0020	1
03B	9T40 Brake Disc & Sprocket - 1-3/4" Long.....	9910.2100	1
03C	Band Brake Assembly (Strap Bearing Style w/ Flipped Arbor) w/ L-Bracket (see ISO-212 for parts).....	9947.0099	1
04	1/8" Female Coupling for Whip Hose	9955.0302	2
06	#40 Chain (not shown)	Specify Model	1
12	Disc Assembly (includes Disc Washer)	Specify Model	2
13	Drum, 10-1/2" or 15-1/2" Diameter	Specify Model	1
20A	EPIV Welded Frame Base (less Top Rail).....	Specify Model	1
20B	EPIV Frame Rail (Bearing Mounting Piece, only).....	Specify Model	2
20C	EPIV Frame Brace.....	Specify Model	4
25A	3/8"-16 x 2-3/4" Spinlock Bolt.....	9904.2262	8
25B	3/8"-16 x 2-1/4" Spinlock Bolt.....	9904.2260	8
25C	3/8"-16 x 1" Spinlock Bolt (for Motorplate).....	9904.2202	4
25D	#10 x 1/2" Self Tap Type AB Pan Head Screw (for Cable Clamp).....	9958.0003	2
25E	3/8"-16 x 1-1/2" Button Socket Head Cap Screw (for Sprocket Mounting).....	9904.9203	6
25F	5/16"-18 x 7/8" SST Spinlock Bolt	9960.0001	4
25G	1/4"-20 x 3/4" Hex Head Cap Screw (for Hose Guard)	9904.1001	2
25H	5/16"-18 x 3/4" Hex Head Cap Screw - Grade 8 (for Riser Flange)	9904.1101	4
25J	3/8"-16 x 3/4" Spinlock Bolt	9904.2201	12
25K	5/16"-18 x 1" (6-Lobe Torx) Flat Head Screw (for Motor Mounting Plate).....	9904.8220	4
25L	5/16"-18 x 3/4" Spinlock Bolt (for Air Caliper Mounting)	9904.2101	2
26	2-5/8" (BUNA) O-Ring for 1-1/2" Riser	9965.0028	1
26	3-1/8" (BUNA) O-Ring for 2" Riser (not shown).....	9965.0027	1
27A	3/8"-16 Spinlock Nut.....	9904.6200	20
27B	5/16"-18 SST Spinlock Nut (for Motor Mounting)	9960.0005	4
27C	1/4"-20 Small Flange Spinlock Nut - Armor Coat (for Hose Guard)	9904.6000	2
27D	3/8"-16 Hex Jam Nut (for Sprocket Mounting).....	9965.0012	6
28A	3/8" Flat Washer	9954.0007	8
28B	7/16" Lock Washer	9954.0029	4
28C	Sprocket Spacer Washer (1" O.D. x 0.381" I.D. x 3/4" Thick), per P28A-00070	9922.0033	6
28D	1-1/2" Hub Spacer Washer - Plated (2.5" O.D. x 1.920" I.D. x 0.125" Thick) (for Swivel Joint Side, only).....	9954.0022	As Req'd.
28D	2" Hub Spacer Washer (for Swivel Joint Side, only) (not shown).....	9954.0023	As Req'd.
28E	1" Hub Spacer Washer - Plated (1-7/8" O.D. x 1-5/16" I.D. x 1/8" Thick) (for Strap Brake Side, only).....	9954.0021	As Req'd.
29	Woodruff Key #9 (3/16" x 3/4") (not shown)	9916.0080	1
30	1/2" Cable Clamp (Vinyl-Coated).....	9955.0015	2
31	18" Braided Whip Hose	9965.0100	2
36A	1-1/2" Flange Iron Pipe Hub, only (Specify Model)	9901.3640	1
36B	1-1/2" Iron Pipe Riser, only w/ O-Ring (Specify Riser Fitting) (includes Item 26).....	9901.3760	1
37A	2" Flange Iron Pipe Hub, only (Specify Model) (not shown).....	9901.5640	1
37B	2" Iron Pipe Riser, only (Specify Riser Fitting) (not shown).....	9901.5760	1
43	WHJ-1590 Swivel Joint (VITON) - 1-1/2" 90 Deg FxFxVIC 1000 PSI	9930.4220	1
44	WHJ-290 Swivel Joint (VITON) - 2" FNPT x 1.5" FNPT x 2" VIC 90 Deg 600 PSI (not shown).....	9931.4210	1
56A	IV Series Brake Disc Guard, per P56A-00640 (Specify Left or Right).....	Specify Model	1
56B	1/8" FNPT Grease Zerk for Whip Hose	9965.0101	2
58A	SX-800 12V DC 2/3 HP 500 RPM Motor w/ Base Plate & Hardware (includes Items 25K & 58B)	9915.0361	1
58B	Aluminum Diecast Motor Base Plate for SX-800 w/ Mounting Bolts (includes Item 25K)	9915.0365	1
66	EPIV Motor Mounting Plate, per P66A-00190	9923.0030	1
72	146T40 Disc Sprocket - 23-1/2" Dia. (E-Coated)	9910.3128	1
87	Anodized Aluminum Threaded Spacer Pipe.....	Specify Model	6