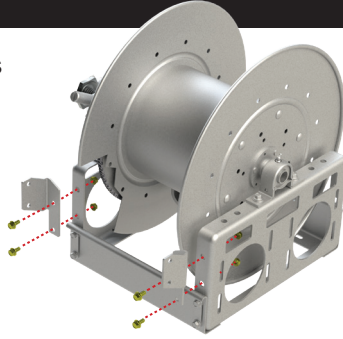


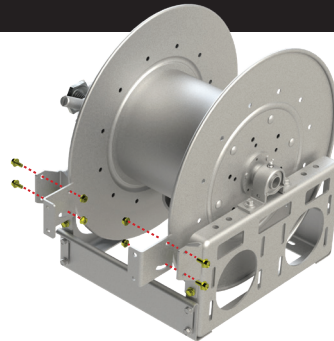
STEP 1

Install the wing brackets to the frame using four of the supplied 3/8"16 x 3/4" spinlock bolts and nuts.



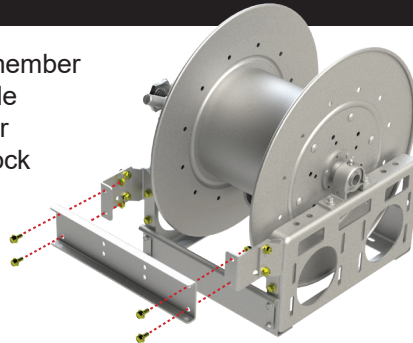
STEP 2

Next attach the angle brackets to the wing brackets using an additional four 3/8"16 x 3/4" spinlock bolts and nuts.



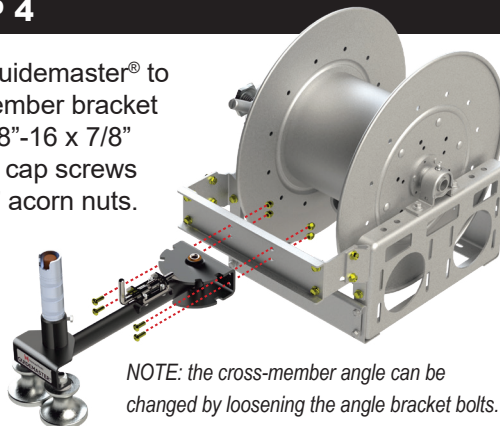
STEP 3

Attach the cross-member bracket to the angle brackets using four 3/8"16 x 3/4" spinlock bolts and nuts.



STEP 4

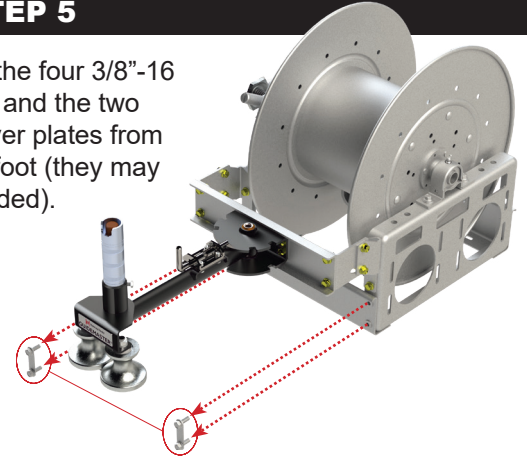
Attach the Guidemaster® to the cross-member bracket using four 3/8"16 x 7/8" Button Head cap screws and four 3/8" acorn nuts.



NOTE: the cross-member angle can be changed by loosening the angle bracket bolts.

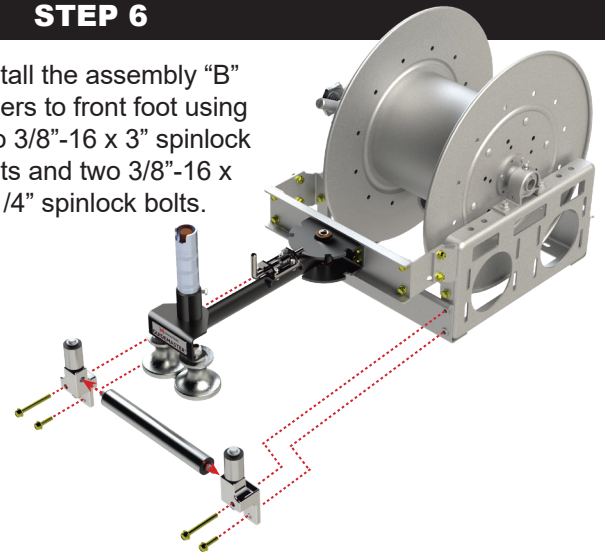
STEP 5

Remove the four 3/8"16 x 1" bolts and the two insert cover plates from the front foot (they may be discarded).



STEP 6

Install the assembly "B" rollers to front foot using two 3/8"16 x 3" spinlock bolts and two 3/8"16 x 1-1/4" spinlock bolts.



COMPLETED GM-X INSTALLATION

Refer to Technical Service Bulletin TSB 2013.08.006 (page 3) at hannay.com for Guidemaster® wiring instructions.

