

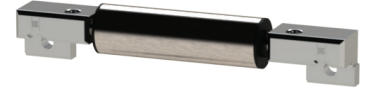
ASSEMBLY "A", "B" & "C" ROLLERS

ASSEMBLY "A2", "B2" & "C2" ROLLERS

A & A2 ROLLERS



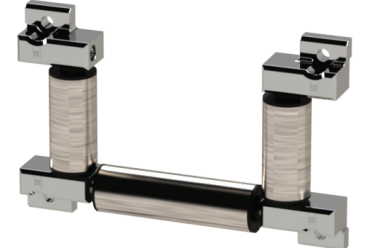
Used to prevent hose from going over the discs and prevent hose from rubbing on frame.



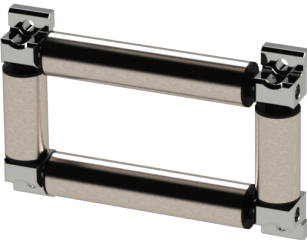
B & B2 ROLLERS



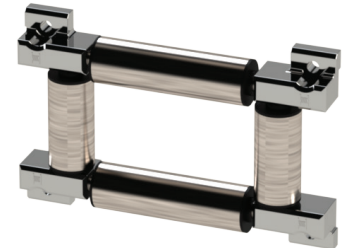
Guides Hose while allowing hose to come off the front or back of reel.



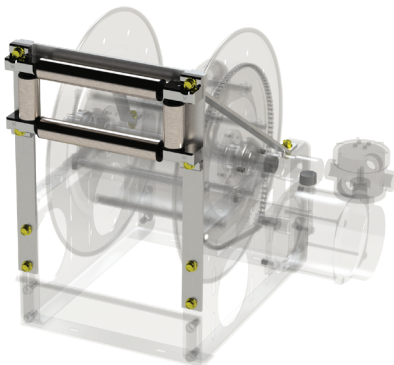
C & C2* ROLLERS



Fully captivated hose guide additionally allowing use of a hose stop.

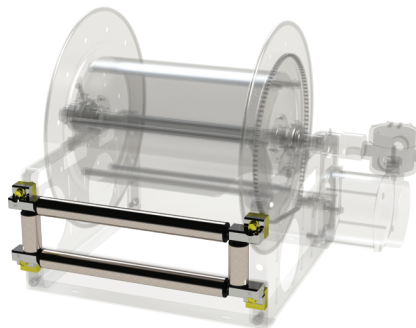


***NOTE:** "C2" rollers direct the hose toward the drum reducing the likelihood of the hose rubbing on the frame causing damage to the hose.



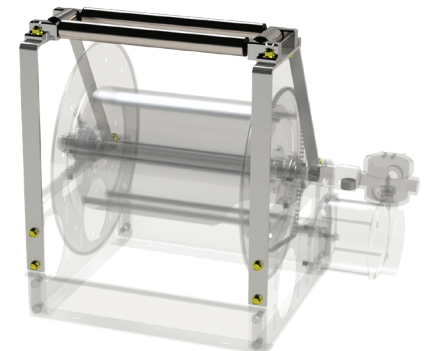
C2 rollers shown in Top Wind position:

Used on RT and LT reels keeps the hose high relative to the reel.



C2 Rollers shown in Bottom Wind position:

Used on RB and LB reels keeps the hose low relative to the reel.



C2 Rollers shown in Vertical Wind position:

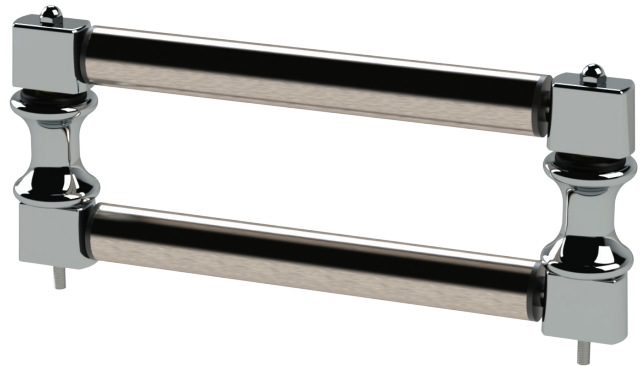
Used on RB and LB reels. Primarily used when the reel hangs from above to direct the hose down to the user or mounted on a wall with horizontal payout.

FH-3 ROLLERS

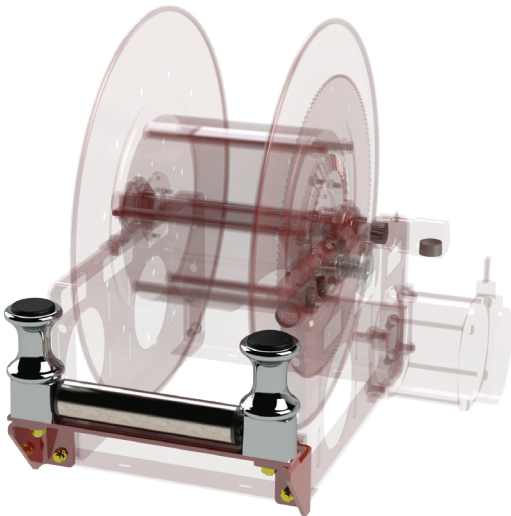


Standard FH Rollers allow front and rear mounting. Curved rollers contour to the hose.

FH-3 DOUBLE CAPTIVE ROLLERS

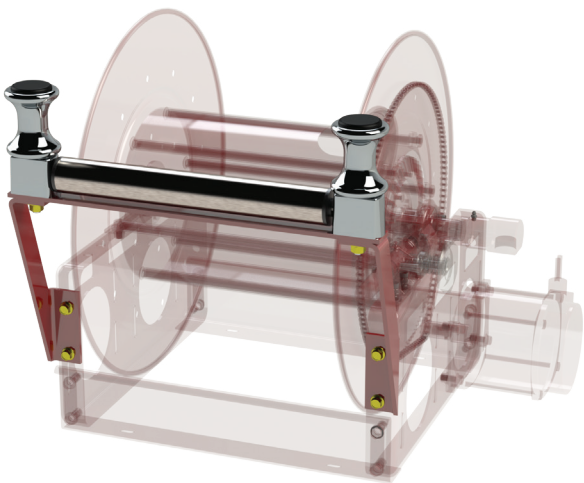


Fully captivated hose guide allowing use of a hose stop. Curved rollers contour to the hose.



FH Rollers in Bottom Wind position:

Used on RB and LB reels keeps the hose low relative to the reel.



FH Rollers in Top Wind position:

Used on RT and LT reels keeps the hose high relative to the reel.