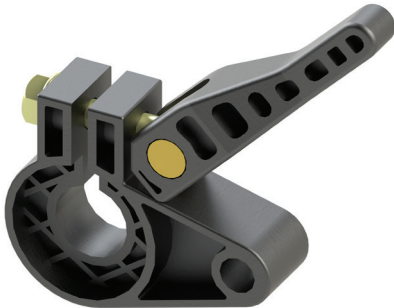




Unlocked Position:

The brake provides no resistance to rotation.



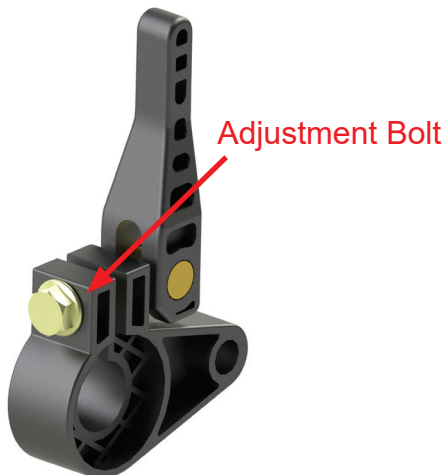
Drag Position:

The brake position provides an adjustable drag on the hub slowing rotation.



Locked Position:

The brake prevents rotation of the reel.



Drag Adjustment:

In unlocked position, tighten or loosen the adjustment bolt with a ½" (13mm) wrench to increase or decrease (respectively) the brake drag.