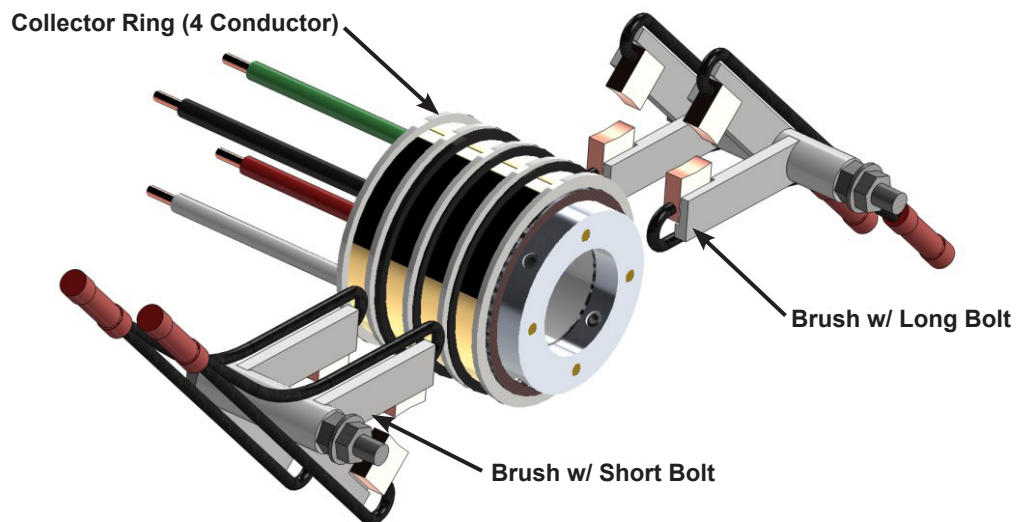


DESCRIPTION:

When the stationary brushes get worn down, they will eventually cease to make good contact with the moving collector rings and it is time to replace them. Your collector assembly might be 3-conductor, 4-conductor, or even higher, but the procedure is mostly the same. (The following example assumes a 4-conductor setup.)

ACTIONS REQUIRED:

1. **DISCONNECT ALL POWER** to the reel.
2. Remove the collector cover by unscrewing the 8 fasteners that hold it in place. Keep the cover, fasteners, and gasket together.
3. Remove the two brush assemblies by unscrewing the nuts at the end of their posts. Note which side the 1 & 3 conductor brush was on versus the 2 & 4 conductor brush. To finish the removal procedure, you may have to temporarily loosen the set screws on the collector ring itself and pull it towards you to assist in removing the brush assemblies.
4. Use cutting pliers to sever the 6-gauge cable from the old brush assemblies. Try to cut as close to the assemblies as possible so that you keep the maximum amount of cable when installing the new brushes. Strip about a 1/4" from the ends of these 6-gauge cables in preparation for the next step.
5. Install the new brushes, reversing the procedure outlined in step 3.
6. Crimp the cables to their appropriate connectors.
3-conductor: Black is '1', white is '2', green is '3'.
4-conductor: Black is '1', white is '2', red is '3', green is '4'.
7. Re-install the collector cover and re-connect power.



Hannay Reels recommends periodically applying a deoxidizing solution on the slip rings and brushes to preserve, lubricate, and improve conductivity. Deoxit D5 (manufactured by CAIG Laboratories) is an example of such a deoxidizing agent.