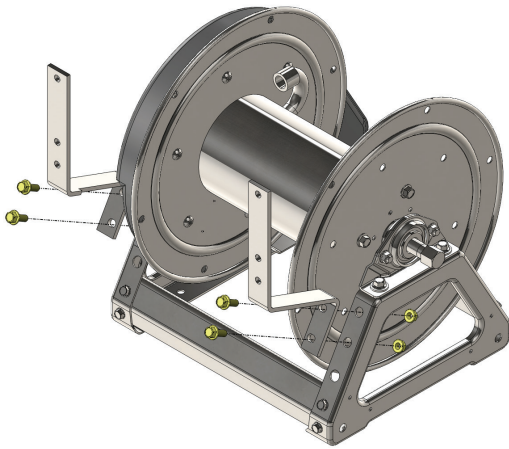


ACTIONS REQUIRED

NOTE: FAILURE TO FOLLOW THESE INSTRUCTIONS MAY VOID THE WARRANTY
For schematic parts listing, please refer to Hannay parts list ISO-115 (Utility Hose Rollers).

STEP 1

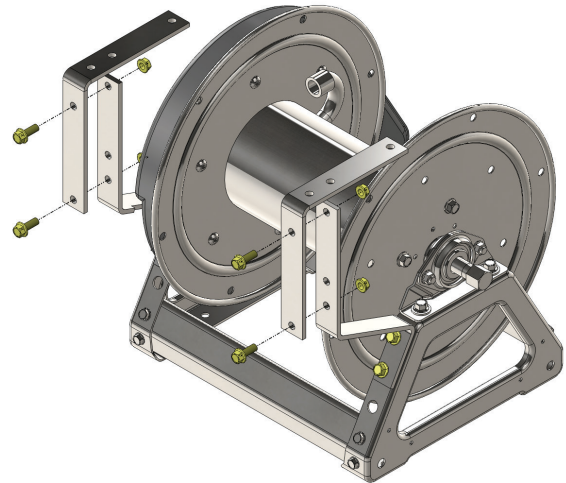
Install the two vertical "legs" of the bracket with four 3/8" bolts and nuts. **NOTE:** The notches in the side brackets need to go towards the INSIDE of the reel. The motor chain guard will interfere with one of the vertical brackets if the notch is not positioned correctly.



Roller Mounting Leg alignment, Note the notch alignment

STEP 2

Attach the right-hand "L" bracket to the right-hand vertical bracket and tighten with two 3/8" bolts and nuts. Now repeat this step for the left-hand "L" bracket.



Roller Mounting "L" Bracket, Please note that the bracket leg with 3 holes is the horizontal top leg

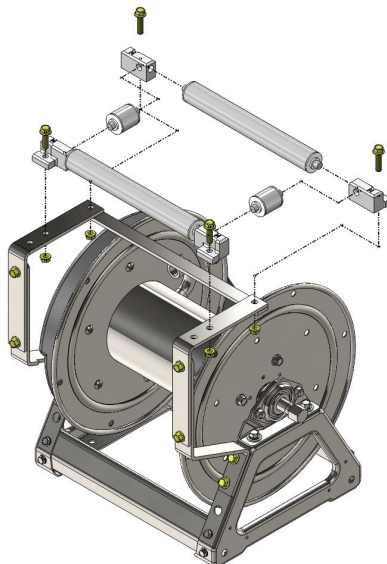
STEP 3

Loosely attach 4 corner blocks with provided 3/8" hardware.

For an Assy. "C" roller, 4 blocks are identical.

For an Assy. "C2" roller, 2 of the blocks are marked "L" and the other 2 blocks are marked "R".

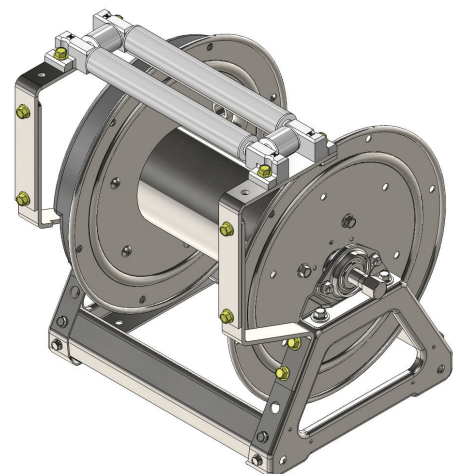
Now insert 4 SST rollers (with provided rods & bushings) into corner blocks one at a time. When all 4 rollers are positioned correctly, align & tighten up corner blocks.



Roller ready to be attached to the Reel

STEP 4

NOTE: There will be unused mounting holes when you are finished. This is because we provide two different vertical roller lengths. Just use the appropriate mounting holes for the rollers that have been provided to you in the kit.



Completed Reel with Rollers Attached