

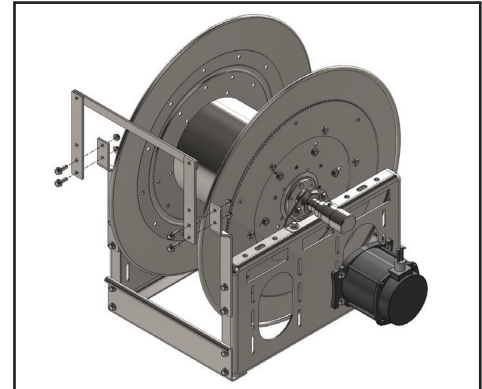
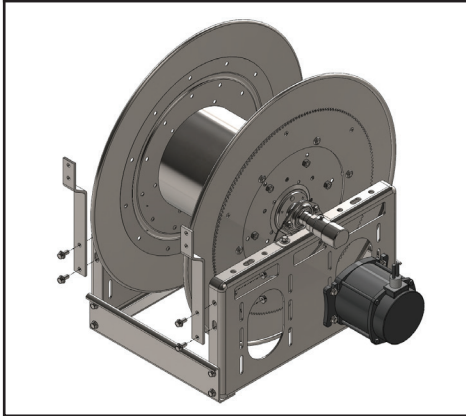
ACTIONS REQUIRED

NOTE: FAILURE TO FOLLOW THESE INSTRUCTIONS MAY VOID THE WARRANTY

For schematic parts listing, please refer to Hannay parts list ISO-115 (Utility Hose Rollers).

STEP 1

Install the two "legs" of the bracket with four 3/8" bolts and nuts. If you have a bevel gear crank rewind on your reel, make sure that you use the bracket with the crank rewind opening for that side of the reel.

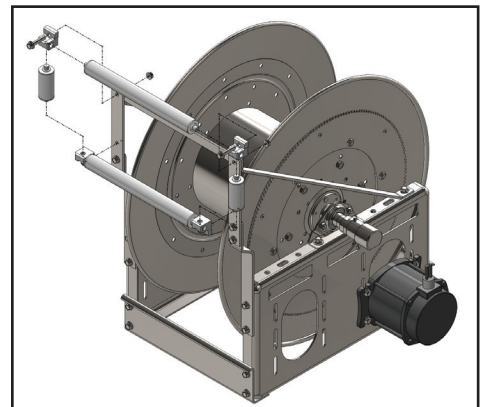
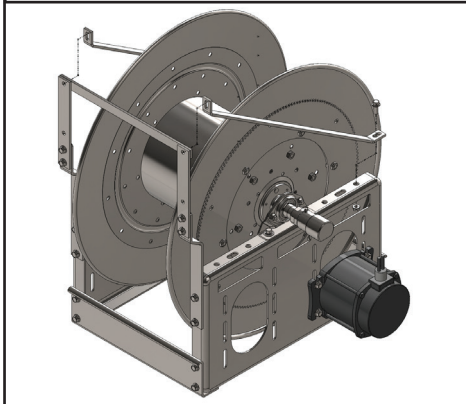


STEP 2

Install cross-member piece, using four 3/8" bolts & nuts. **IMPORTANT:** horizontal portion of the brace must be behind the vertical braces as you are looking at the reel from the front.

STEP 3

Install the two diagonal braces next, again, using four 3/8" bolts & nuts. Use the slots in these braces to position the brackets before tightening all of the fasteners down.



STEP 4

Install the bottom horizontal roller, using two of the provided four mounting blocks and two 3/8" bolts & nuts

STEP 5

Install 3 remaining rollers using the other two mounting blocks & 3/8" hardware. Tighten all fasteners. Completed reel with rollers.

