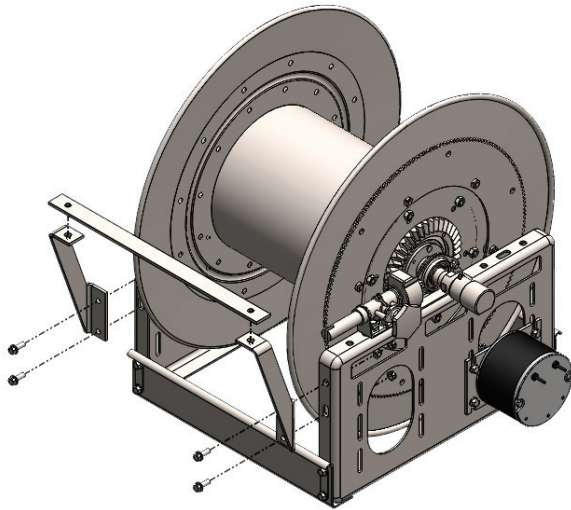


ACTIONS REQUIRED

NOTE: For schematic parts listing, please refer to Hannay parts list ISO-114 (FH-3 Roller & Spool Assembly).

STEP 1

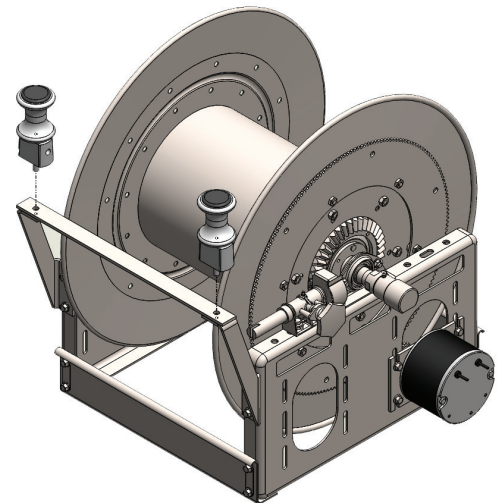
Install the two "legs" of the bracket with four 3/8" bolts and nuts as shown. After tightening, place the horizontal cross-member piece on top of the two side bracket legs so the mounting holes align.



STEP 2

Install the right-hand FH-3 Spool/Block Assembly onto the top of the right-hand mounting hole, securing the assembly from underneath the bracket leg with the provided 7/16" heavy hex nut. Do NOT tighten nut.

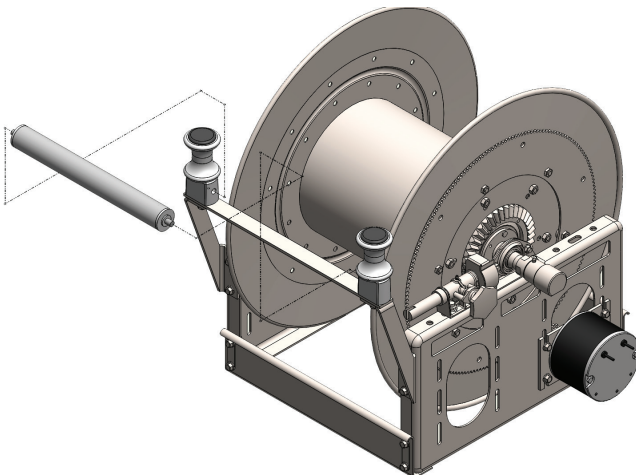
Repeat the FH-3 Spool/Block Assembly installation for the left-hand side.



STEP 3

Install the 2" diameter SST horizontal roller tubing assembly into position by putting the SST roller rod ends into the chrome block rod holes as shown.

You may need to rotate the blocks slightly in order to fit the rod into the holes.



STEP 4

After the rod is positioned, turn the left and right roller blocks back into proper alignment. Now tighten the 7/16" nuts to secure the roller assembly in place. Spin the horizontal roller to make sure it is not bound. Installation is complete.

