

IMPORTANT!

MAKE SURE ALL TENSION FROM THE SPRING HAS BEEN REMOVED BEFORE STARTING, OTHERWISE INJURY MAY OCCUR.

ACTIONS REQUIRED:

1. Release spring tension by carefully allowing the reel to spin until no longer powered by the spring.
2. Remove Dust Cap and, if present, spring side swivel joint.

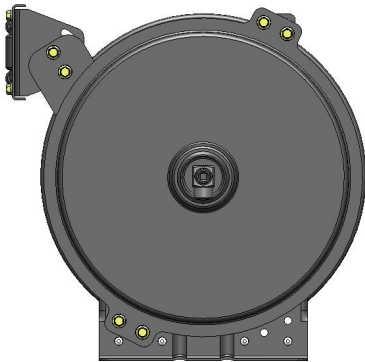


FIGURE 1: Side view of assembled reel

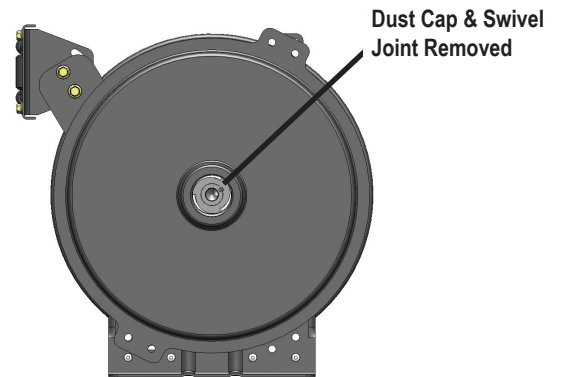


FIGURE 2: Dust cap and swivel (if present) removed.

3. Loosen all bolts holding the spring to the reel; depending on the model there may be up to 4 bolts. Note: when the lower bolts are removed, the spacer will fall from behind the spring. Figure 3 depicts an "N-Series" reel; if you have a standard reel it may appear different.
4. Carefully remove the spring by sliding it off the center shaft. If the spring is larger, assistance may be needed to remove the spring. The spring motor clutch arbor should now be visible as it should remain attached to the shaft.

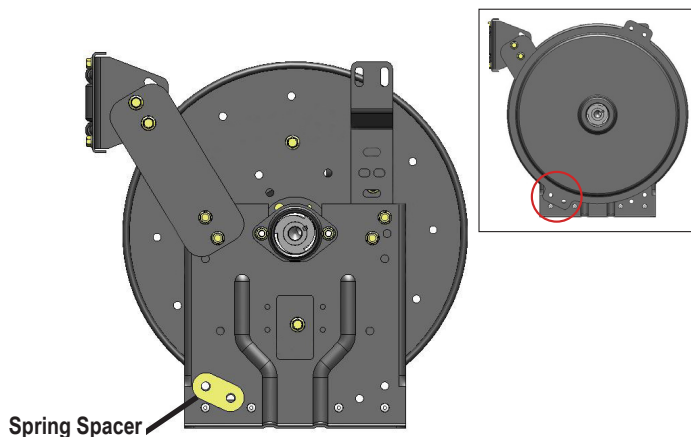


FIGURE 3: View showing spring reel with spring and hardware removed, and spring spacer (normally blocked by spring - see inset).

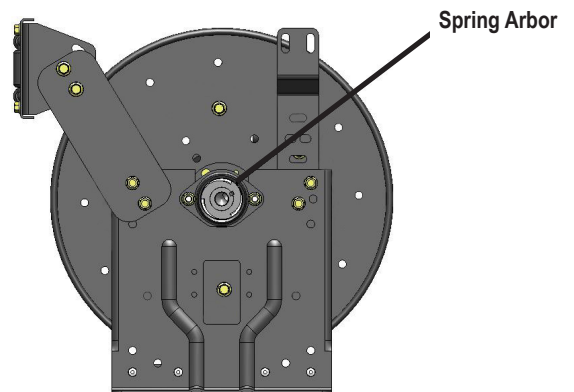


FIGURE 4: Reel with spring and hardware removed

5. Position the new spring onto the reel, making sure to engage the hooked end of the spring on one of the 3 arbor lobes. Again, some assistance may be needed.
6. Retighten the bolts and spacers removed in step 3 and replace the dust cap and swivel joint from step 2.
7. Re-tension the reel. Refer to TSB 2013.07.005 Installing Hose or cable on a Spring Retractable Reel, available at www.hannay.com.